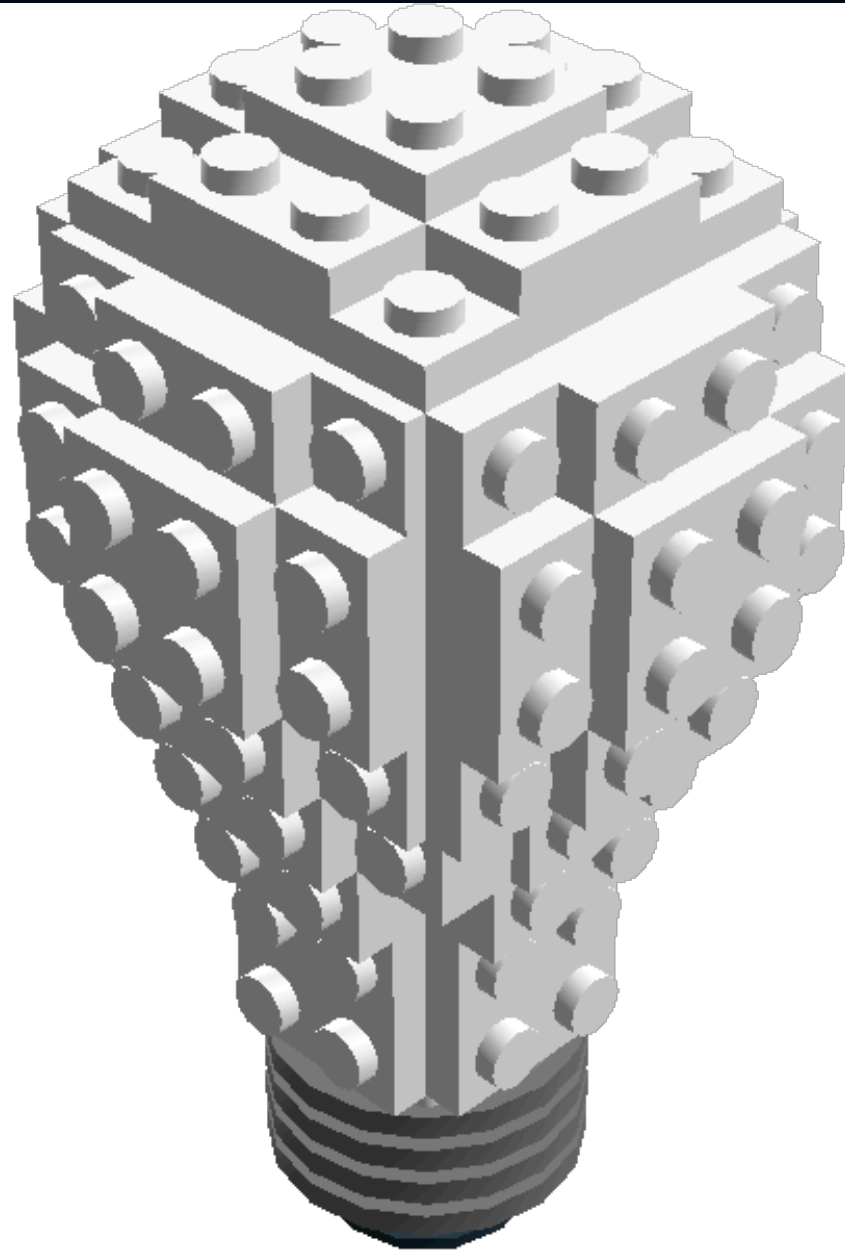




Model Name:
lightbulb

Number of Bricks: 78

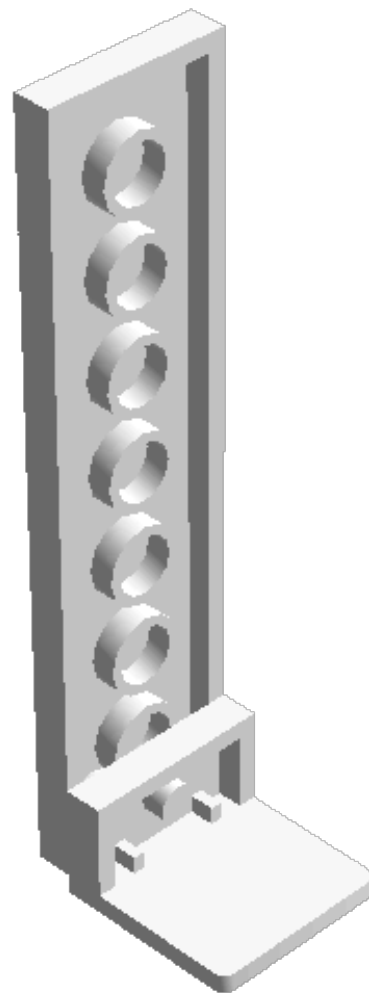


Step 1 of 21

1 x



1 x



Step 2 of 21

1 x



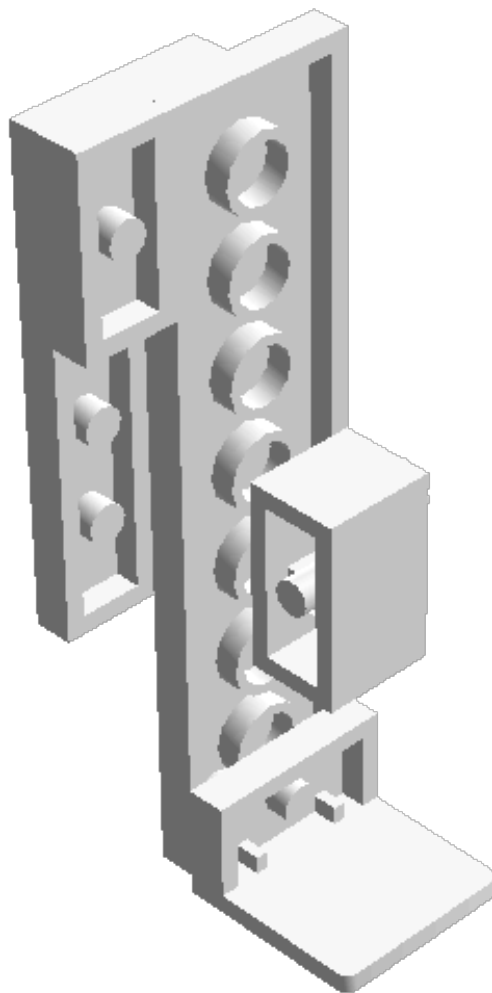
1 x



1 x



1 x



Step 3 of 21

1 x



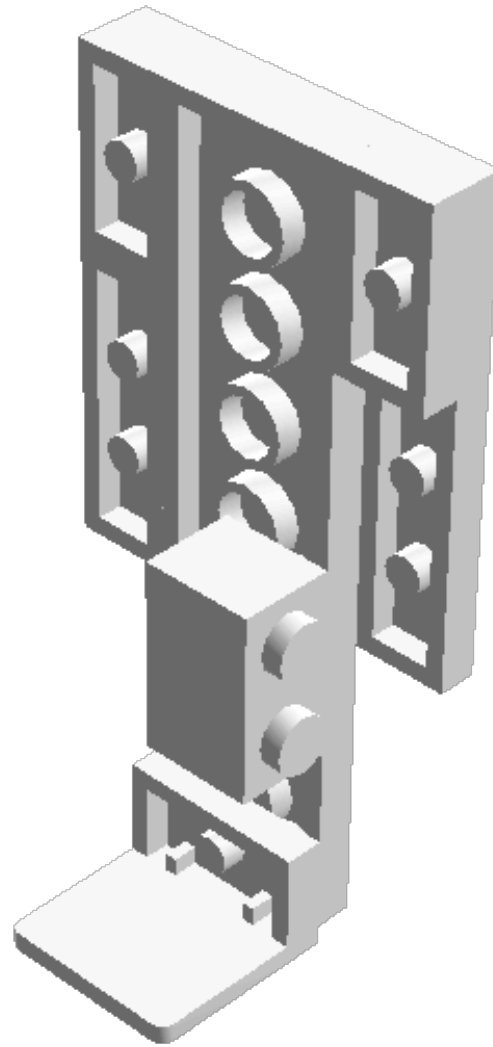
1 x



1 x



1 x

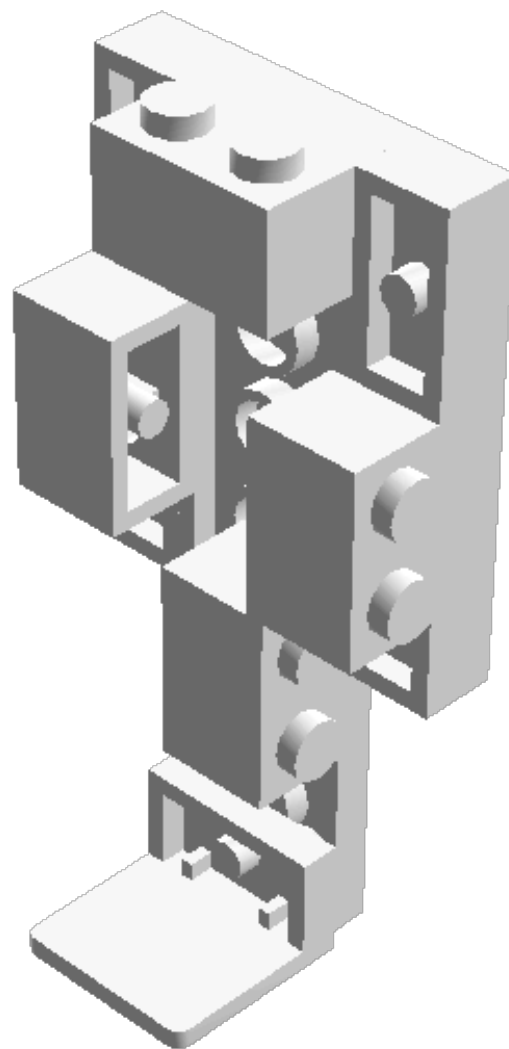


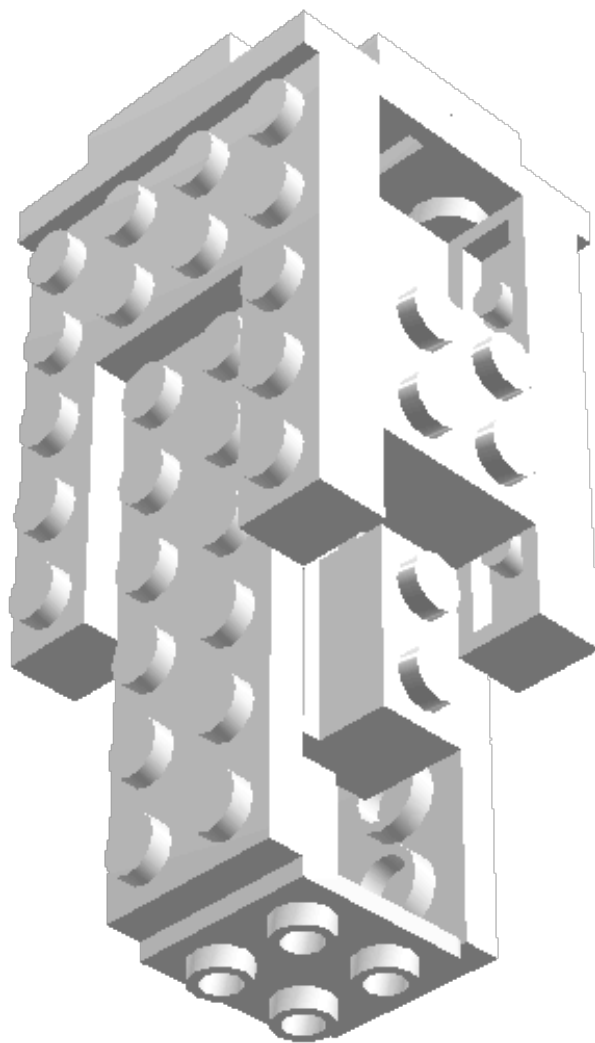
Step 4 of 21

3 x



1 x





Step 6 of 21

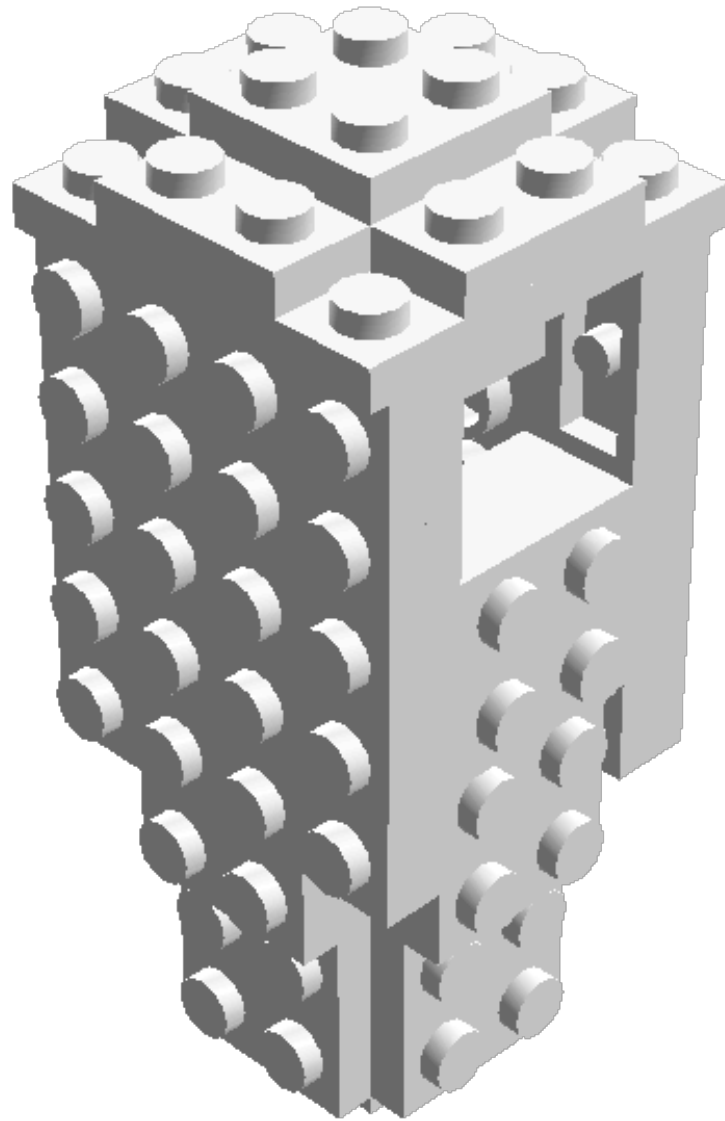
1 x



2 x



1 x



Step 7 of 21

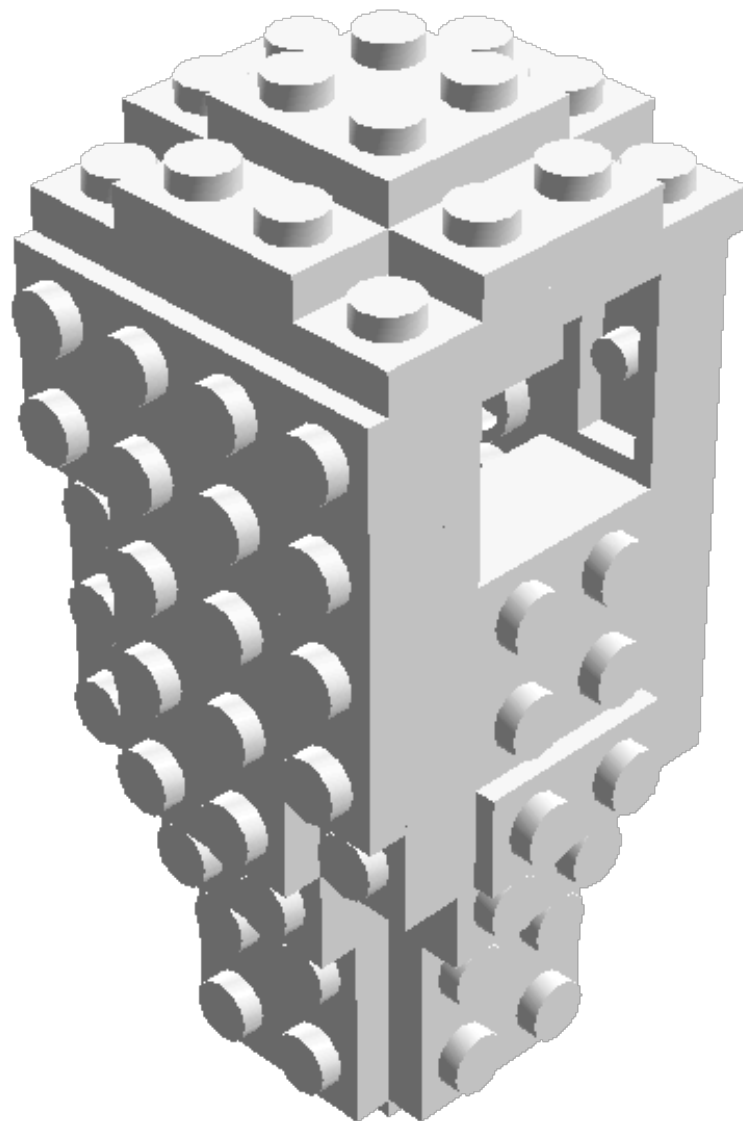
2 x



1 x



1 x



Step 8 of 21

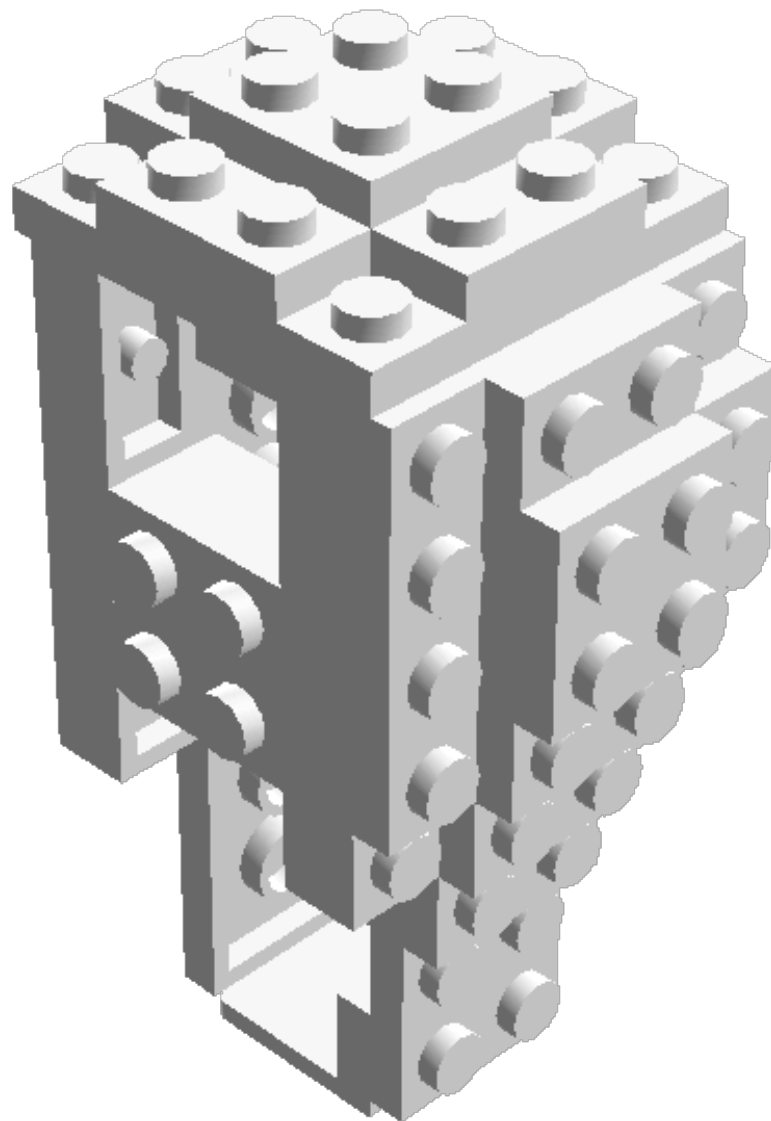
2 x



1 x



1 x



Step 9 of 21

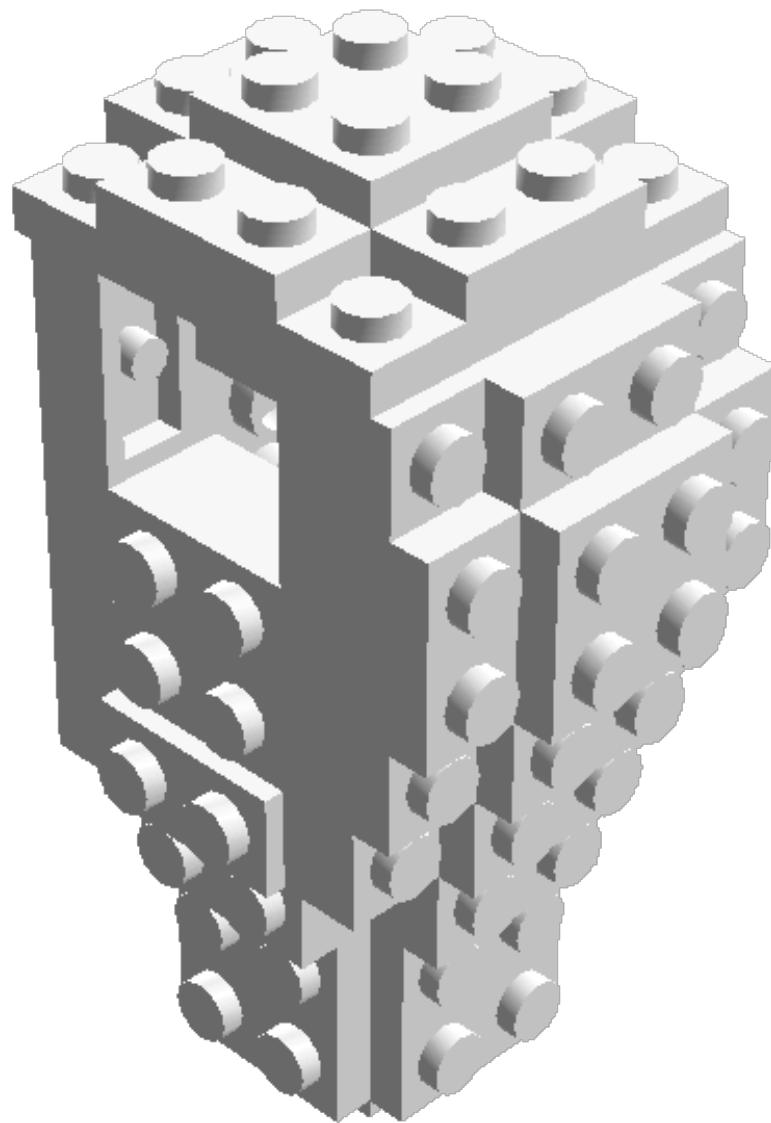
2 x



1 x



1 x



Step 10 of 21

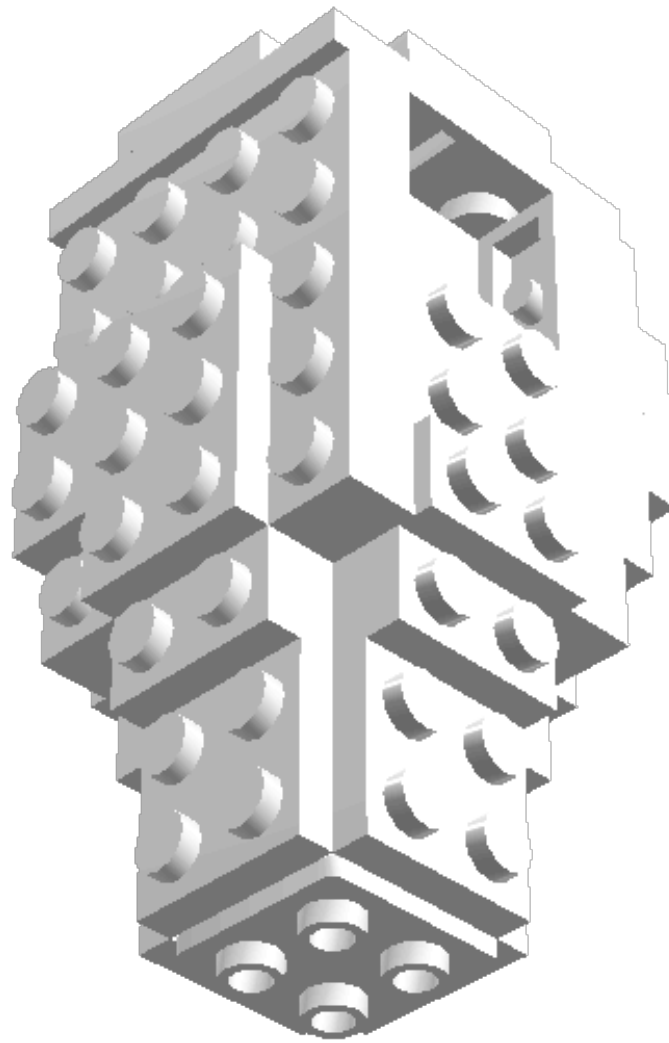
1 x



2 x



1 x

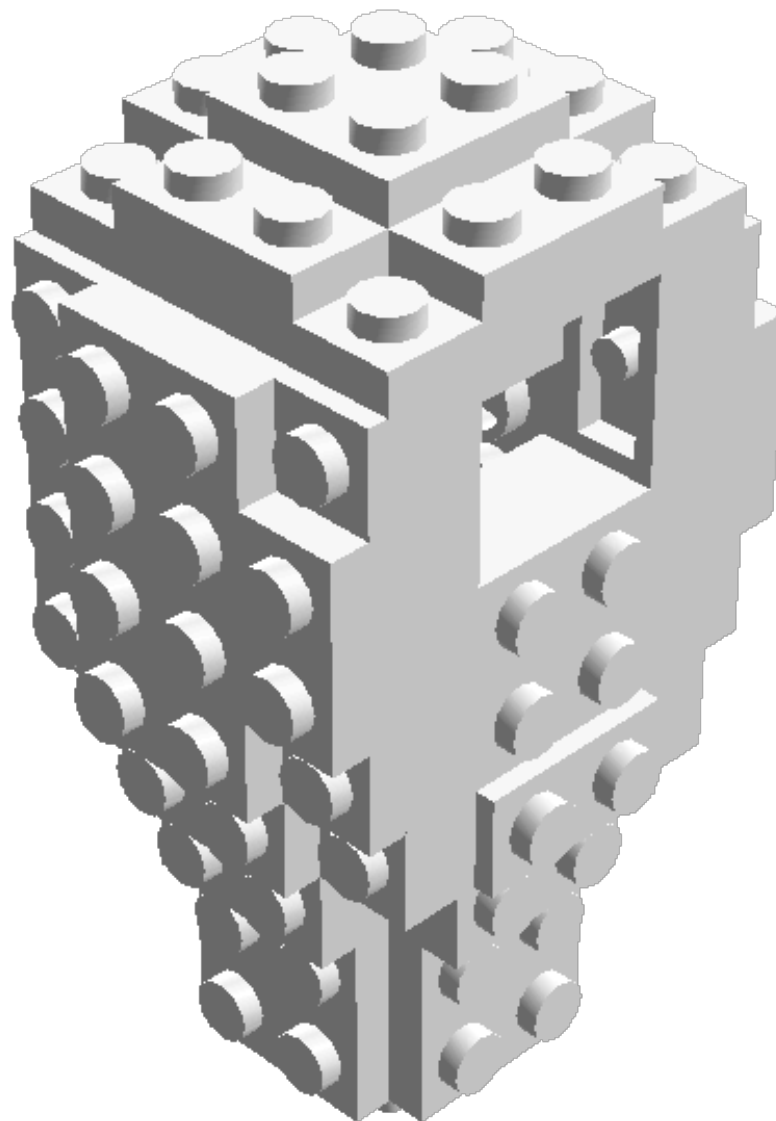


Step 11 of 21

2 x



2 x

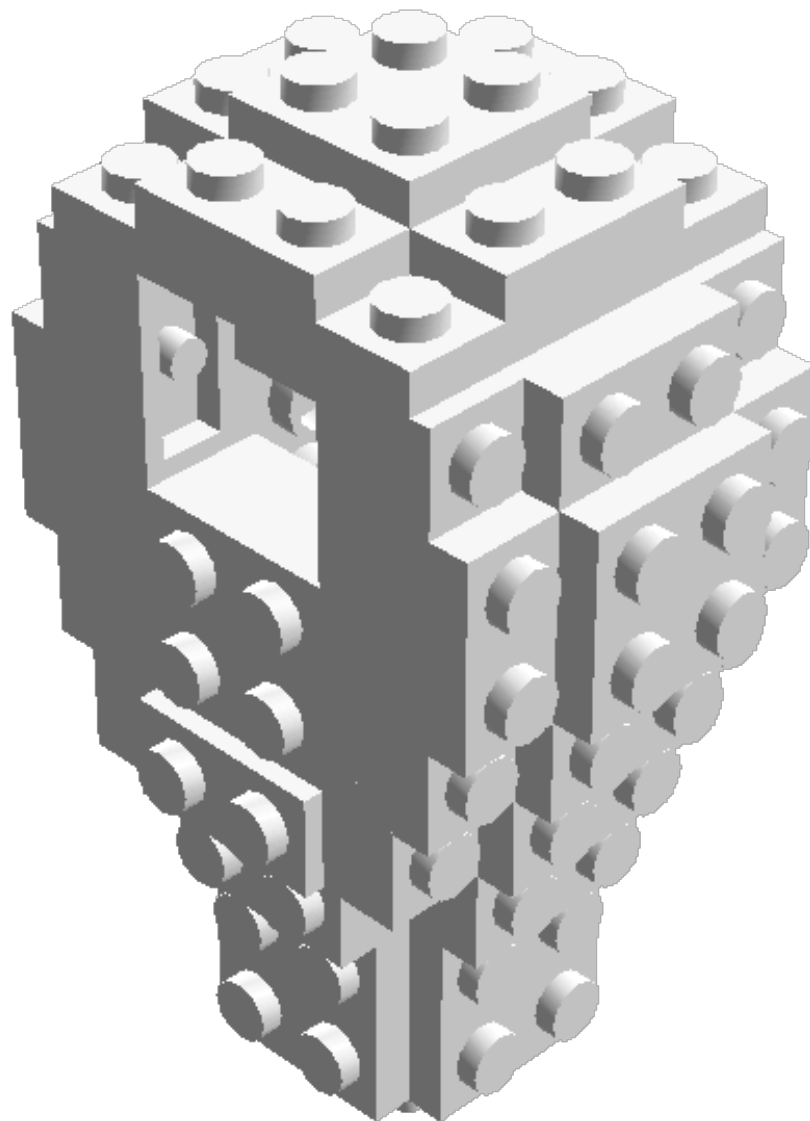


Step 12 of 21

1 x



1 x

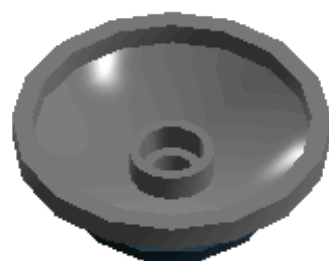


Step 13 of 21

1 x



1 x



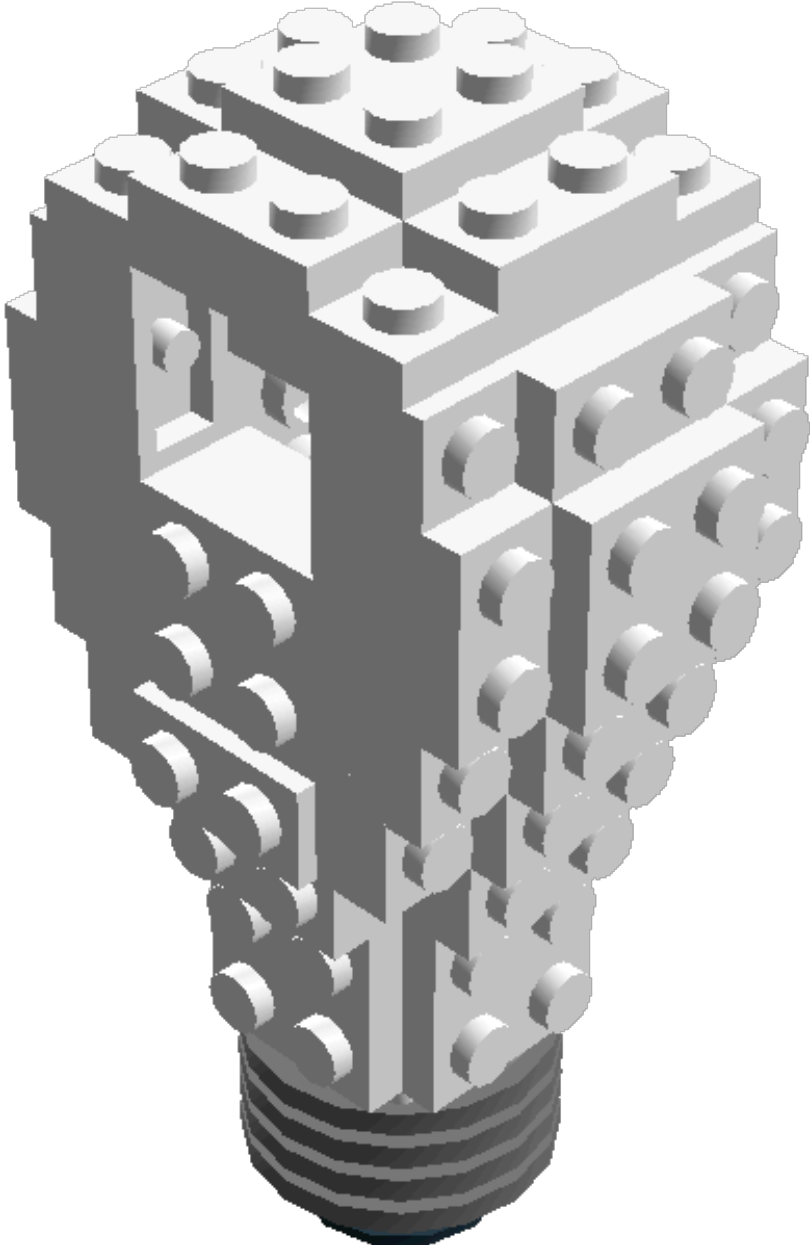
Step 14 of 21

1 x



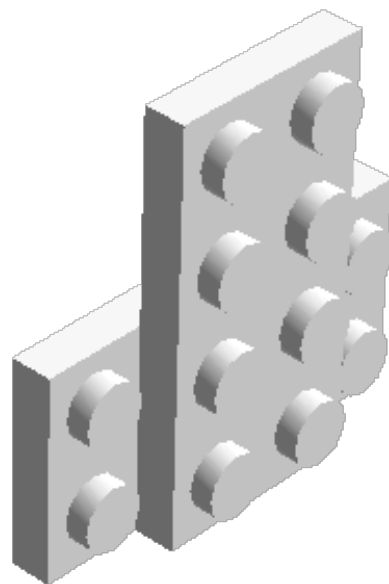
3 x





Step 16 of 21

2 x



Step 17 of 21

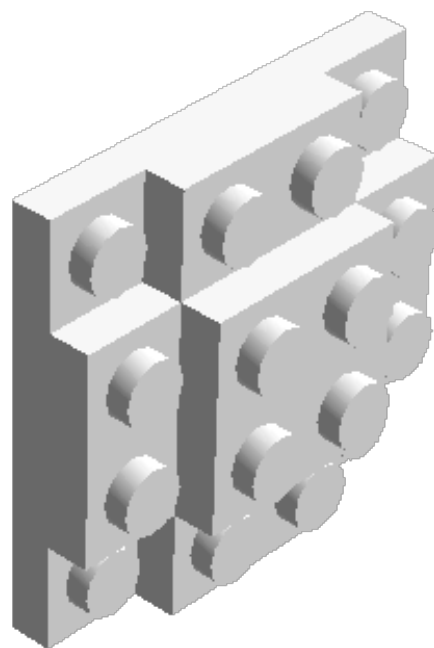
2 x

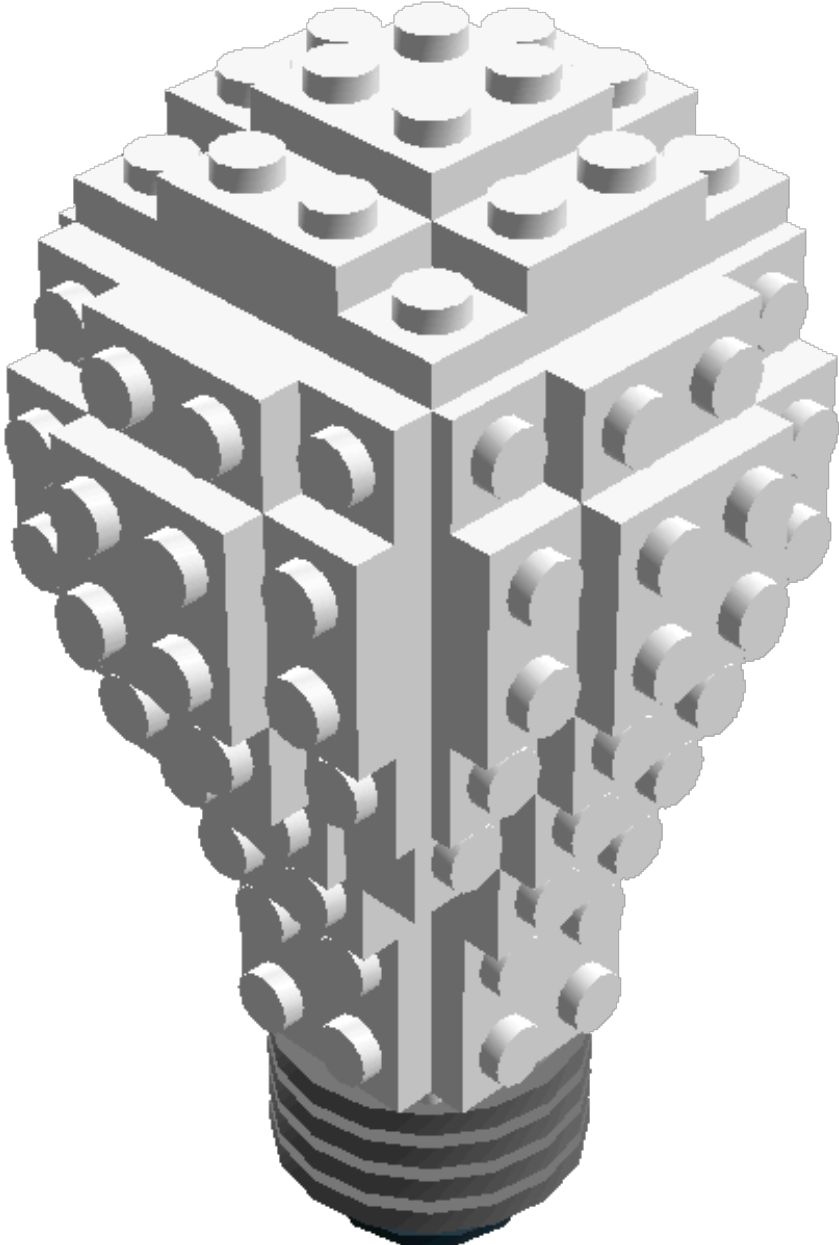


1 x



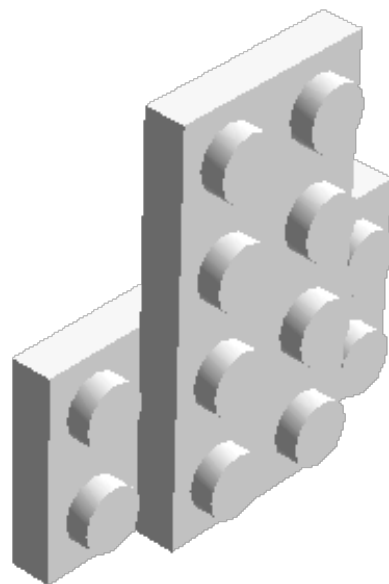
1 x





Step 19 of 21

2 x



Step 20 of 21

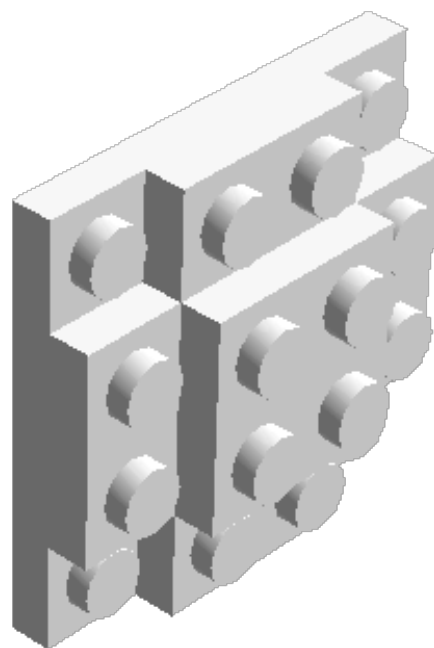
2 x

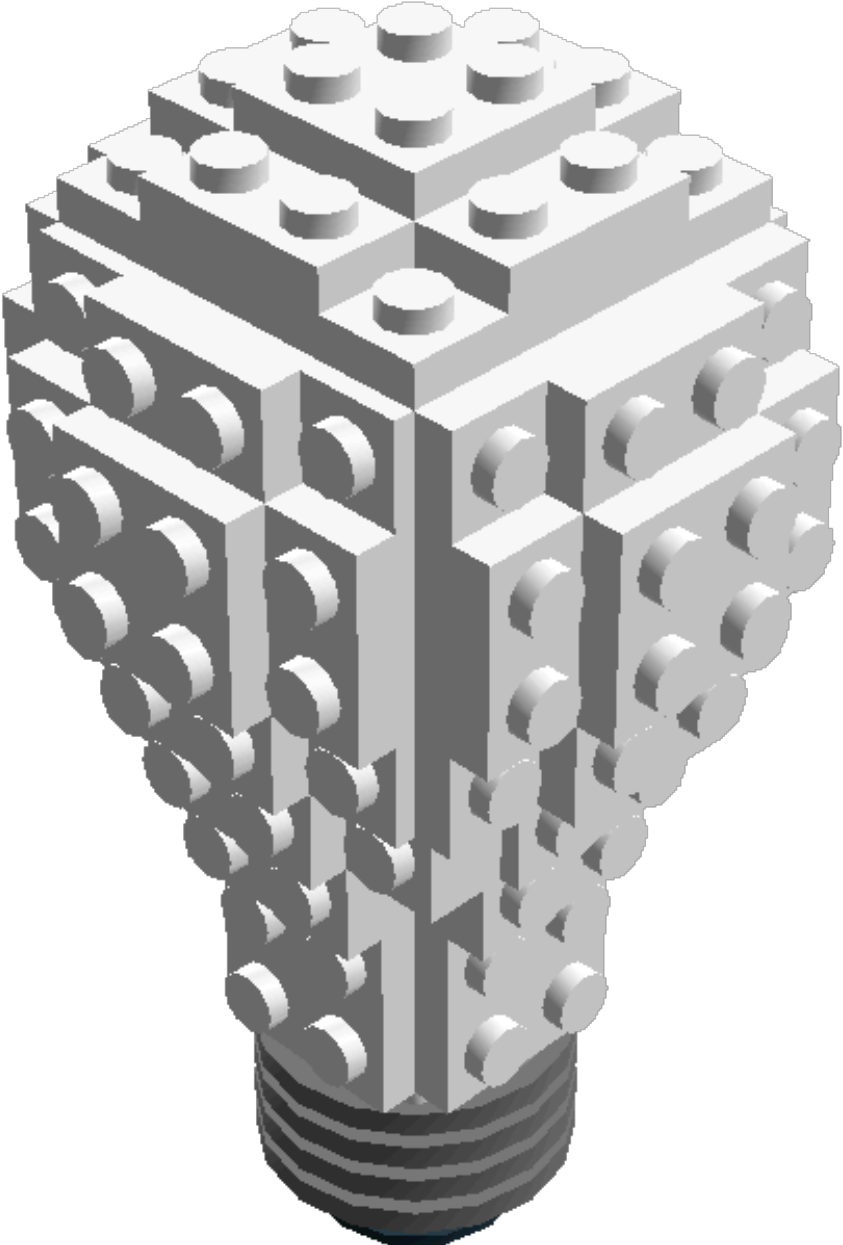


1 x





1 x








4 x  6058177 BRICK 1X2 W. 2 KNOBS - White


16 x  302301 PLATE 1X2 - White


2 x  362301 PLATE 1X3 - White


2 x  242001 CORNER PLATE 1X2X2 - White

6 x  302201 PLATE 2X2 - White


6 x  371001 PLATE 1X4 - White


2 x  302101 PLATE 2X3 - White

12 x  302001 PLATE 2X4 - White

1 x  303401 PLATE 2X8 - White

1 x  614126 PLATE 1X1 ROUND - Black

1 x  474026 SATELLITE DISH Ø16 - Black

4 x  4210865 PARABOLIC REFLECTOR Ø24X6,4 - Dark Stone Grey

1 x  4203147 ANGLE PLATE 1X2 / 2X2 - White

© 2012 The LEGO Group. All rights reserved.
Use of the LEGO Digital Designer html print tool, signifies your agreement to the terms of use.