

Model Name:
Hummer

Number of Bricks: 813



Step 1 of 319

1 x



Step 2 of 319

1 x



Step 3 of 319

1 x



Step 4 of 319

4 x



Step 5 of 319

1 x

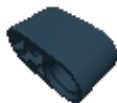


Step 6 of 319

1 x



1 x



1 x



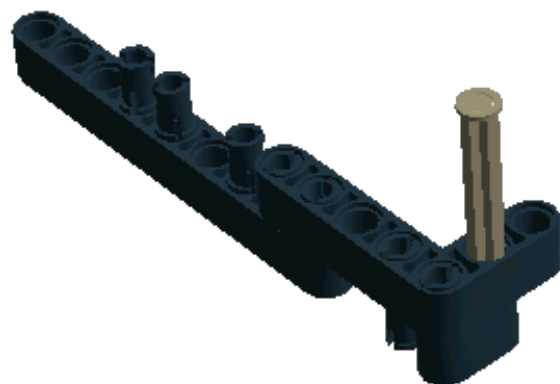


Step 8 of 319

1 x



1 x



Step 9 of 319

1 x



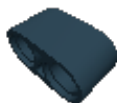
2 x





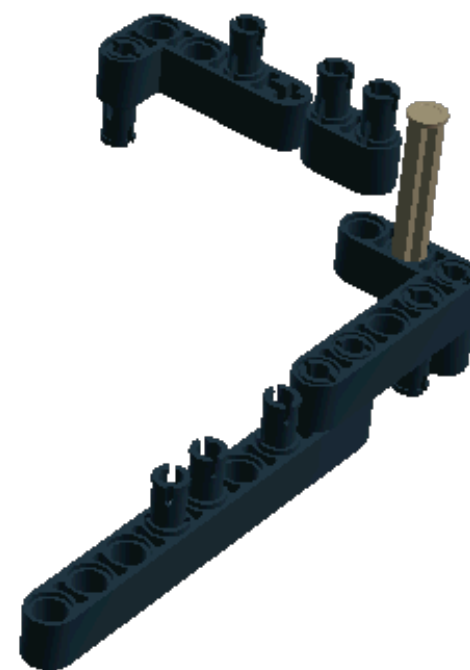
Step 11 of 319

1 x



2 x



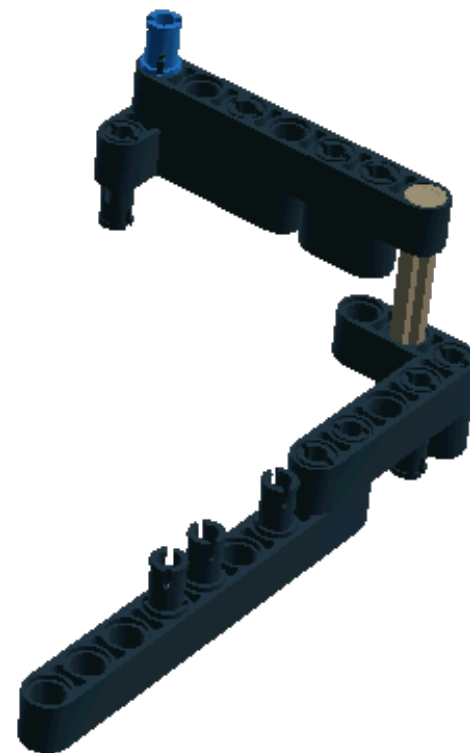


Step 13 of 319

1 x



1 x



Step 14 of 319

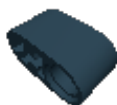
1 x



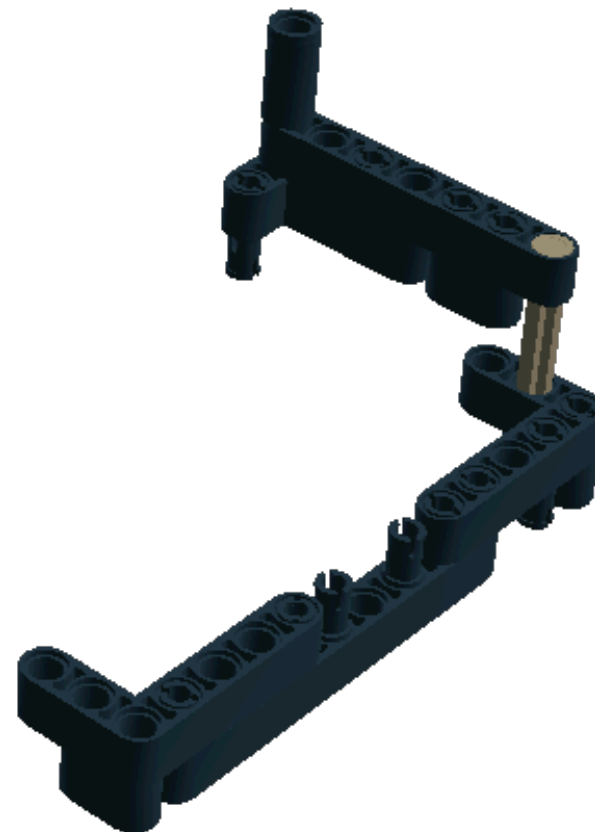
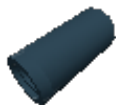
1 x



1 x



1 x

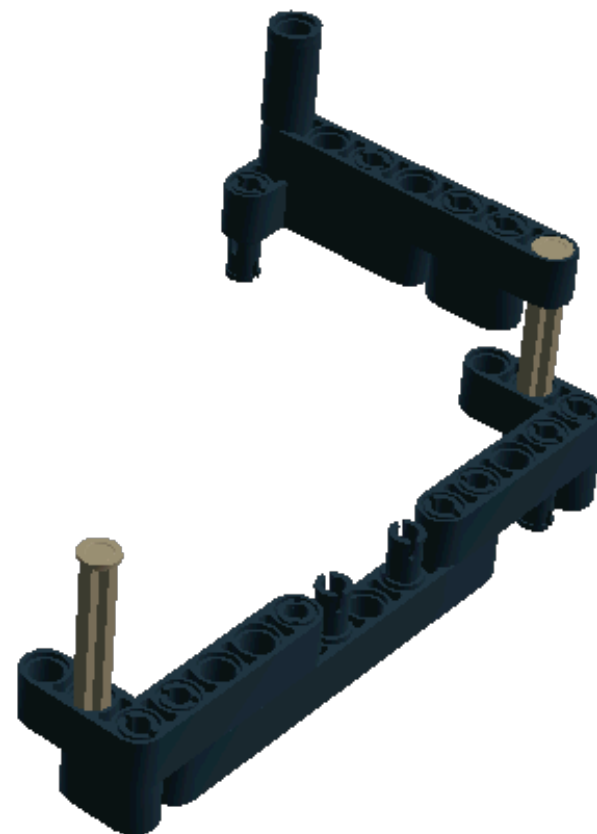


Step 15 of 319

1 x



1 x



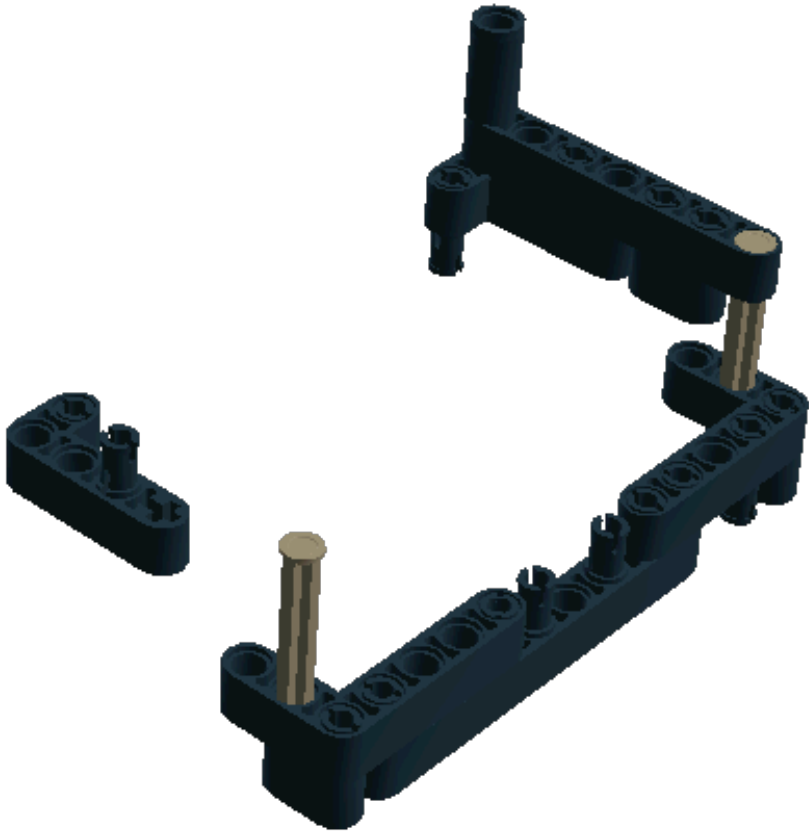
Step 16 of 319

1 x



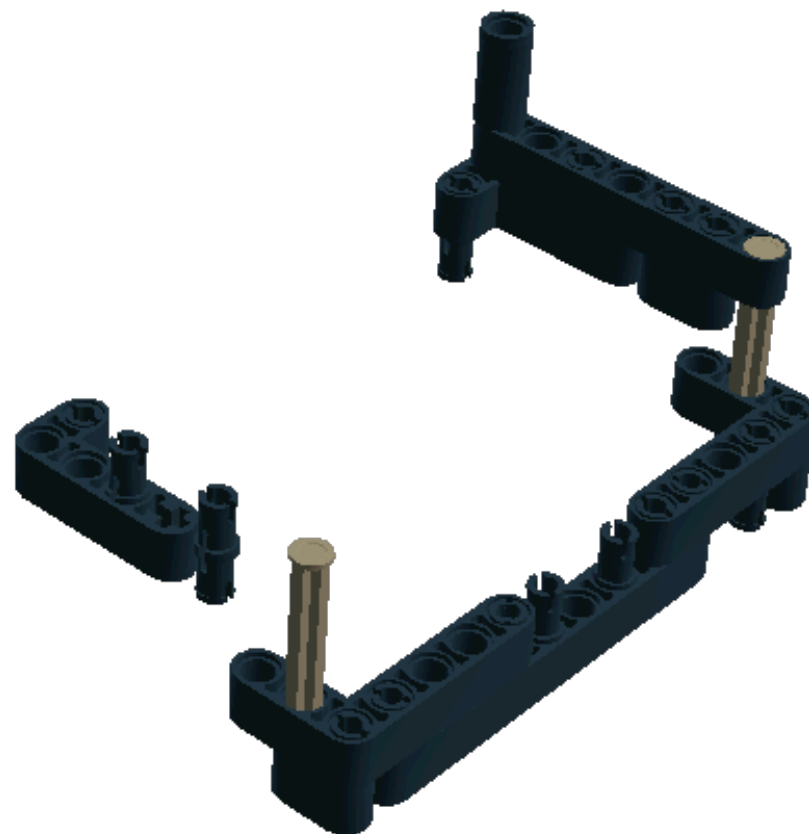
2 x





Step 18 of 319

1 x



Step 19 of 319

1 x



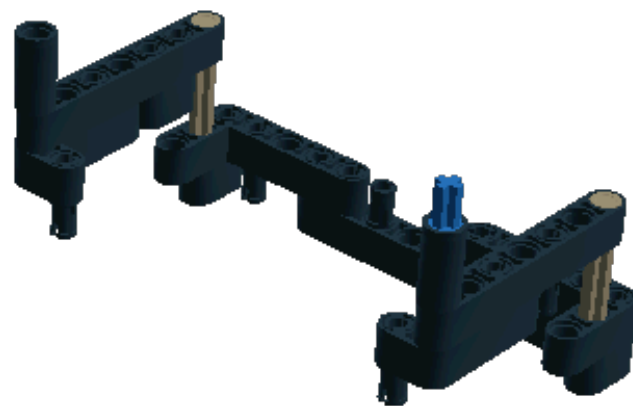
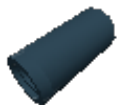
1 x



1 x

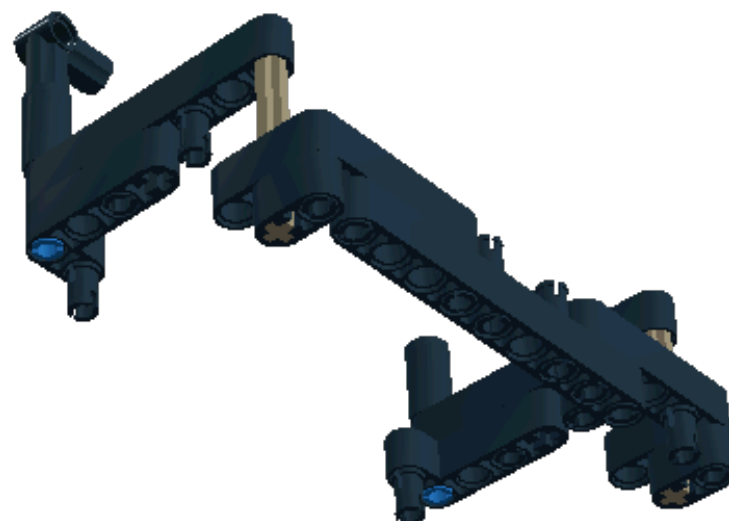


1 x



Step 20 of 319

1 x



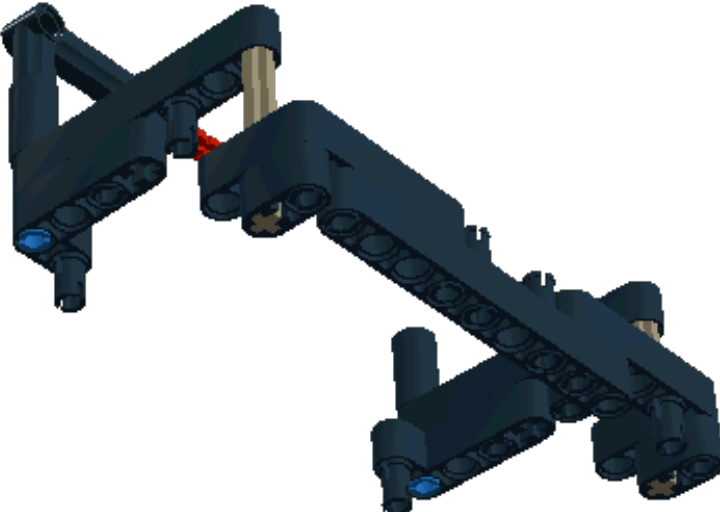
Step 21 of 319

1 x



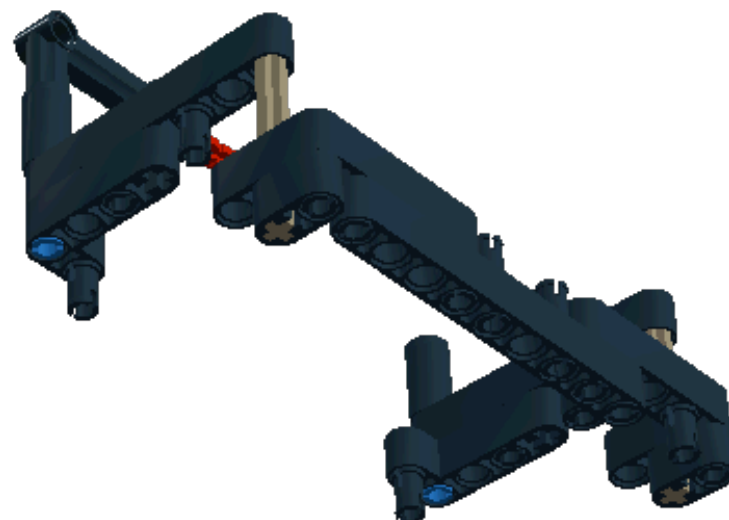
1 x





Step 23 of 319

1 x

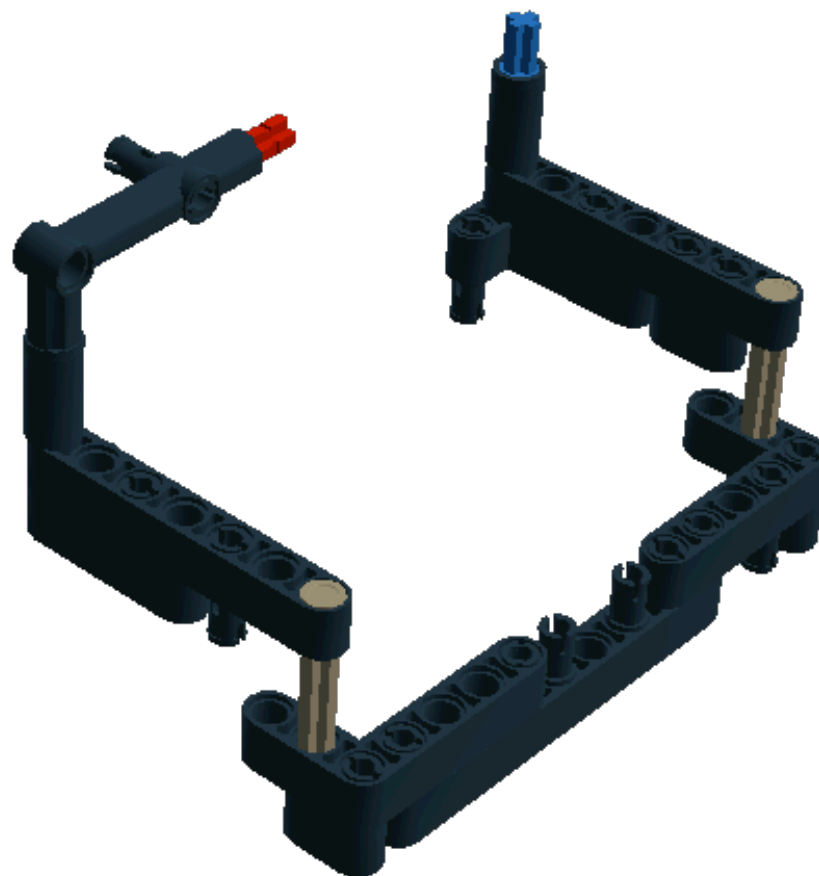


Step 24 of 319

1 x

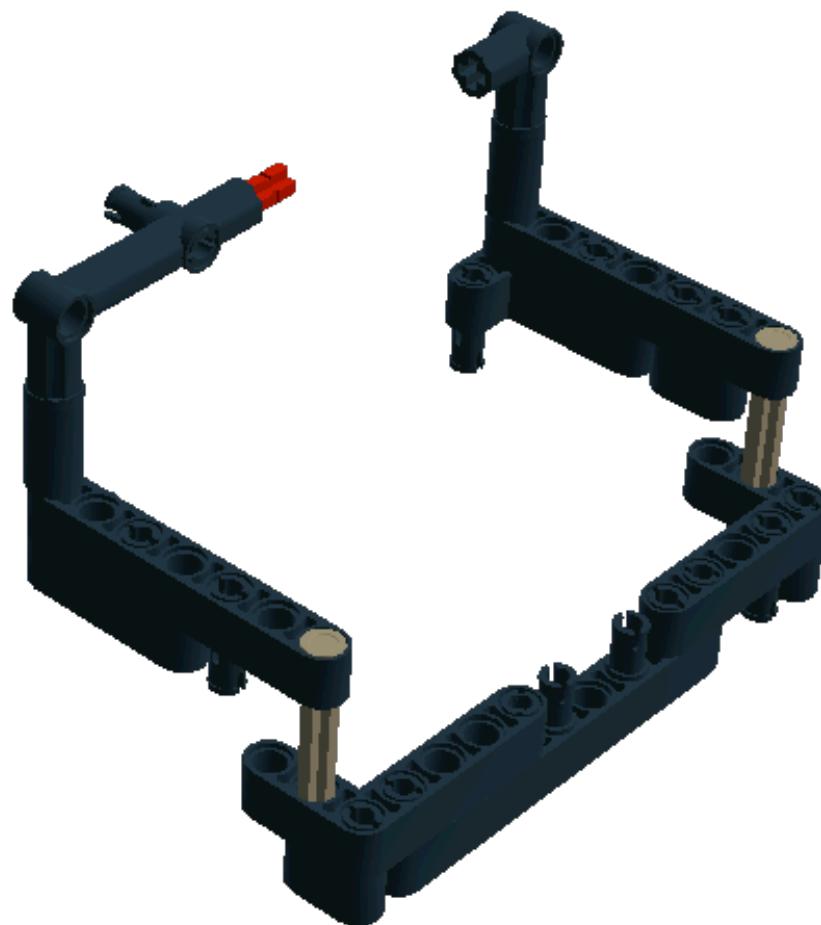


1 x



Step 25 of 319

1 x



Step 26 of 319

1 x

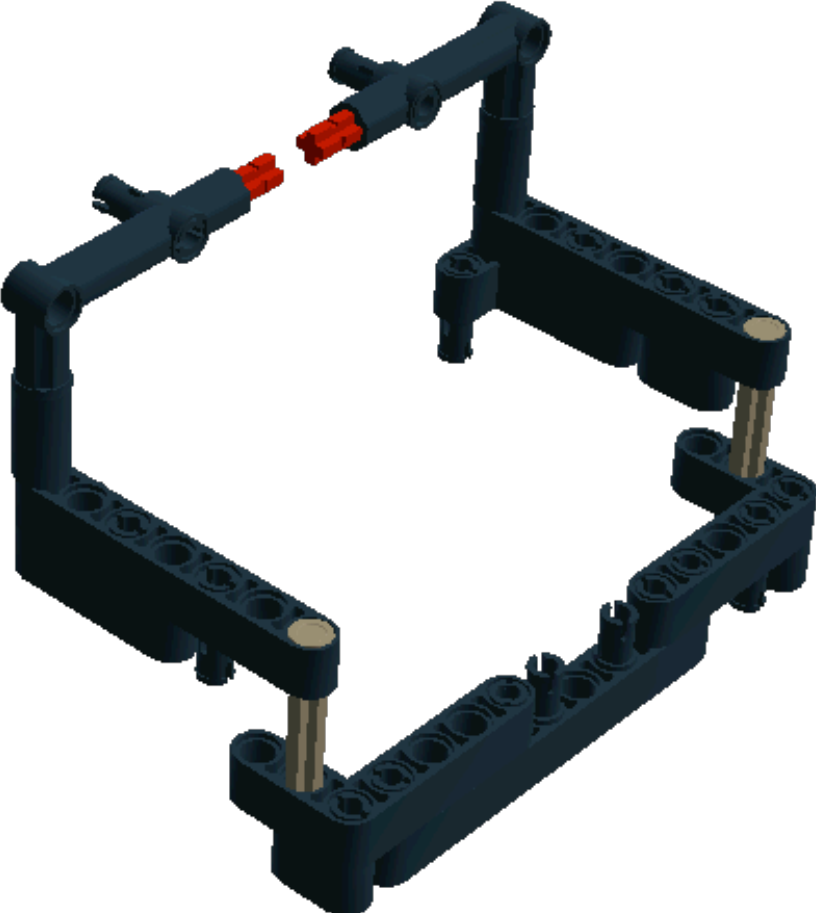


1 x



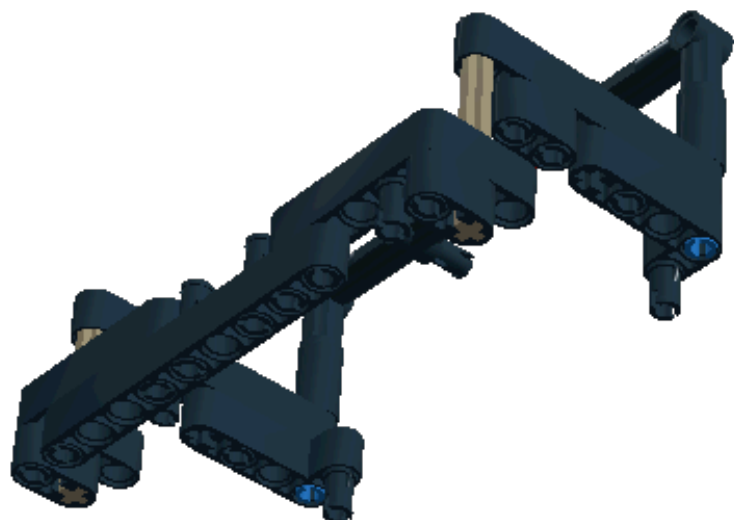
1 x





Step 28 of 319

1 x

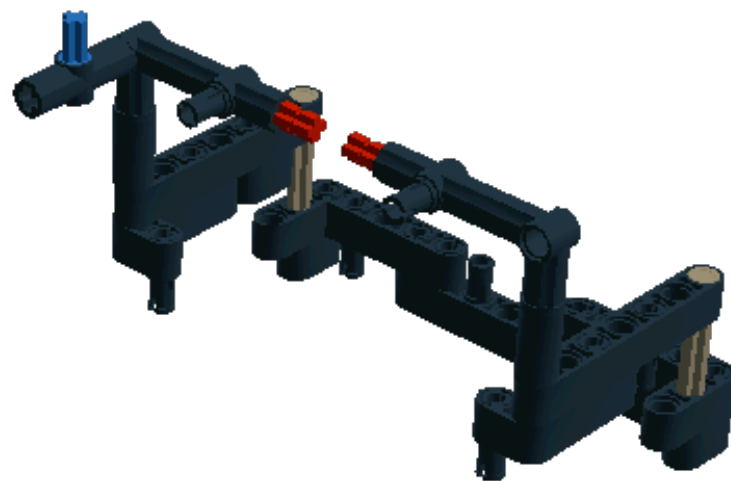


Step 29 of 319

2 x



1 x

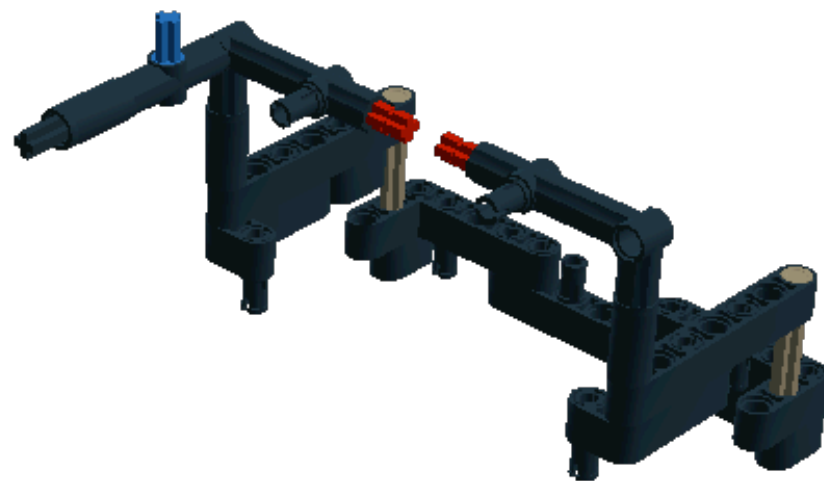
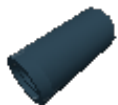


Step 30 of 319

1 x

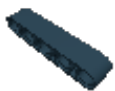


1 x

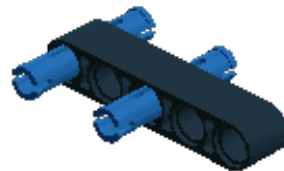


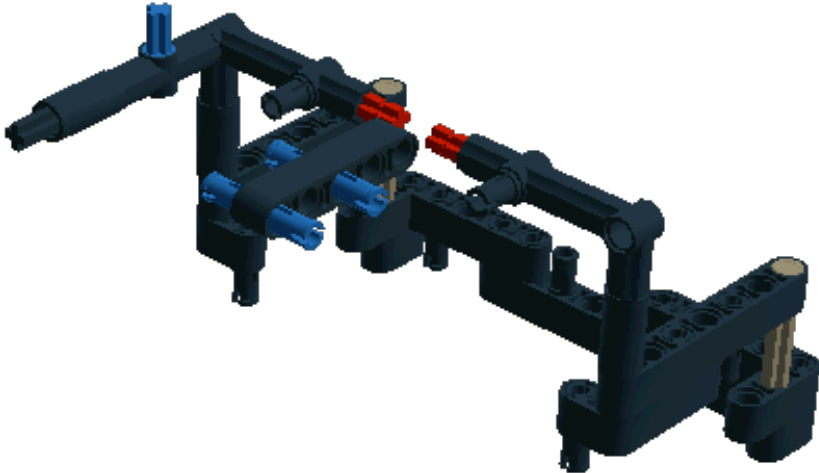
Step 31 of 319

1 x



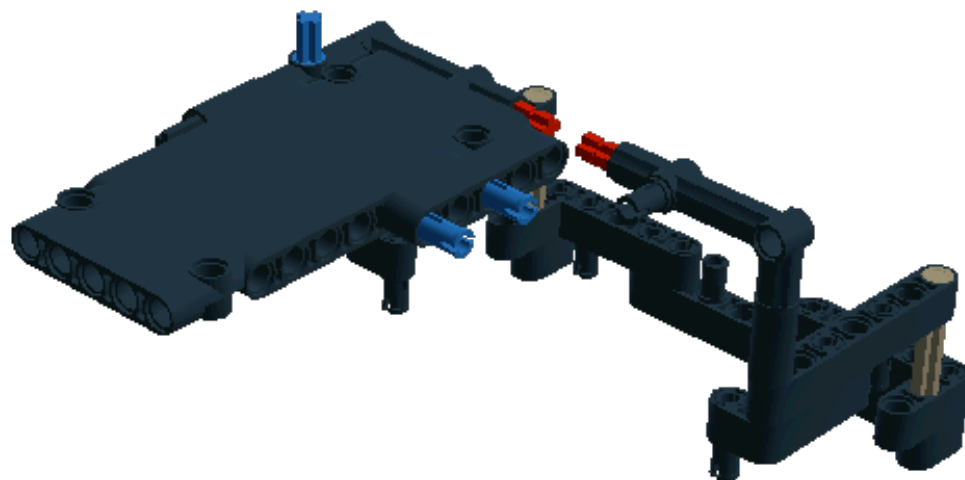
2 x





Step 33 of 319

1 x



Step 34 of 319

1 x



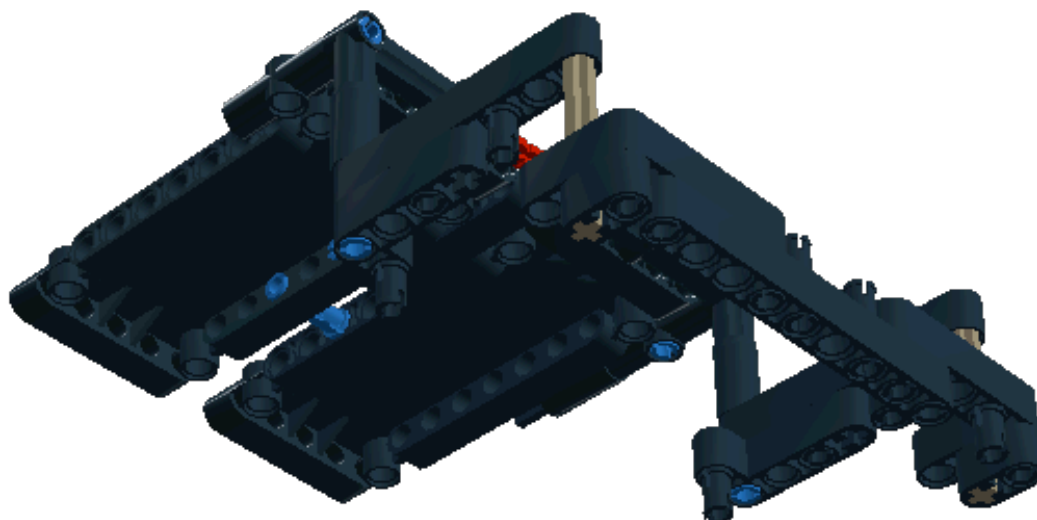
1 x



1 x



1 x



Step 35 of 319

1 x



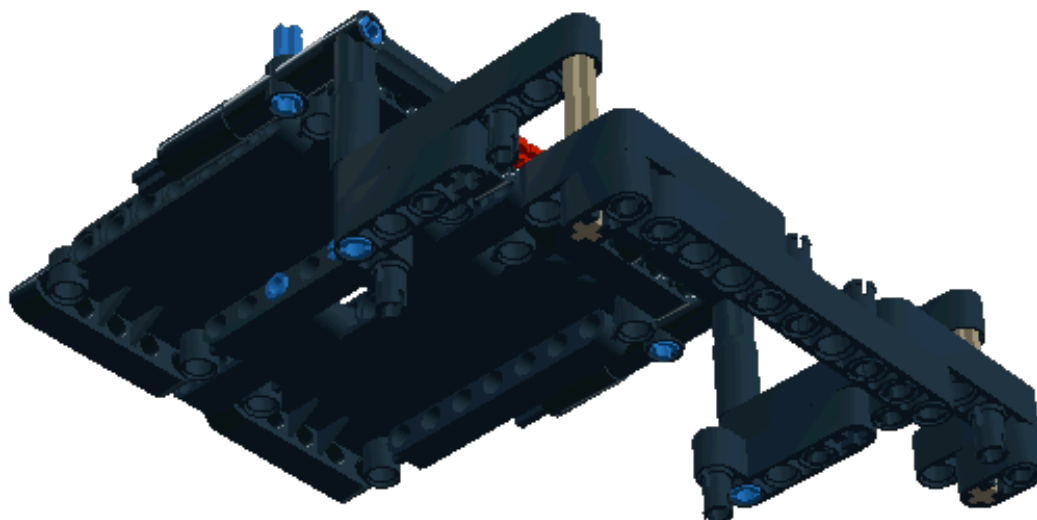
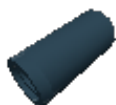
1 x



1 x



1 x

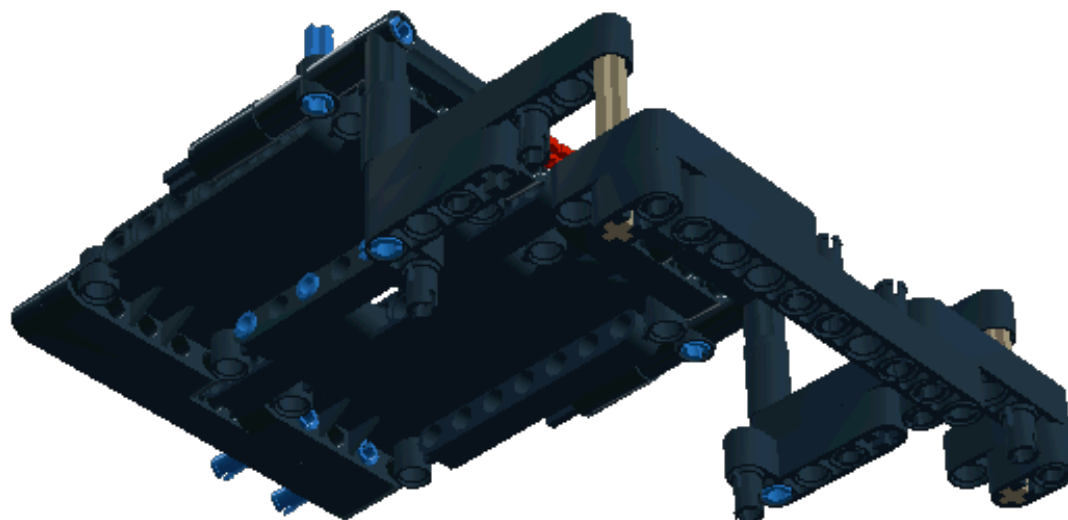


Step 36 of 319

1 x



3 x



Step 37 of 319

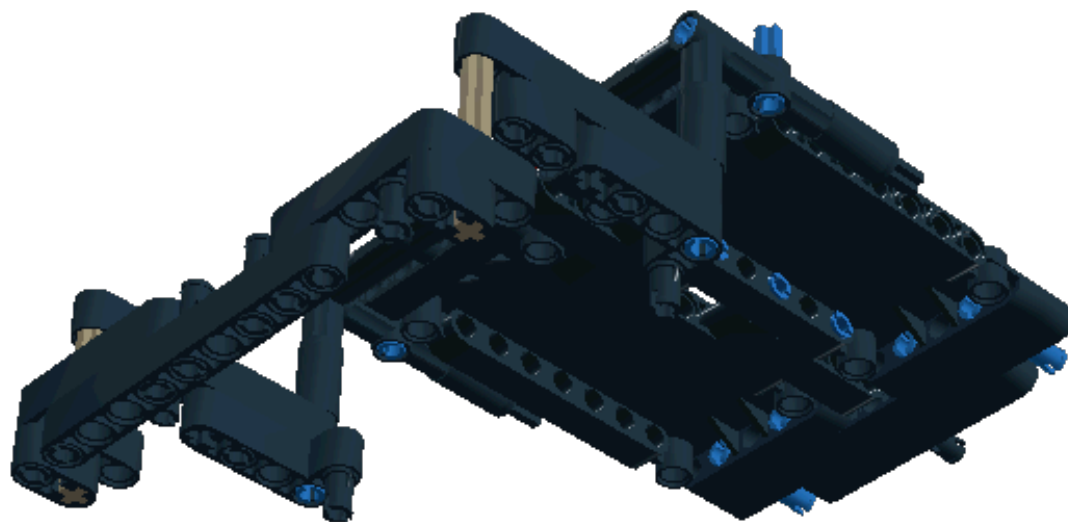
1 x



1 x

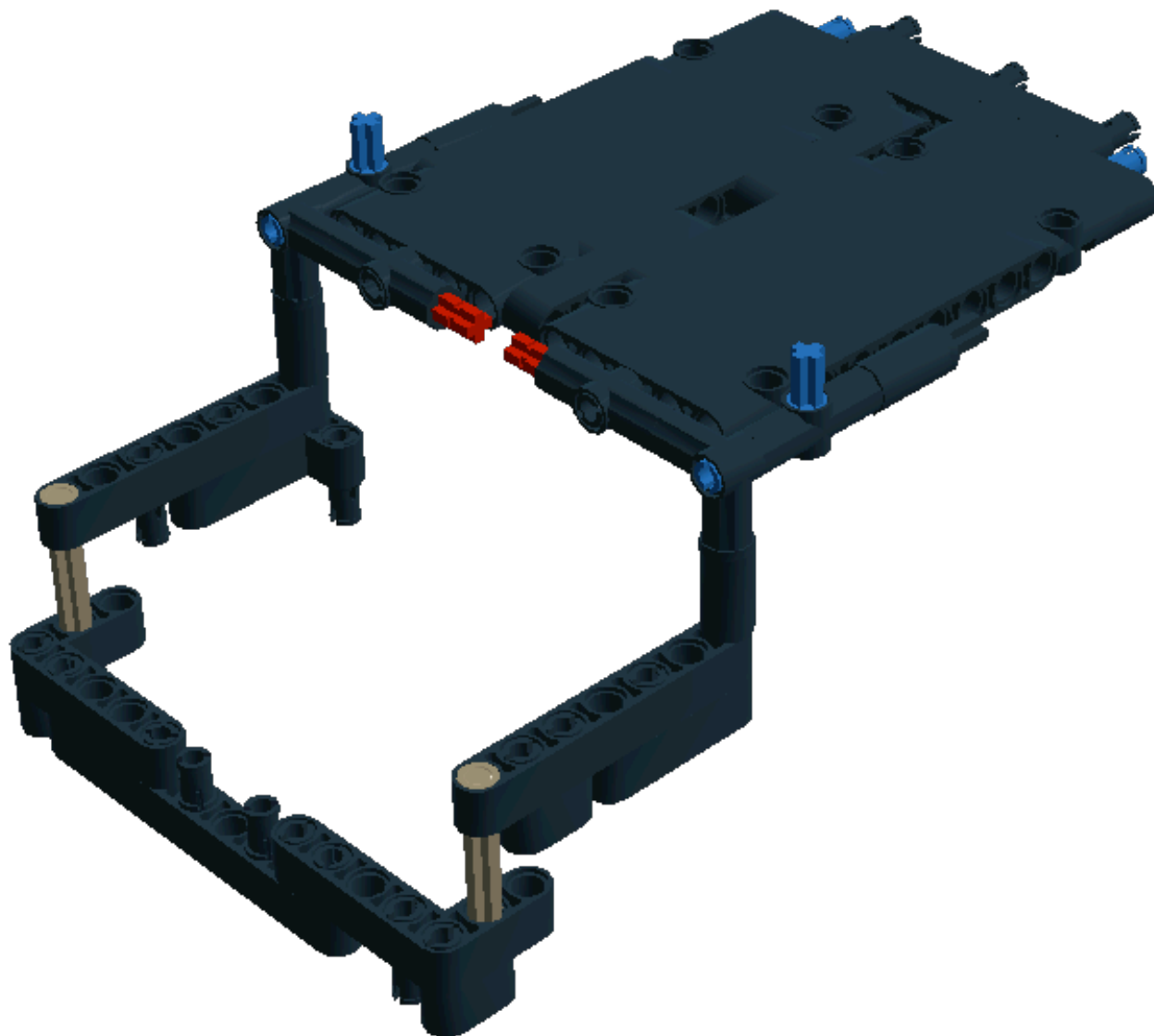


2 x



Step 38 of 319

2 x



Step 39 of 319

2 x

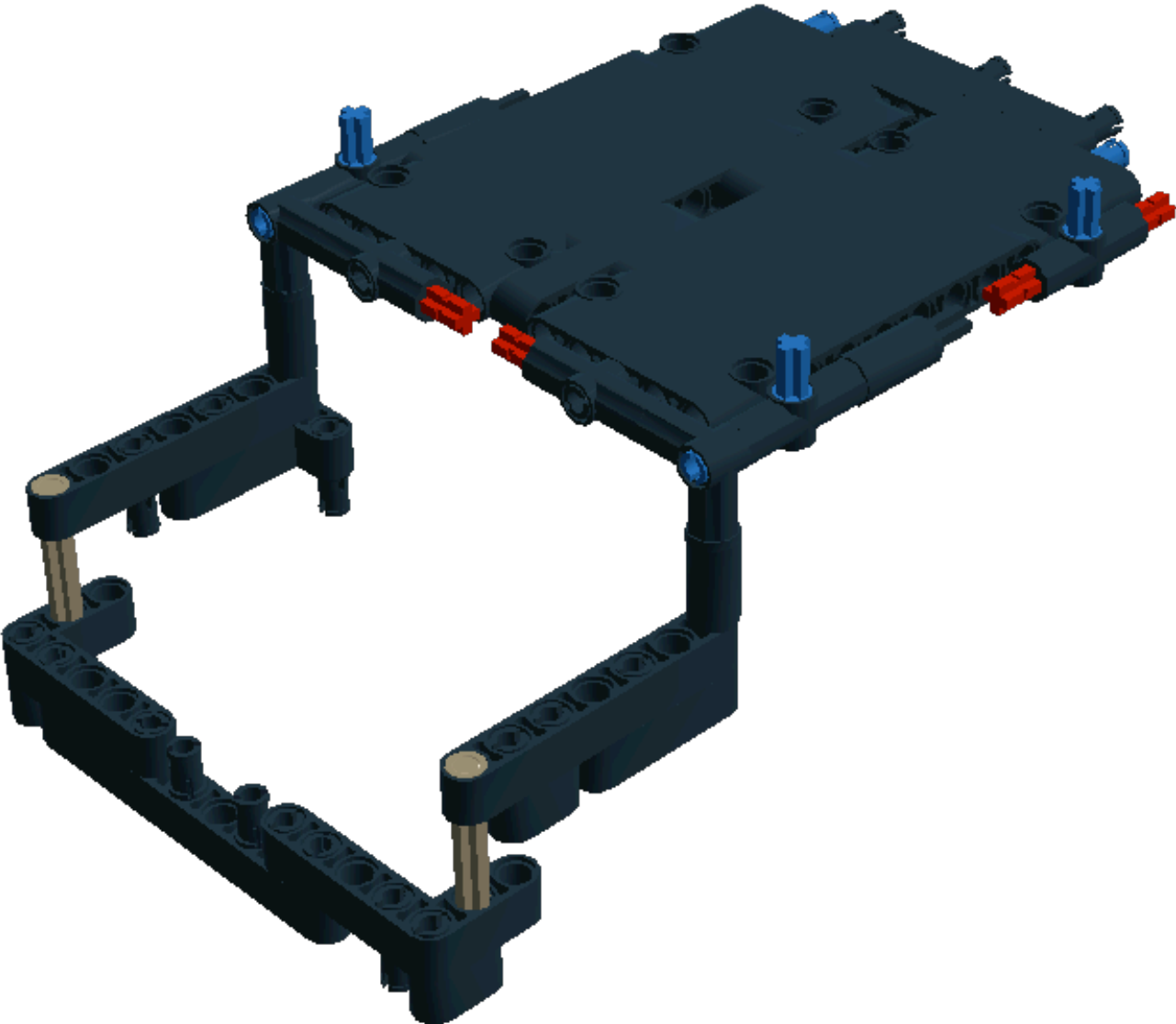


1 x



1 x





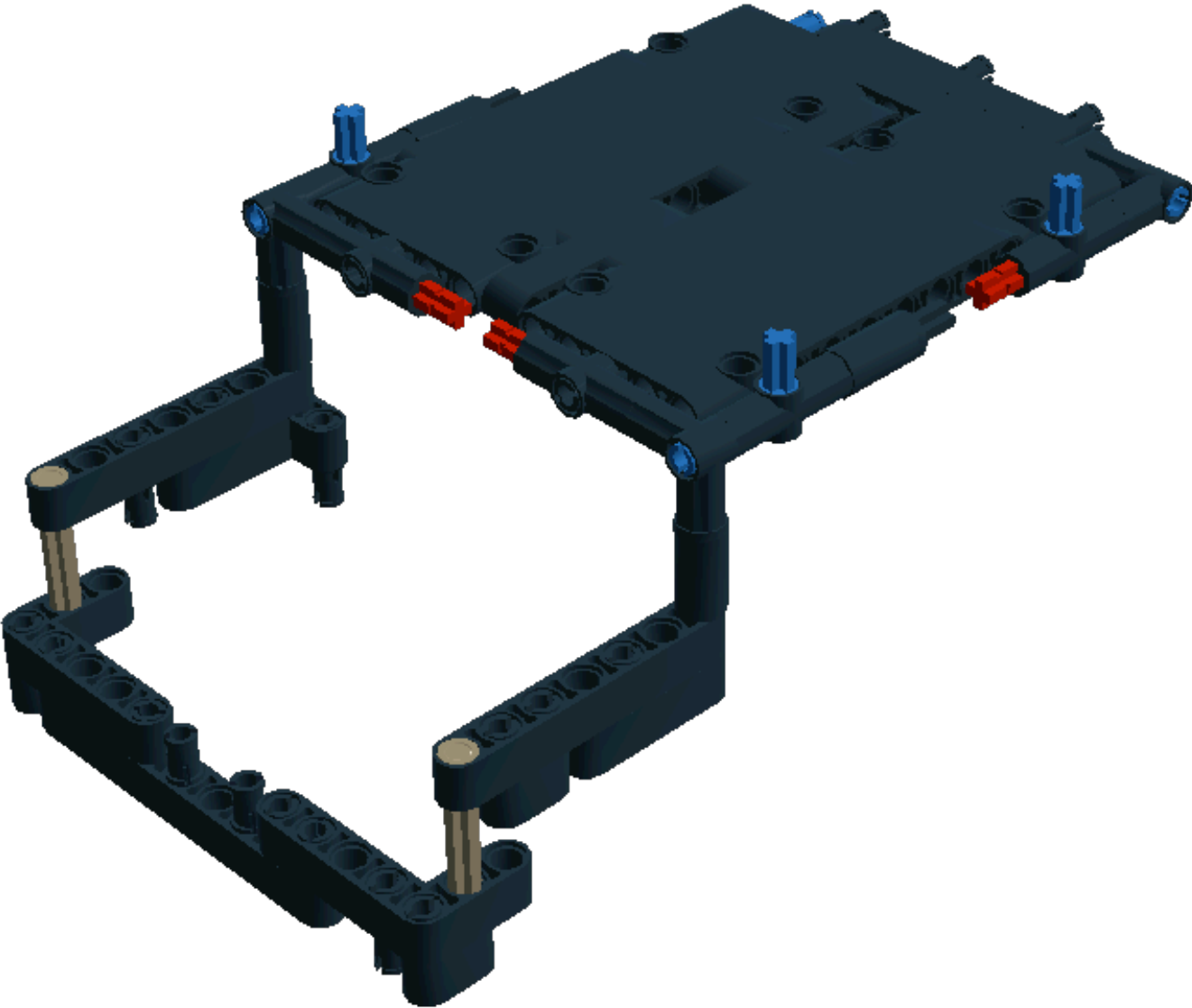
Step 41 of 319

1 x



2 x





Step 43 of 319

2 x

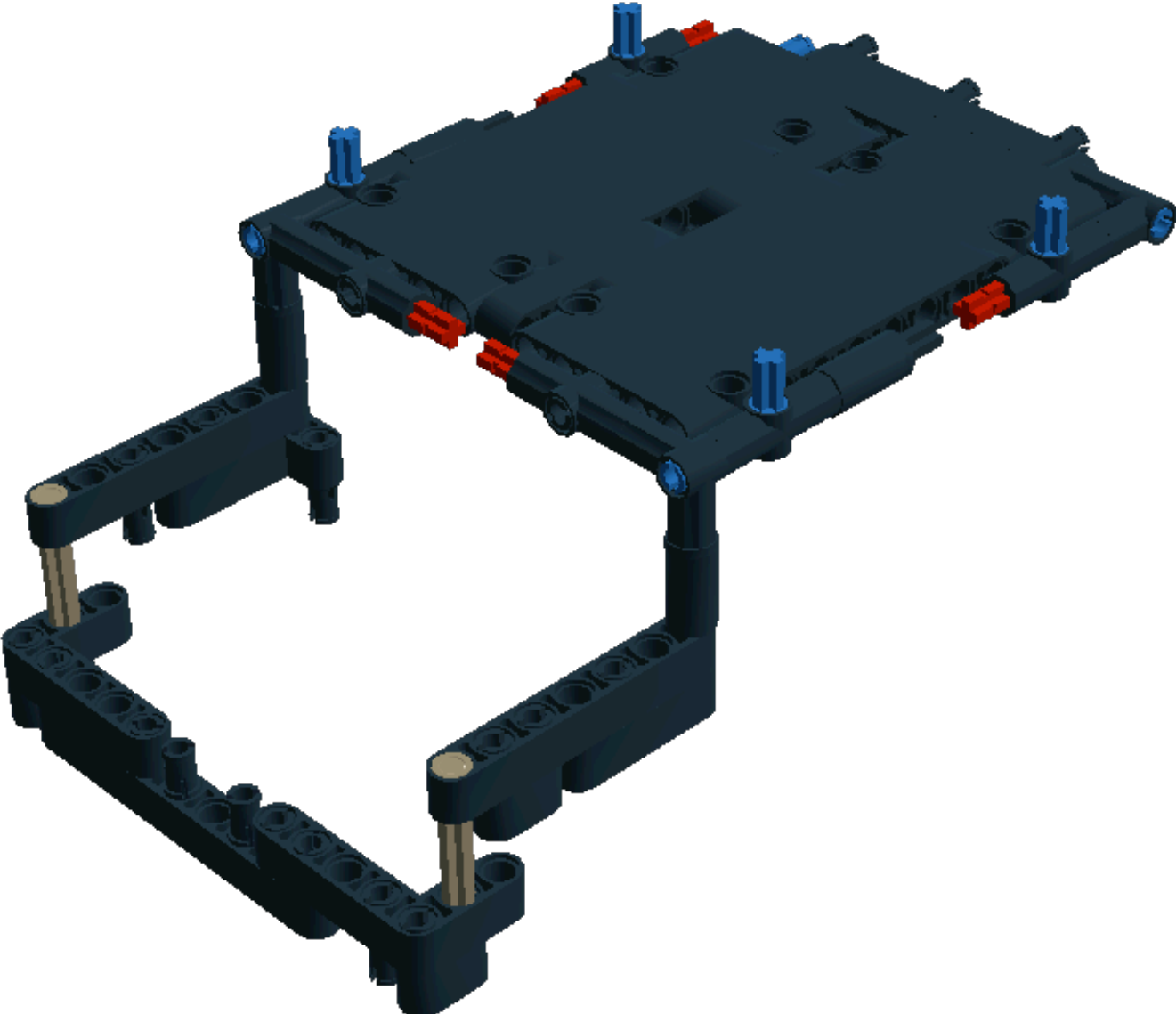


1 x



1 x





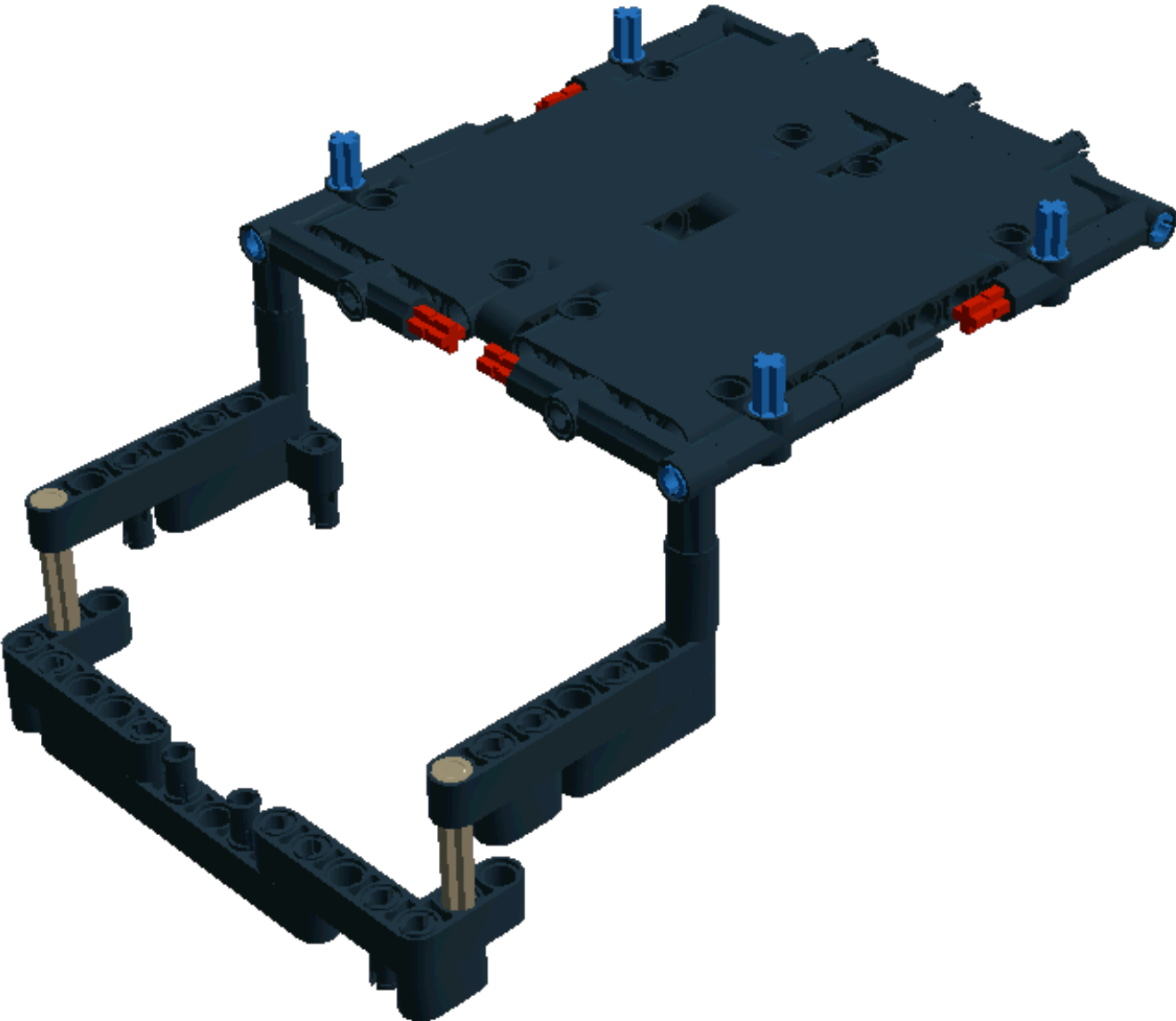
Step 45 of 319

1 x



2 x





Step 47 of 319

1 x

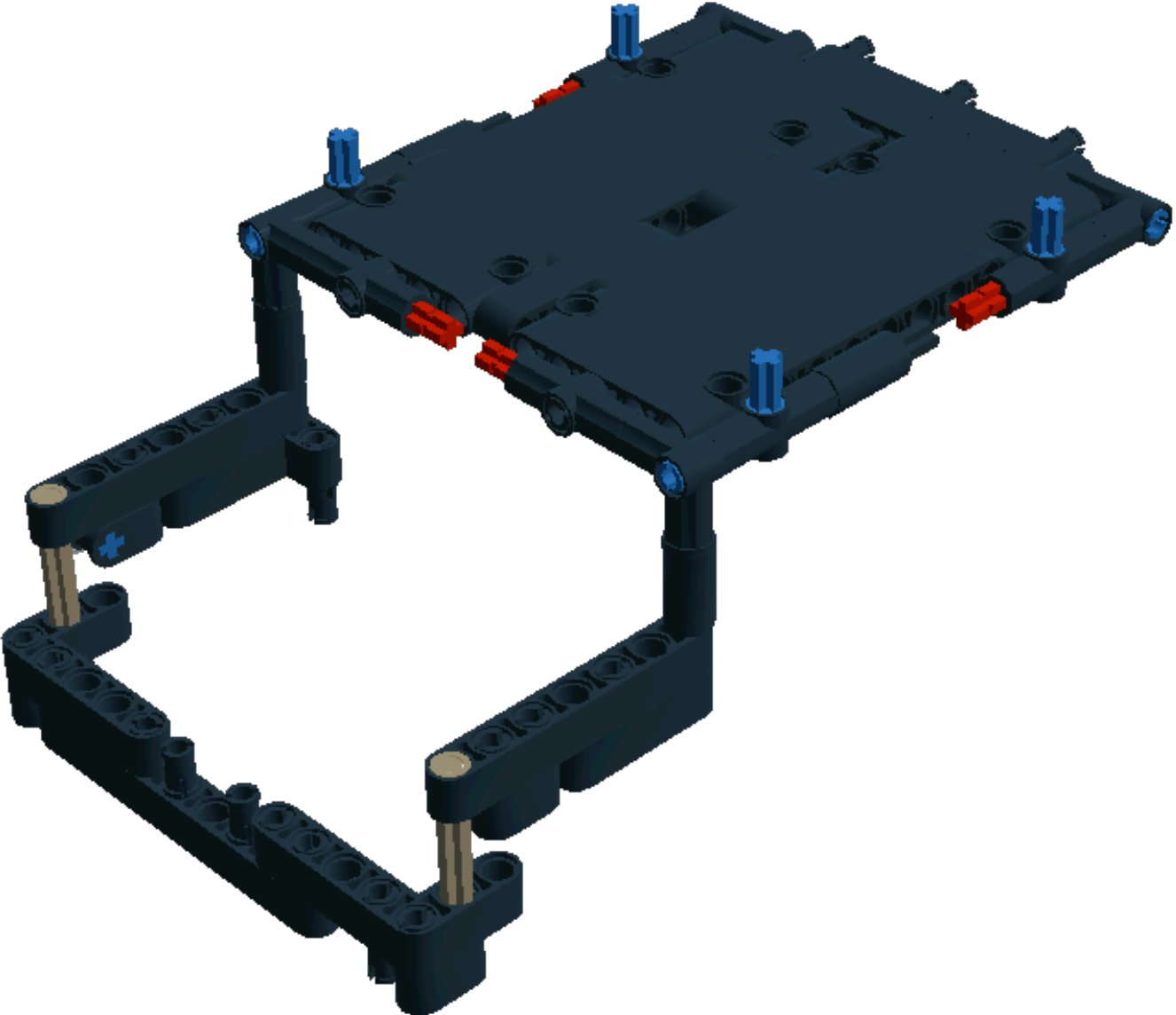


1 x



1 x





Step 49 of 319

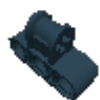
1 x

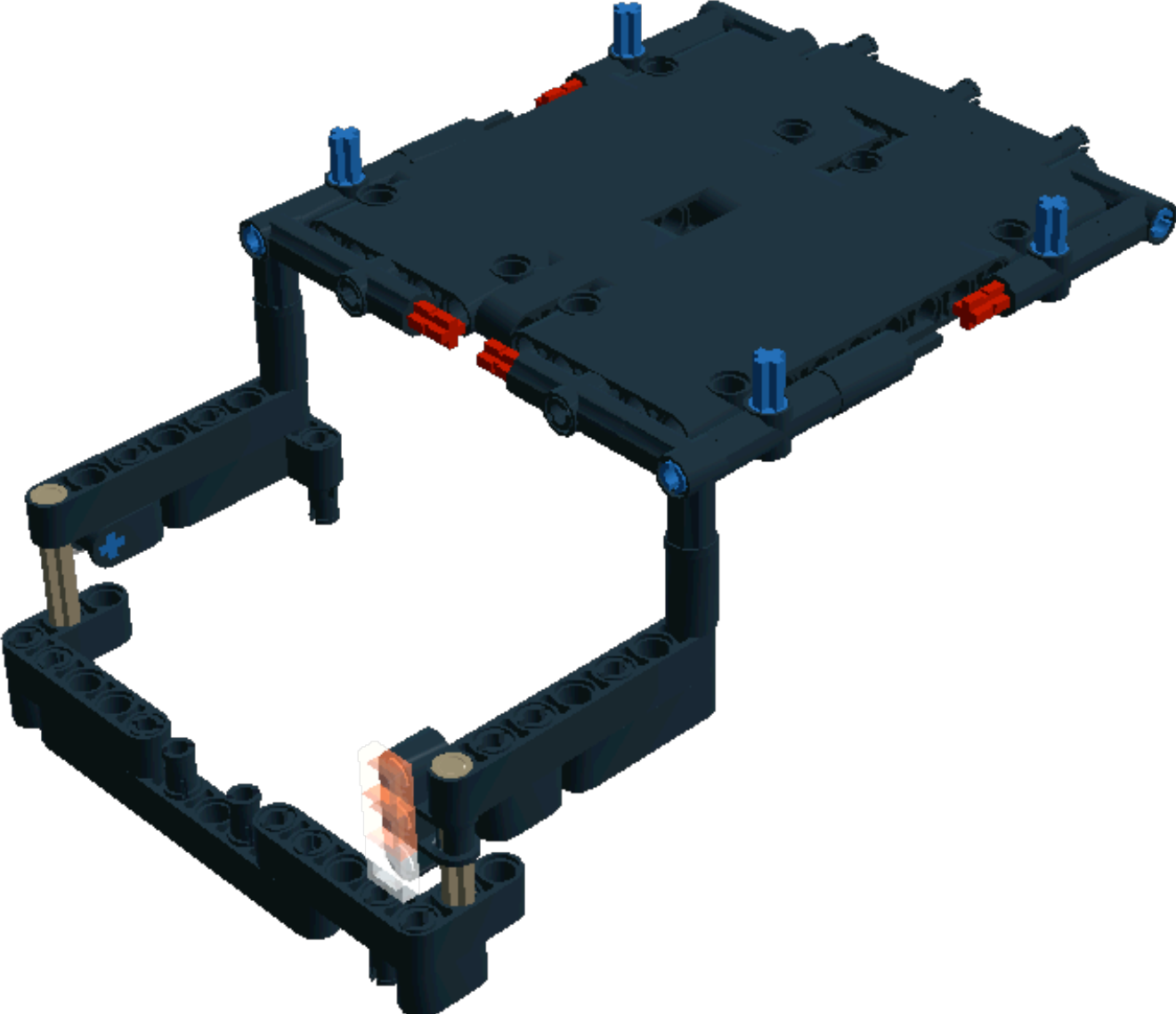


2 x



1 x





Step 51 of 319

1 x

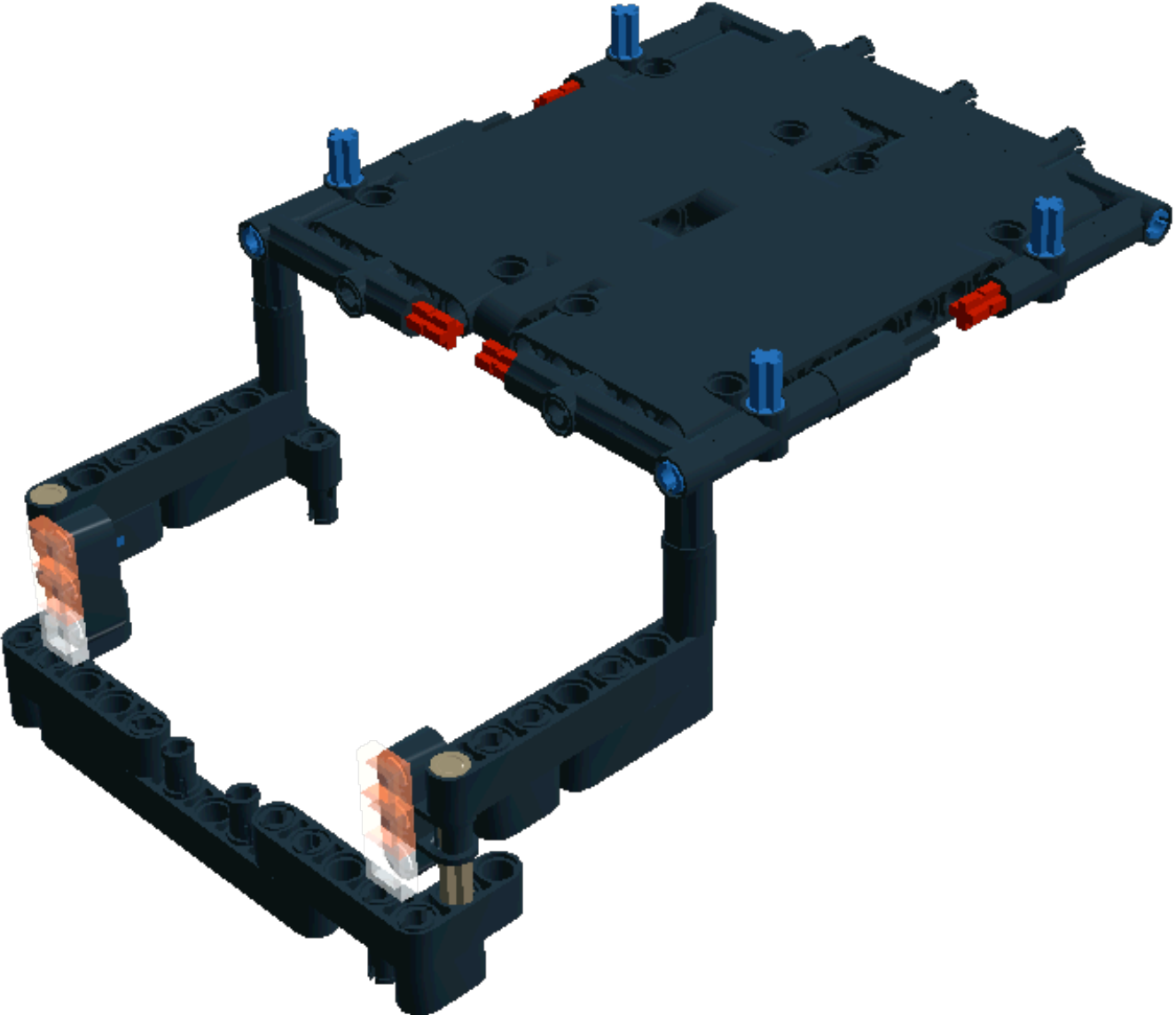


2 x



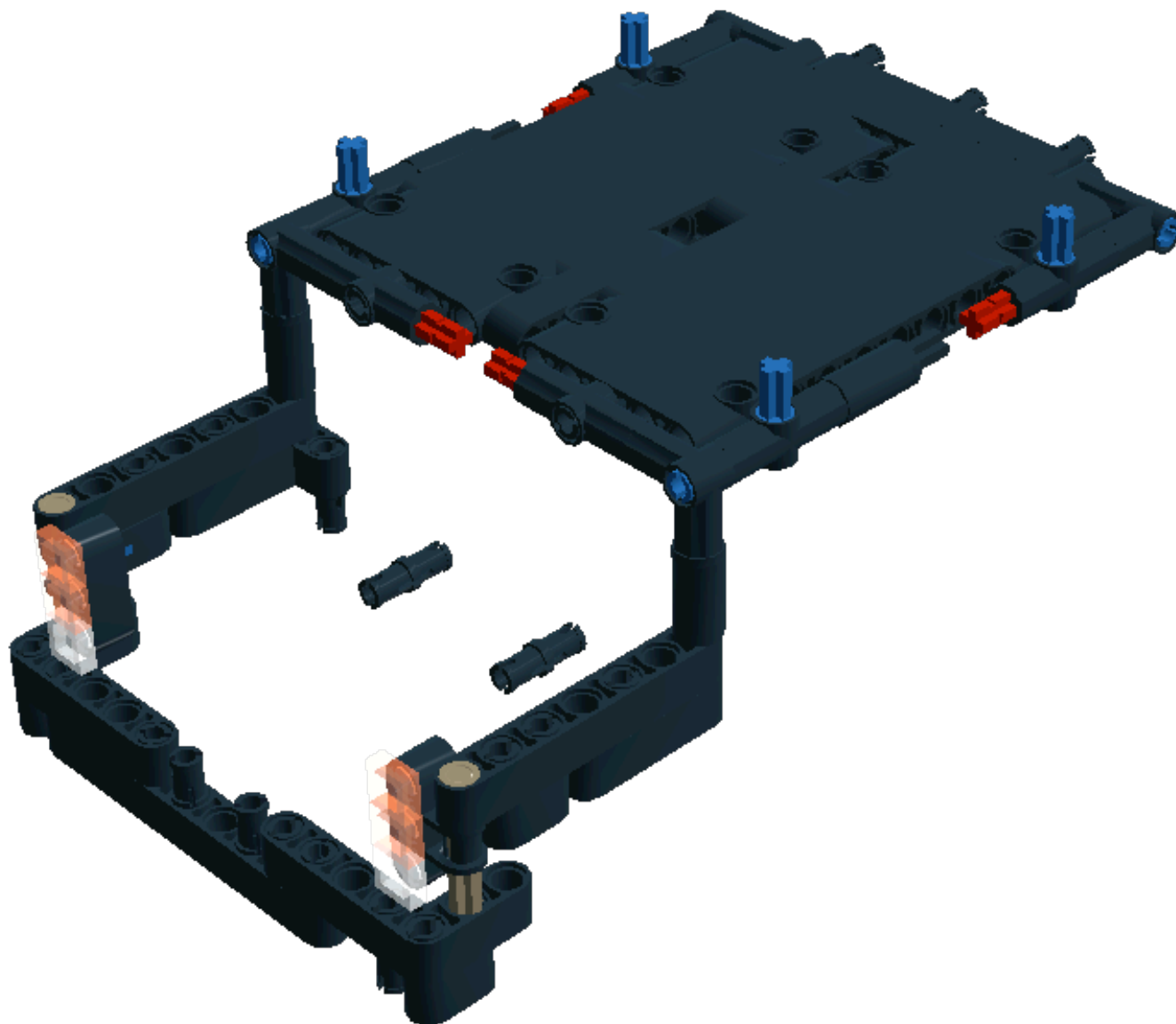
1 x





Step 53 of 319

2 x



Step 54 of 319


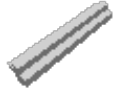

1 x

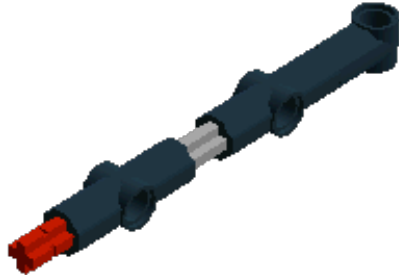


1 x



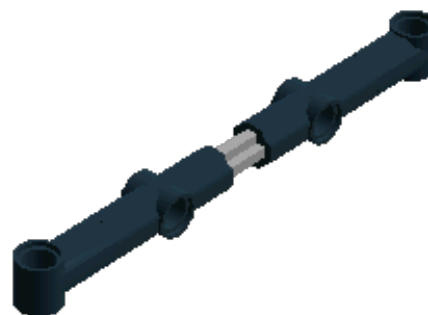
Step 55 of 319

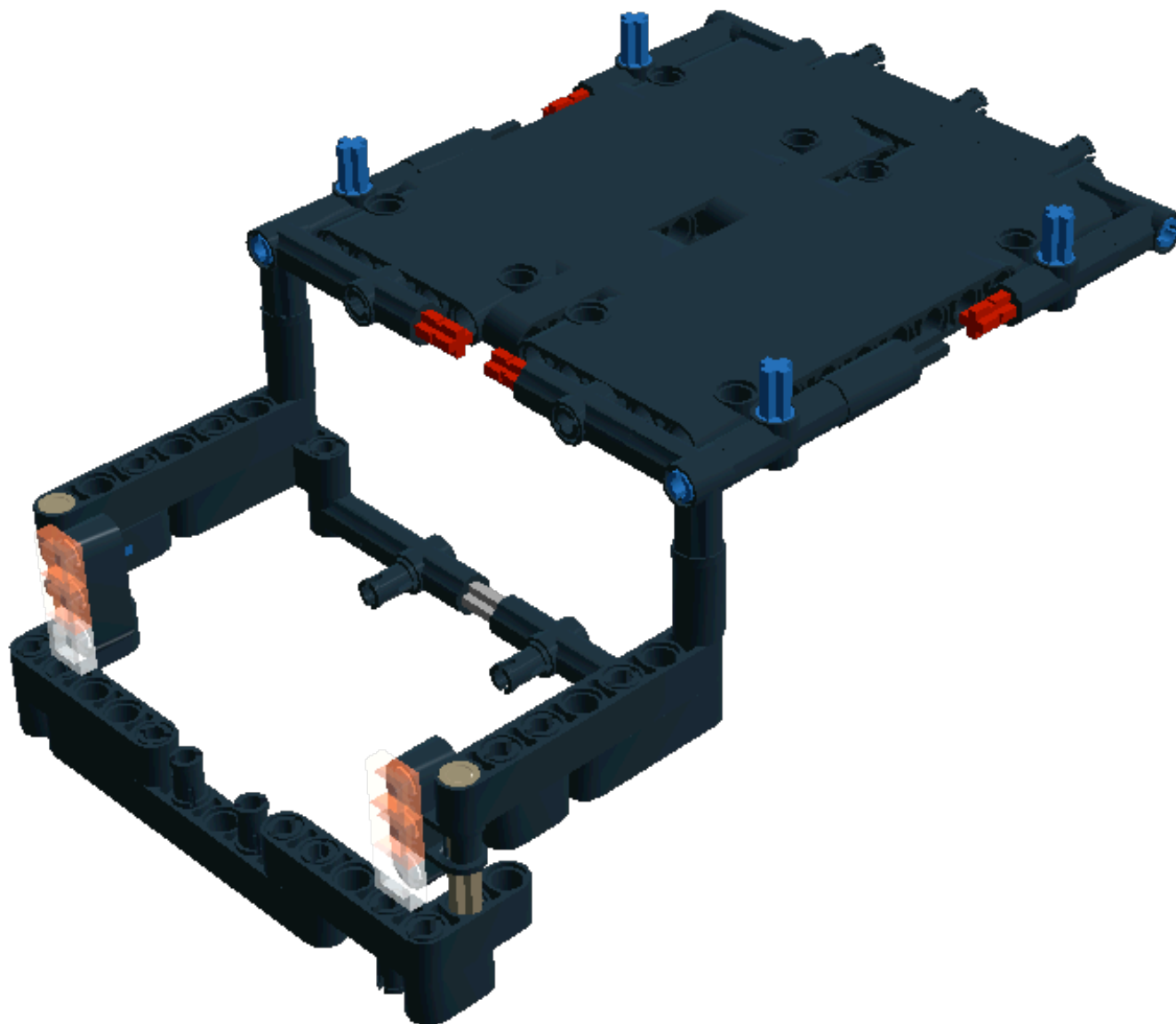
- 1 x 
- 1 x 
- 2 x 



Step 56 of 319

1 x





Step 58 of 319

1 x



1 x



1 x



Step 59 of 319

1 x



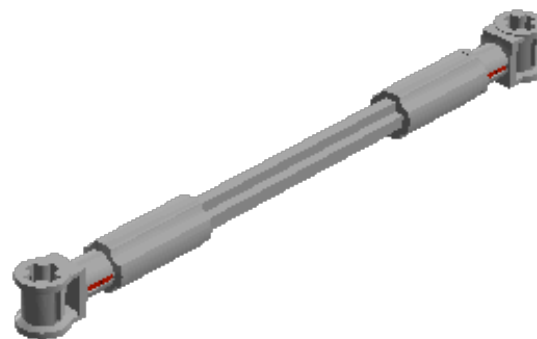
1 x

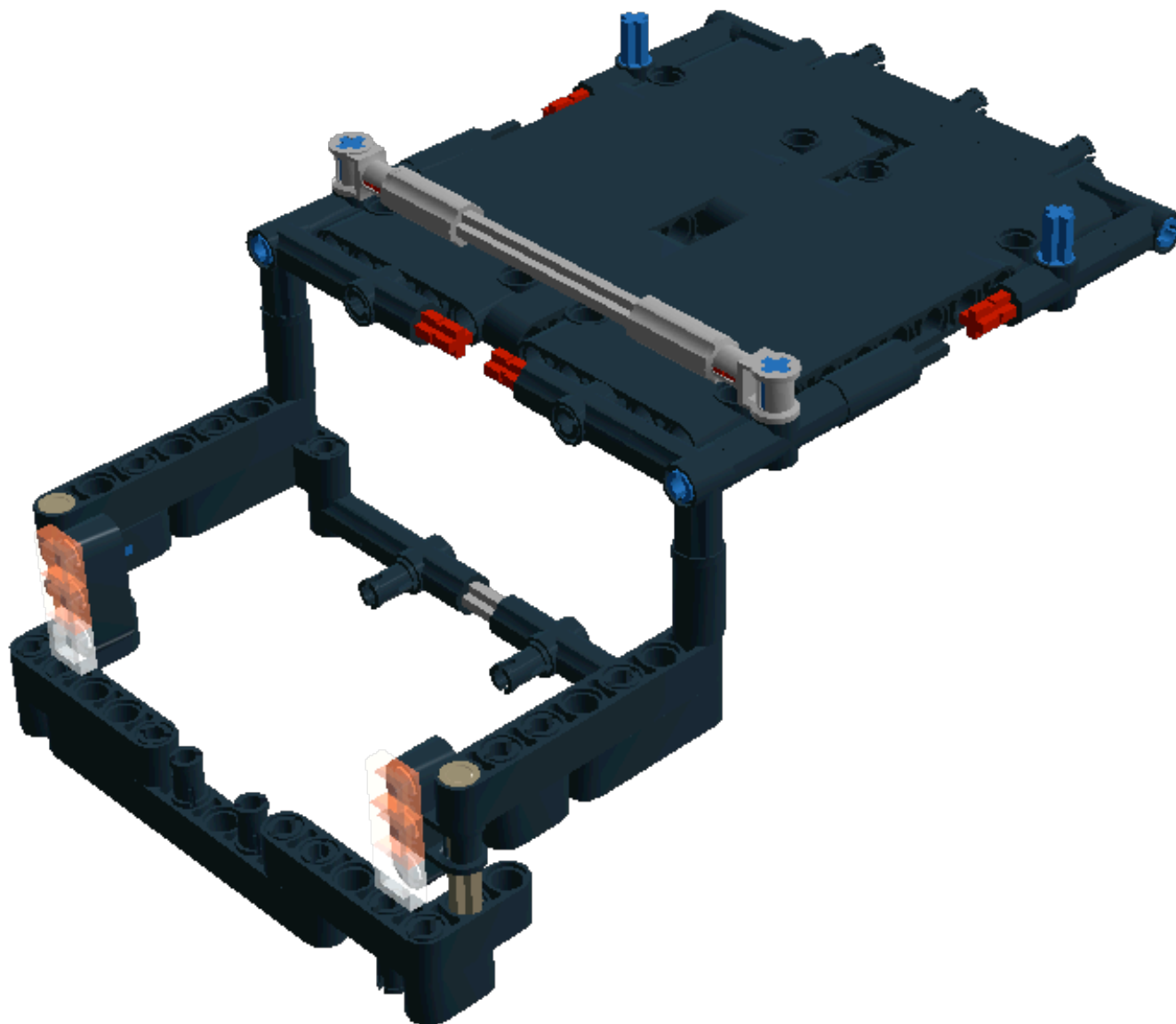


1 x



1 x



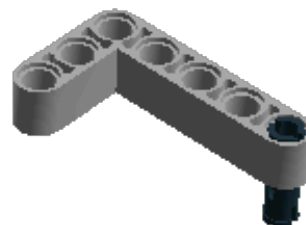


Step 61 of 319

1 x



1 x

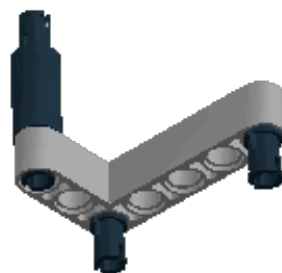
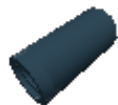


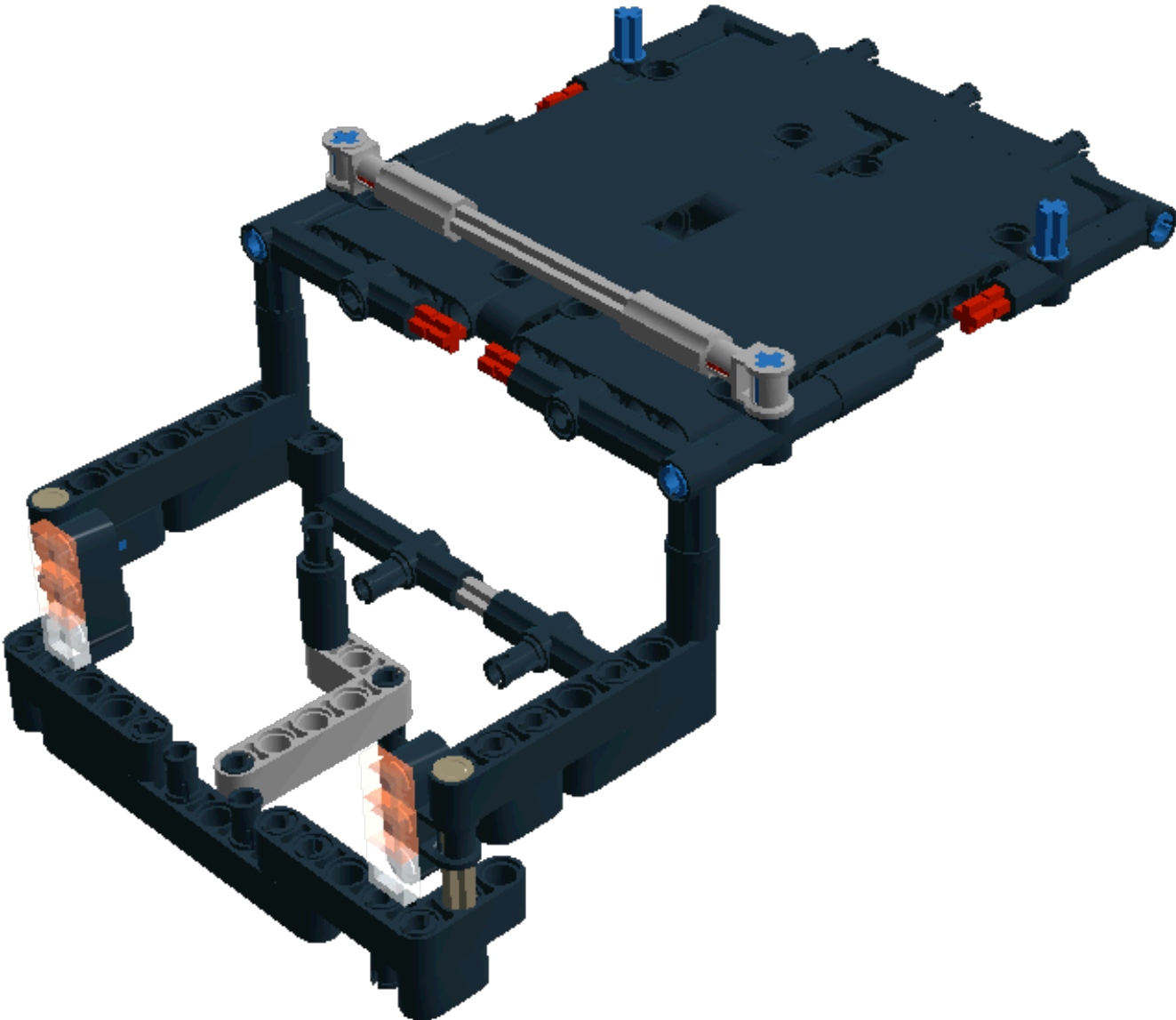
Step 62 of 319

3 x



1 x





Step 64 of 319

1 x



1 x

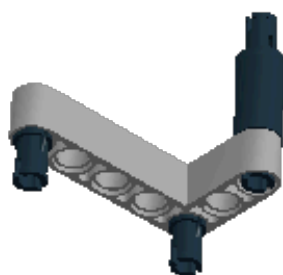
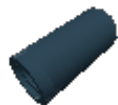


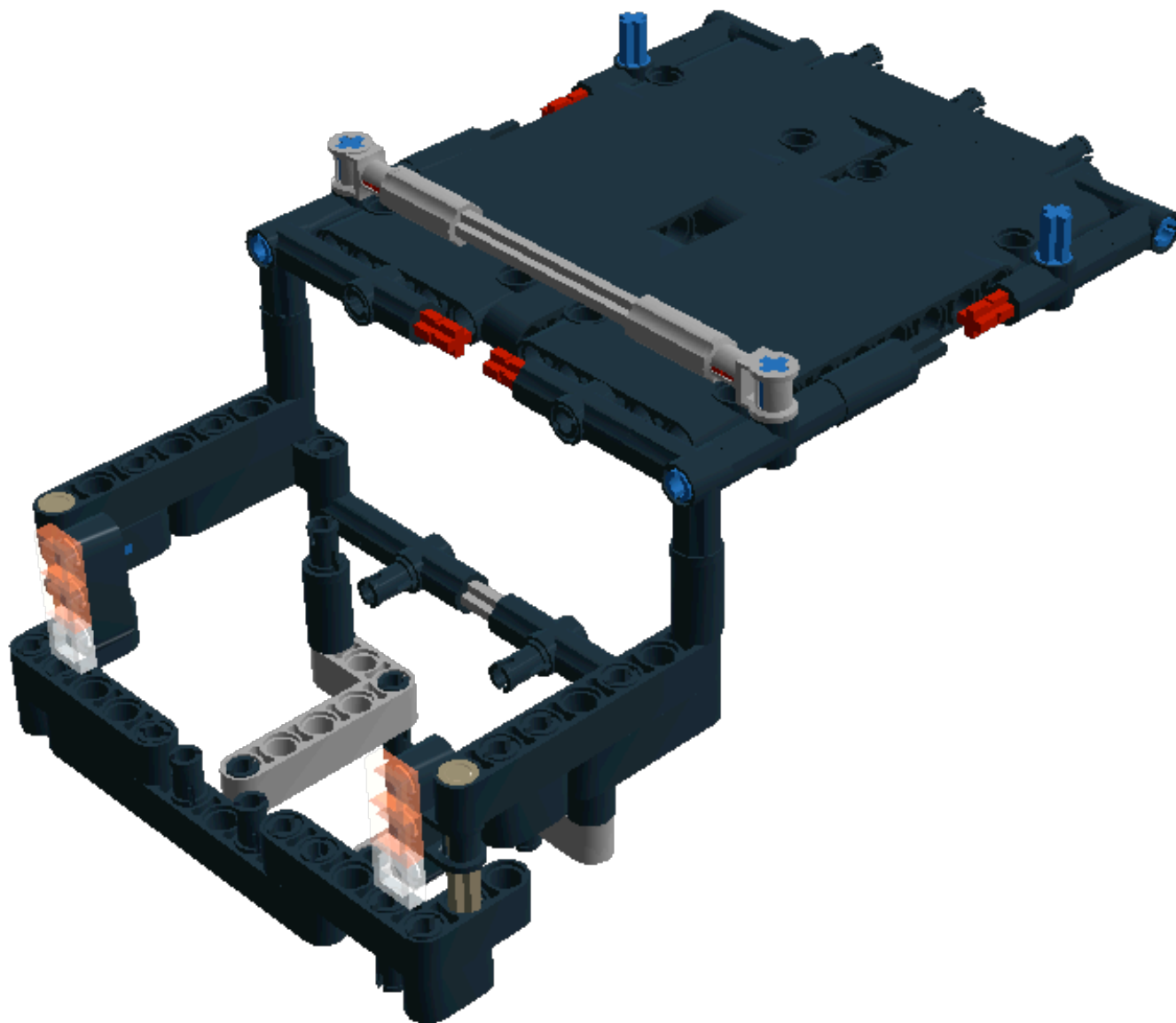
Step 65 of 319

3 x



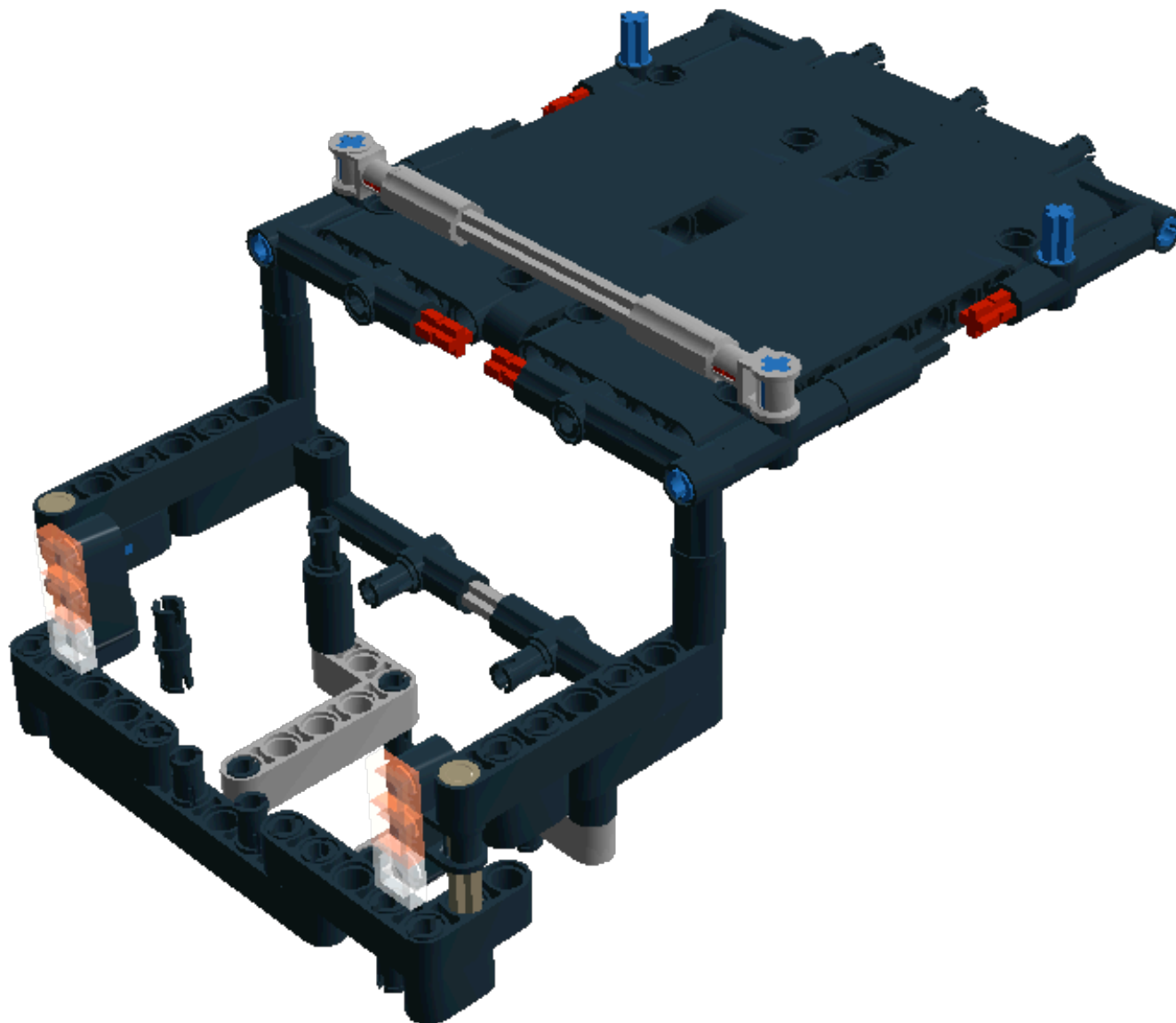
1 x





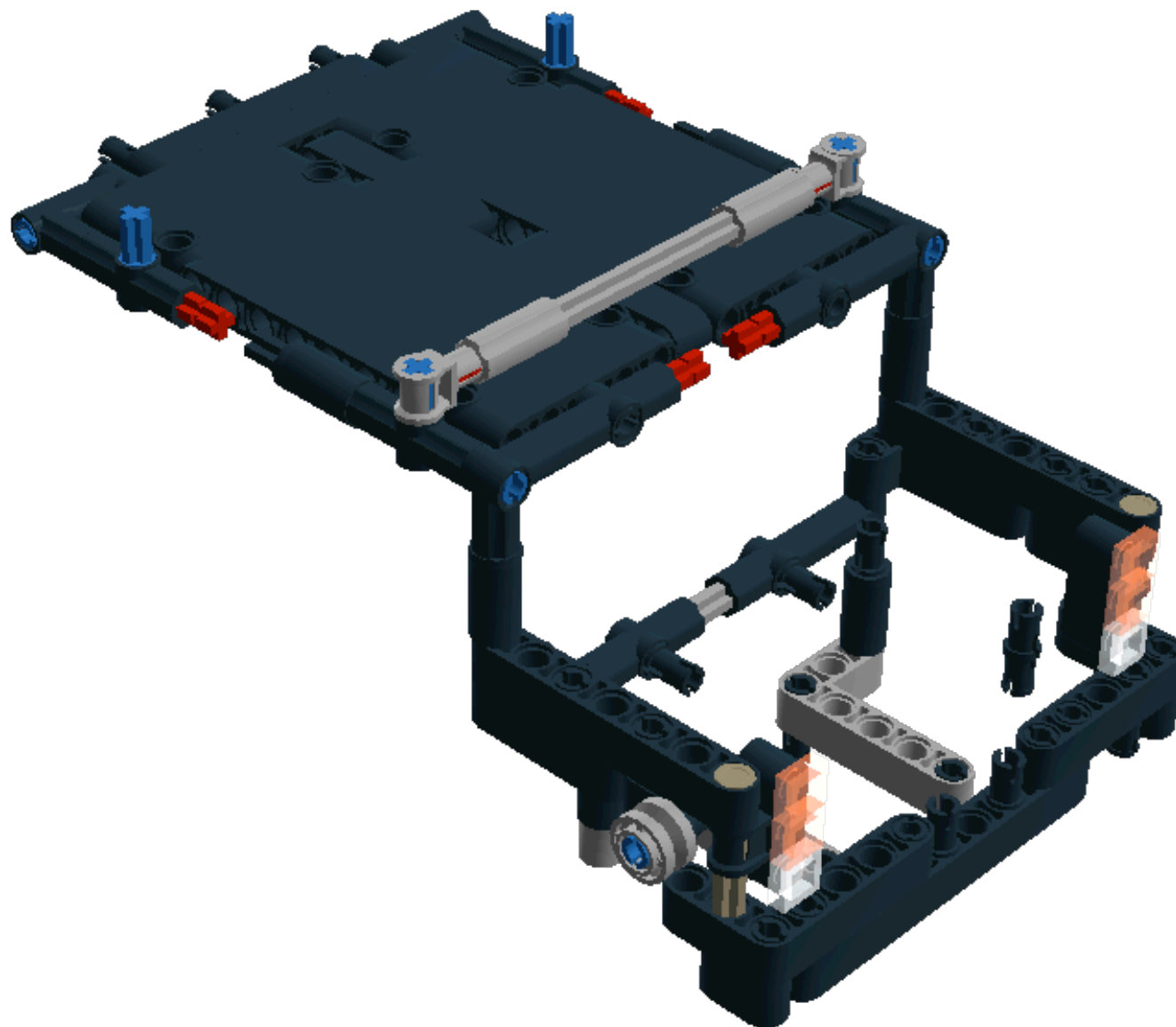
Step 67 of 319

1 x



Step 68 of 319

1 x



Step 69 of 319

1 x



1 x



Step 70 of 319

1 x



1 x



1 x



Step 71 of 319

1 x



1 x



Step 72 of 319

3 x



1 x

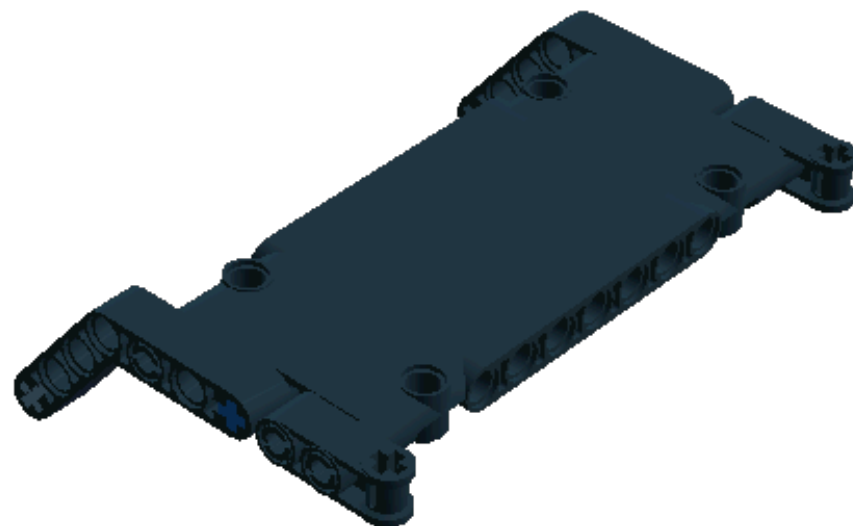


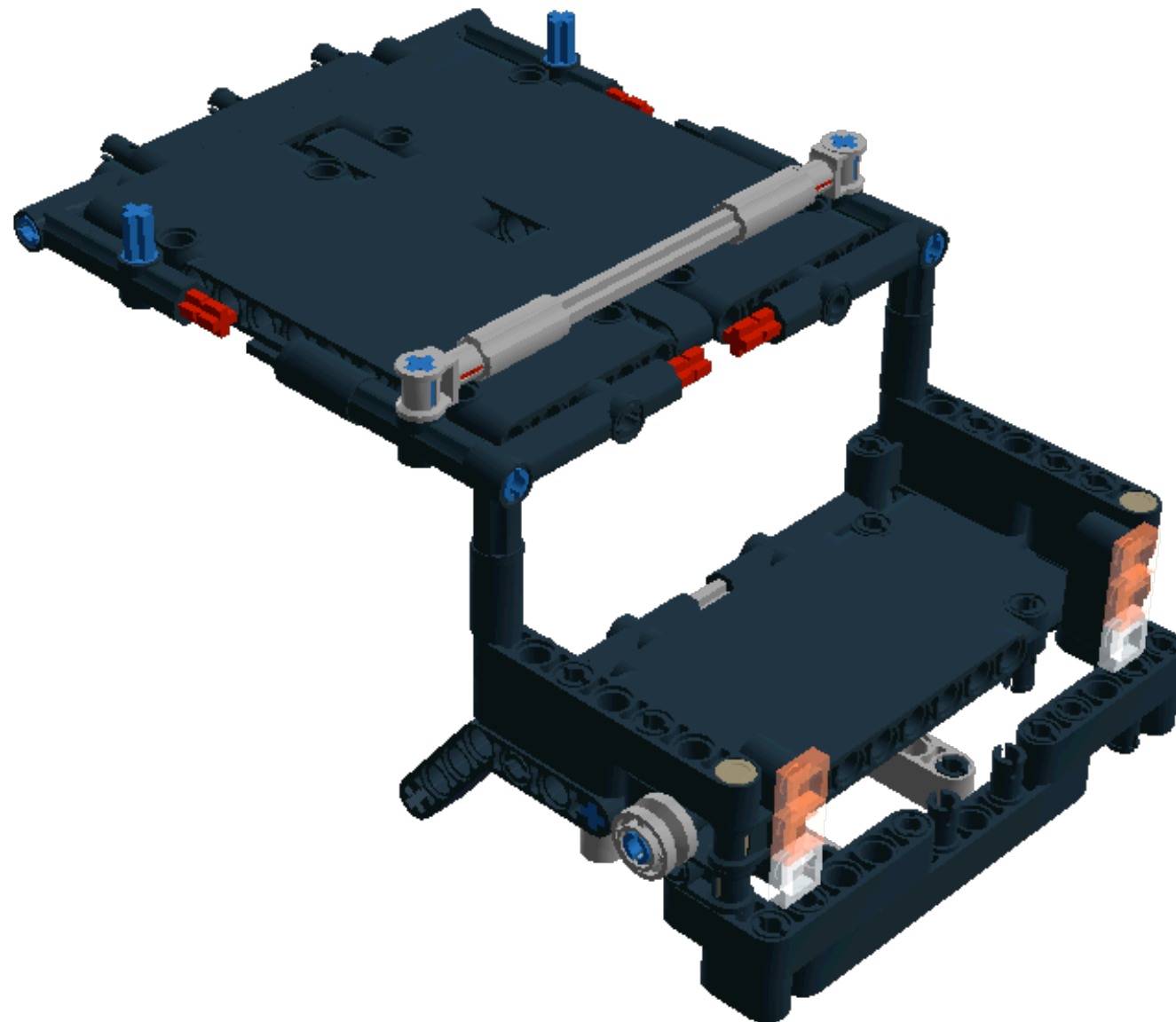
Step 73 of 319

1 x



1 x





Step 75 of 319

1 x



1 x



1 x



Step 76 of 319

1 x



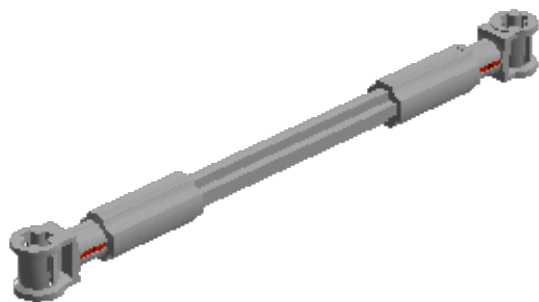
1 x

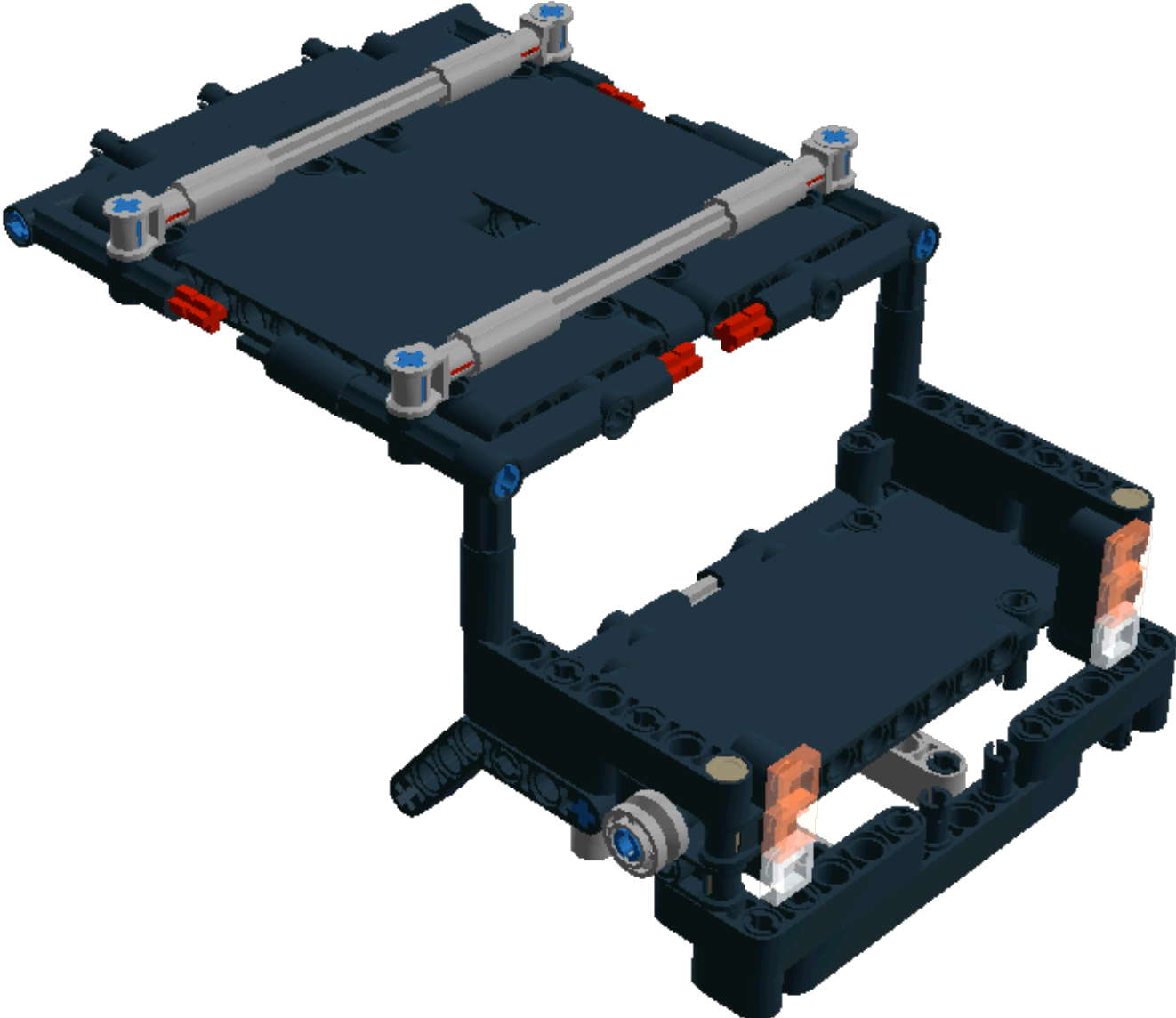


1 x



1 x



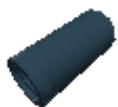


Step 78 of 319

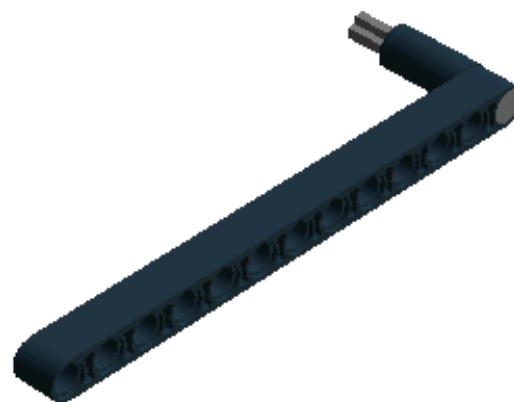
1 x



1 x



1 x

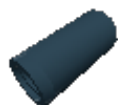


Step 79 of 319

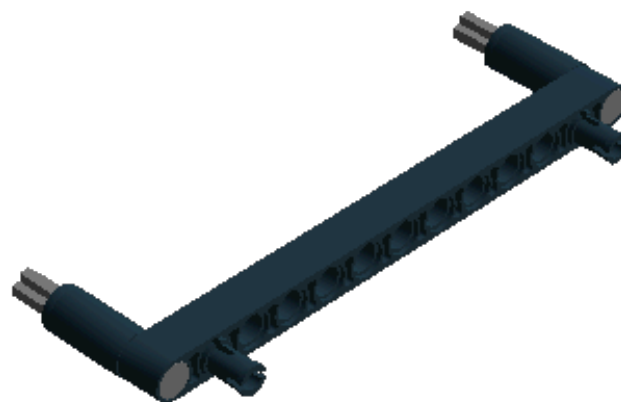
2 x

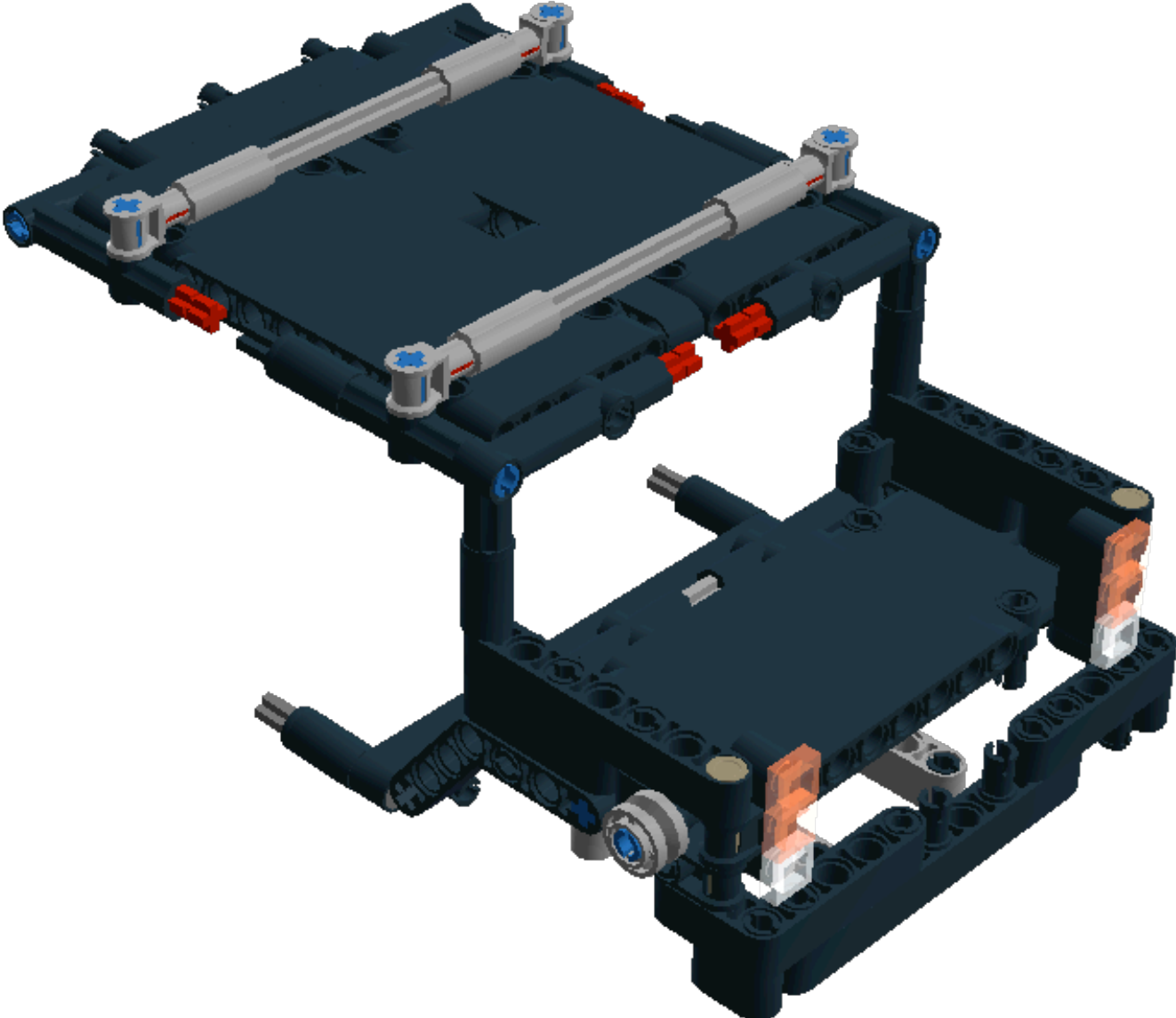


1 x



1 x





Step 81 of 319

1 x

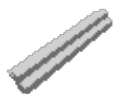


Step 82 of 319

1 x



1 x

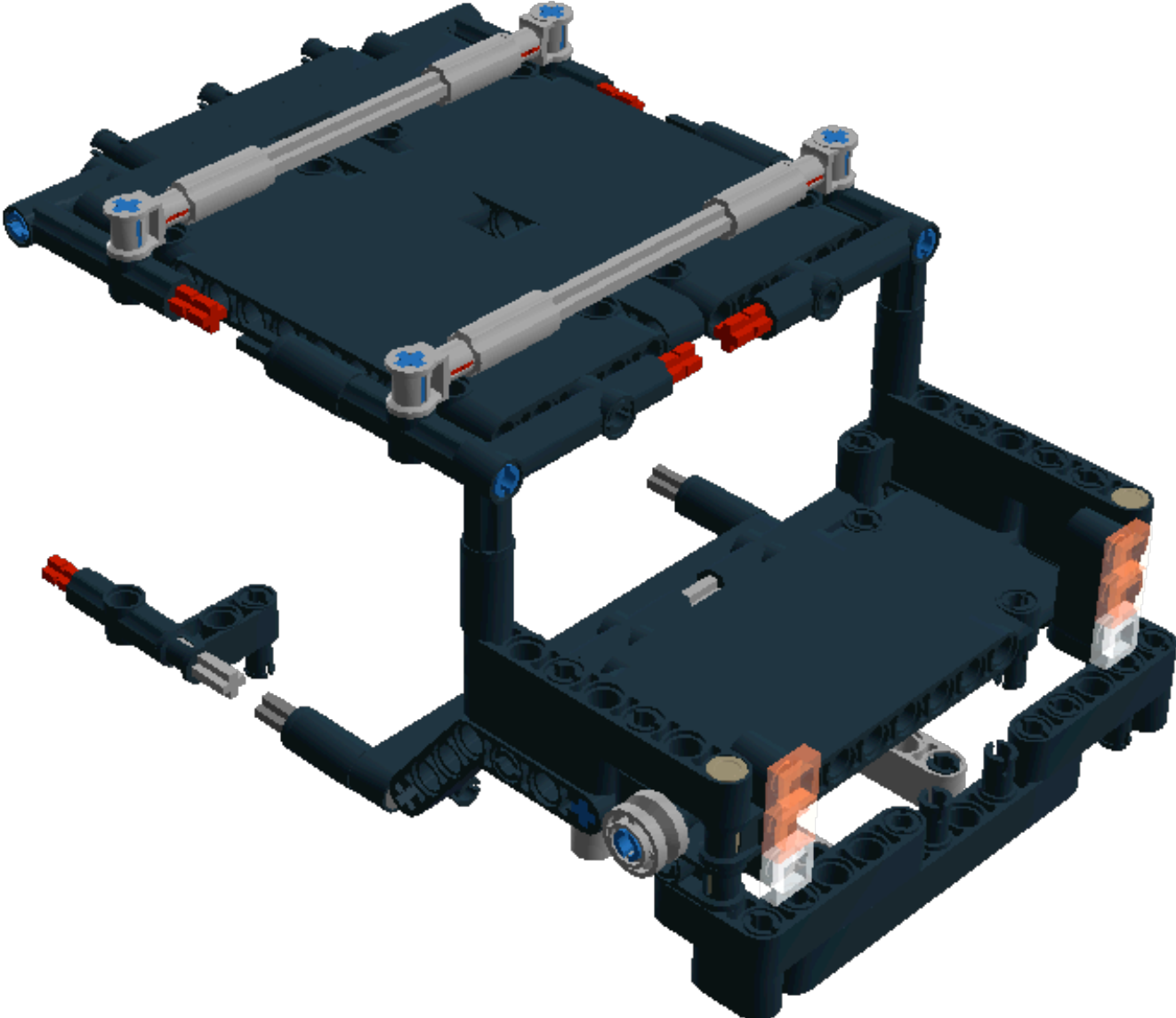


1 x



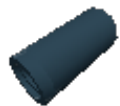
1 x





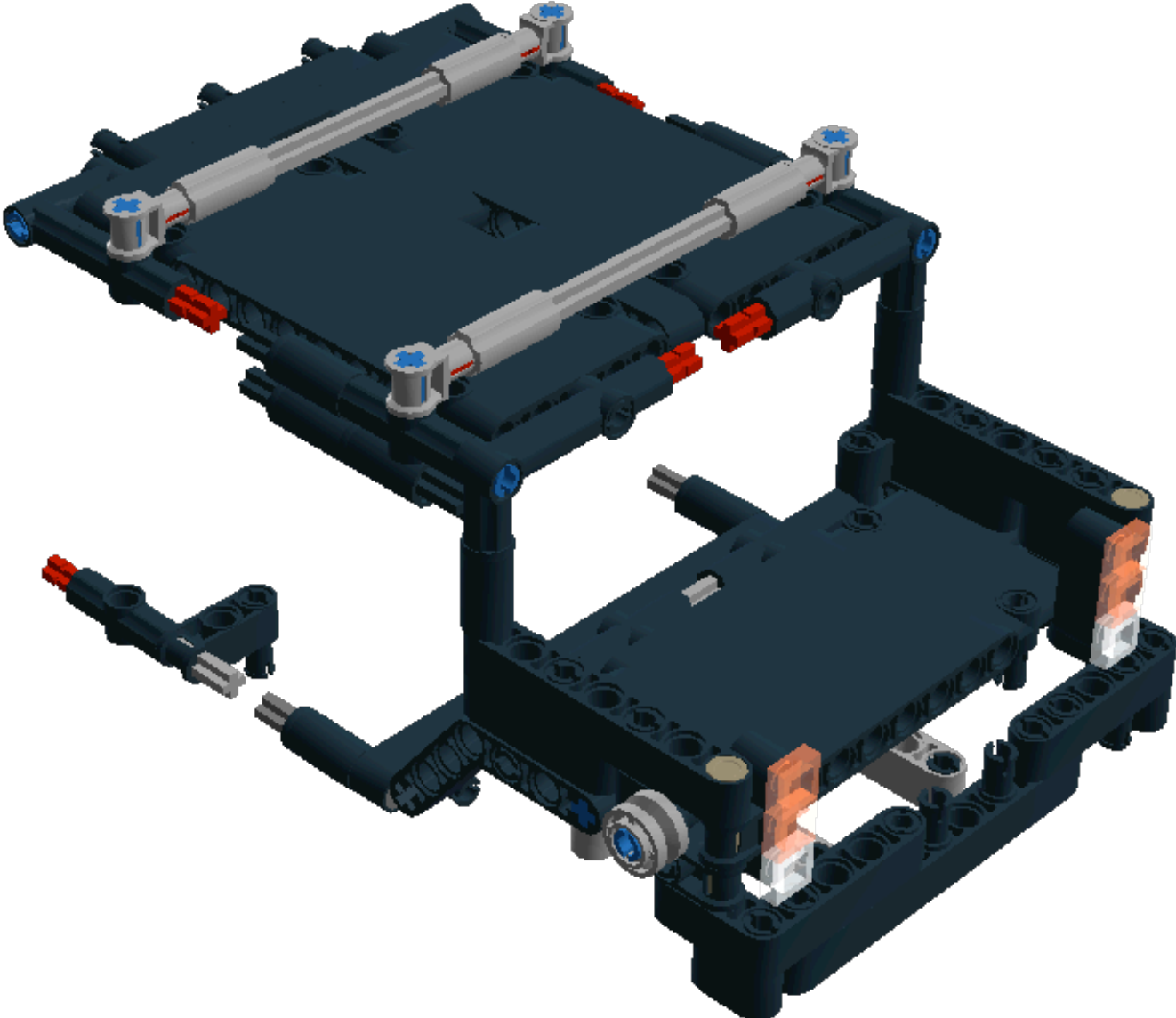
Step 84 of 319

2 x



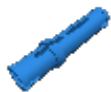
1 x





Step 86 of 319

1 x



1 x



Step 87 of 319

1 x



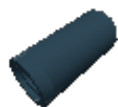
1 x



1 x

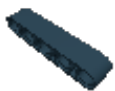


1 x



Step 88 of 319

1 x



1 x



1 x



Step 89 of 319

1 x



1 x

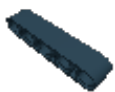


2 x



Step 90 of 319

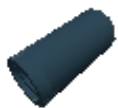
1 x



1 x



1 x



Step 91 of 319

1 x



Step 92 of 319

1 x



1 x

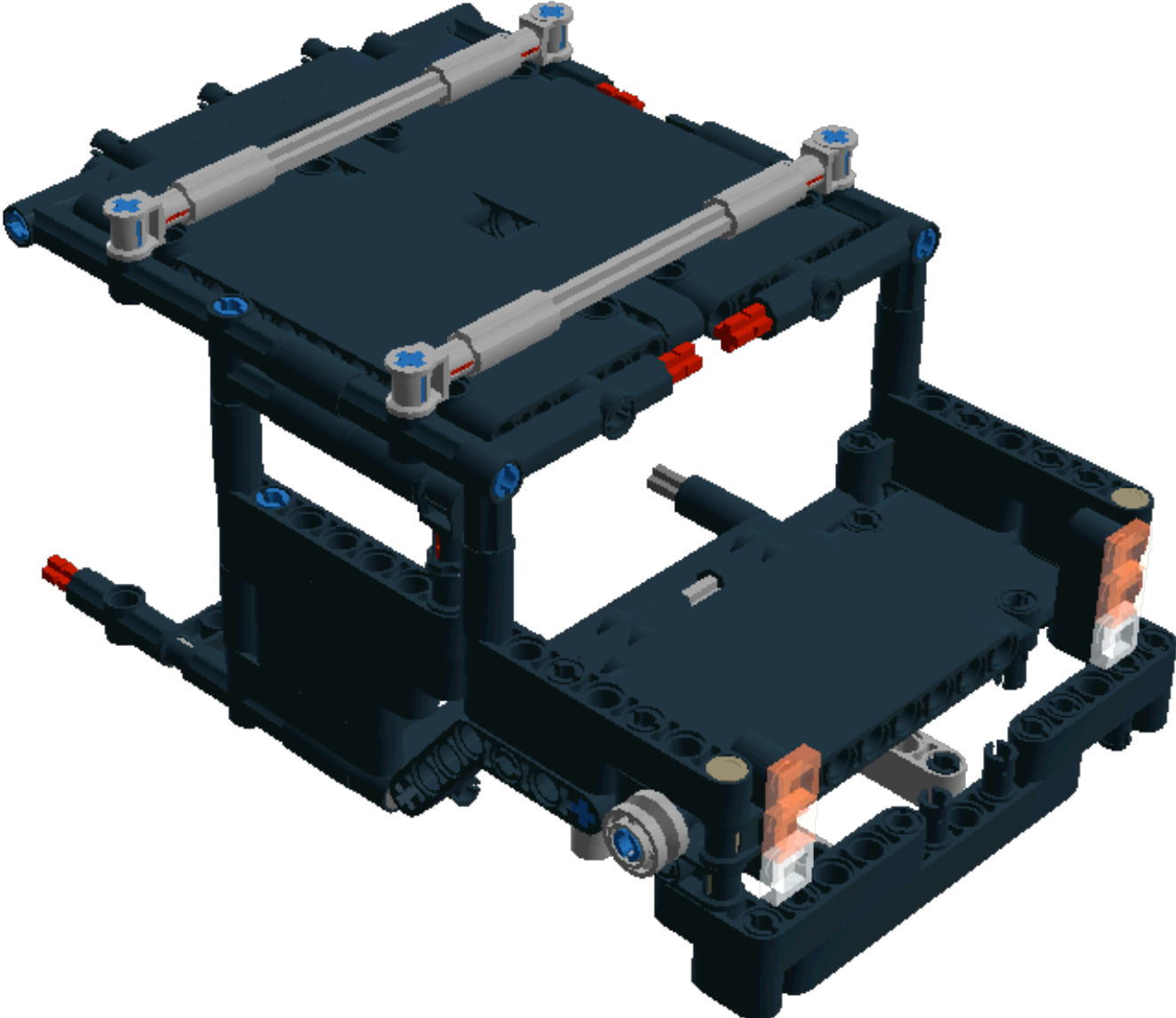


1 x



1 x





Step 94 of 319

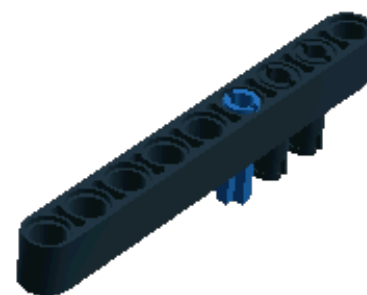
1 x



2 x

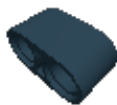


1 x



Step 95 of 319

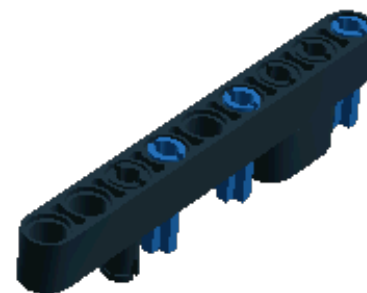
1 x



1 x

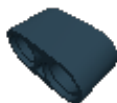


2 x



Step 96 of 319

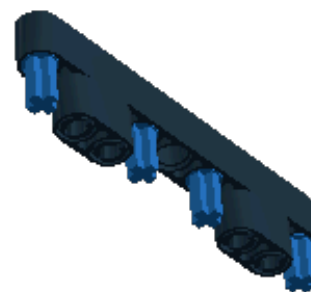
1 x

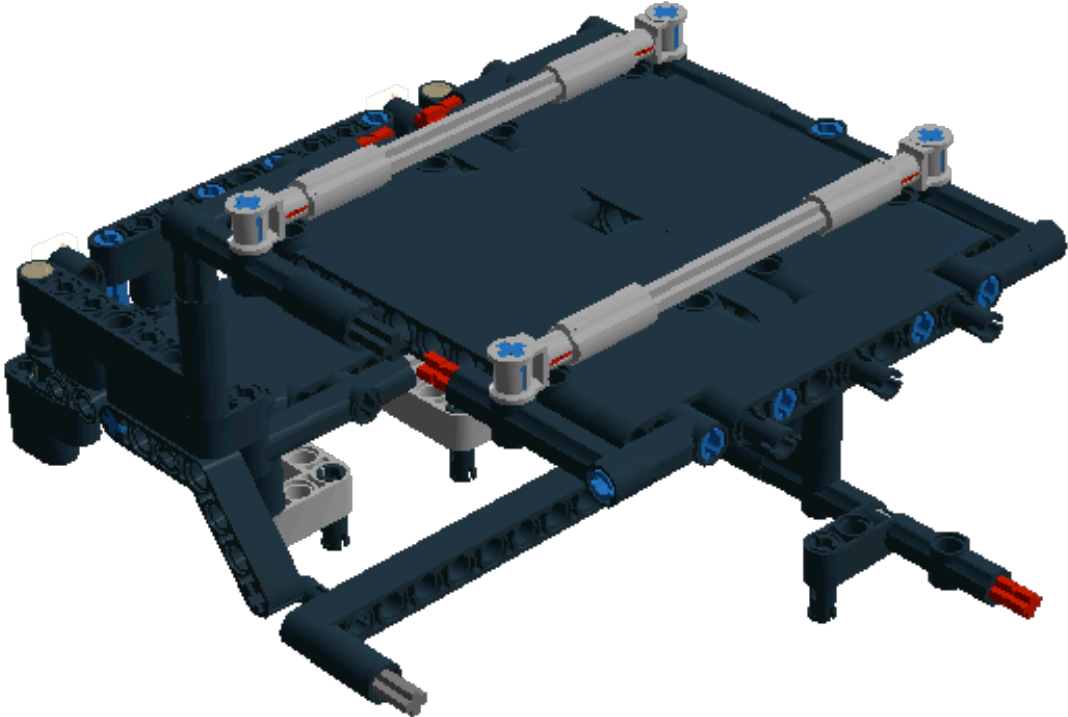


1 x



1 x





Step 98 of 319

1 x



Step 99 of 319

1 x



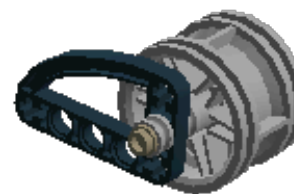
1 x



1 x



1 x



Step 100 of 319

1 x



2 x



1 x



Step 101 of 319

2 x

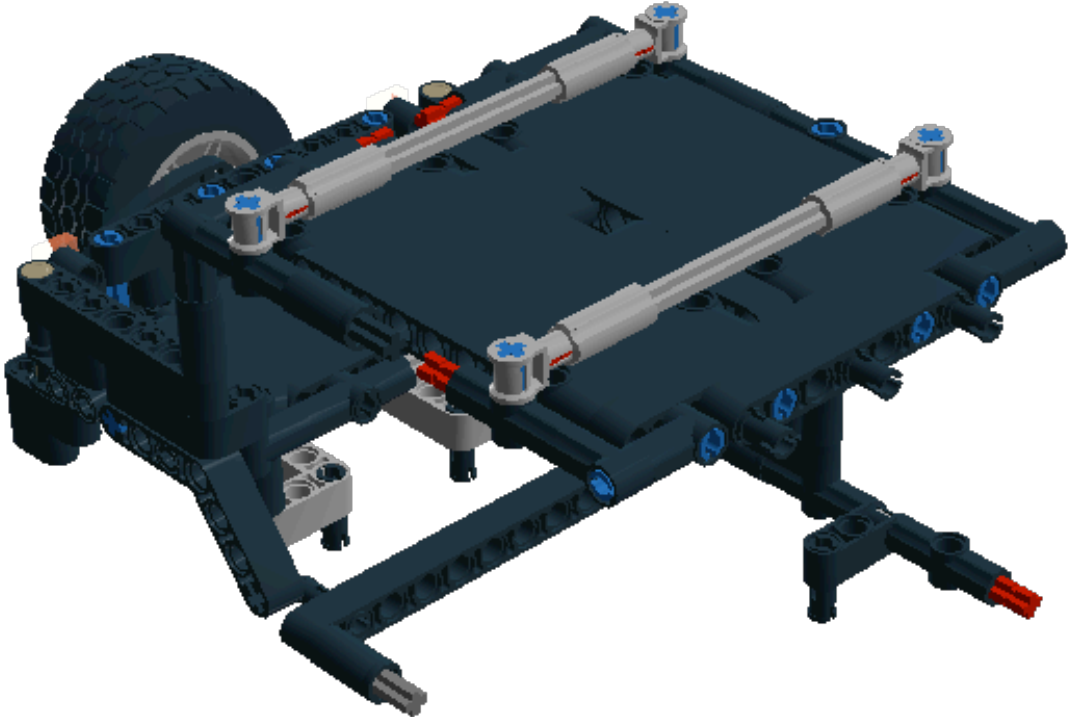


1 x



1 x



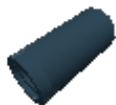


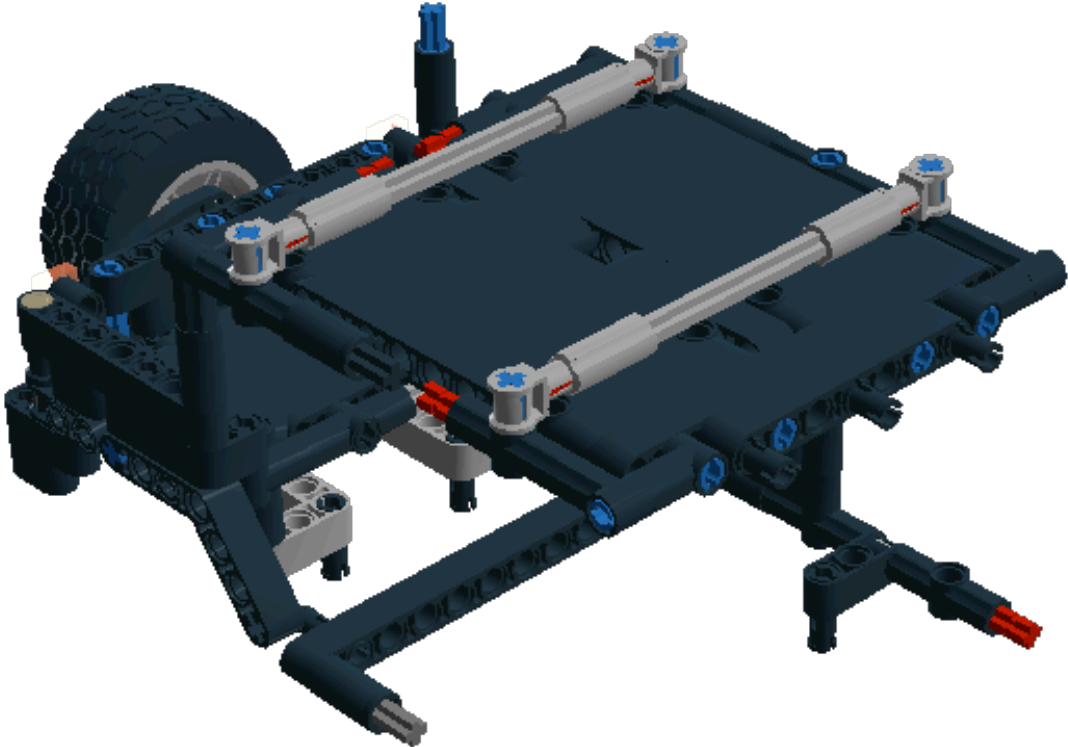
Step 103 of 319

1 x



1 x



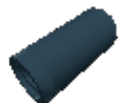


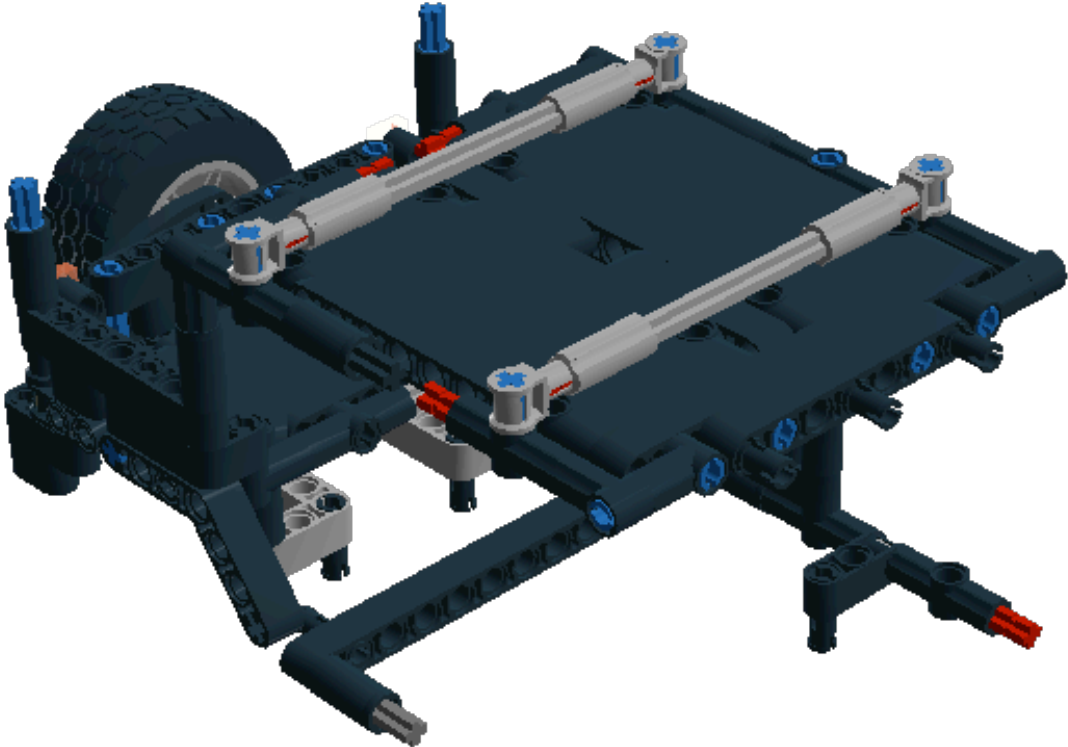
Step 105 of 319

1 x



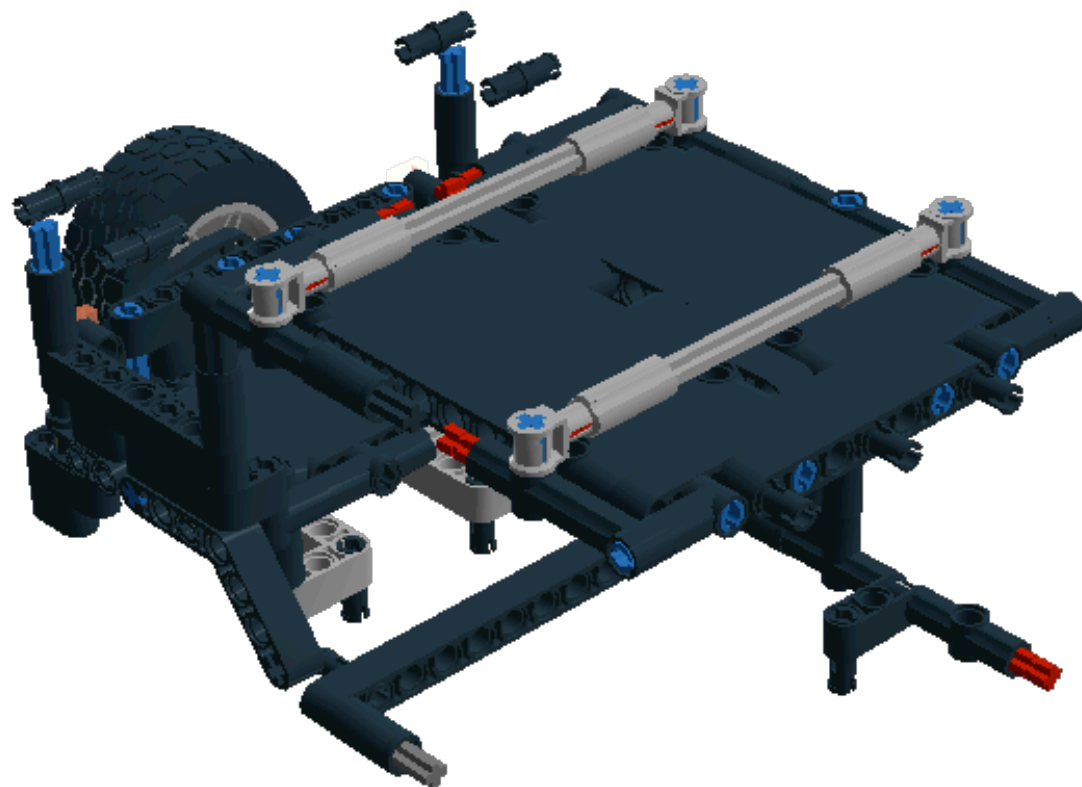
1 x





Step 107 of 319

4 x



Step 108 of 319

1 x



1 x



Step 109 of 319

1 x



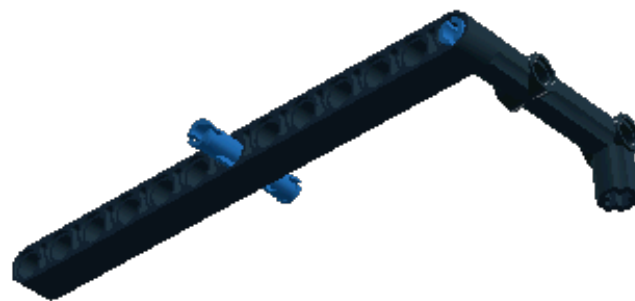
1 x



1 x



1 x



Step 110 of 319

1 x



1 x

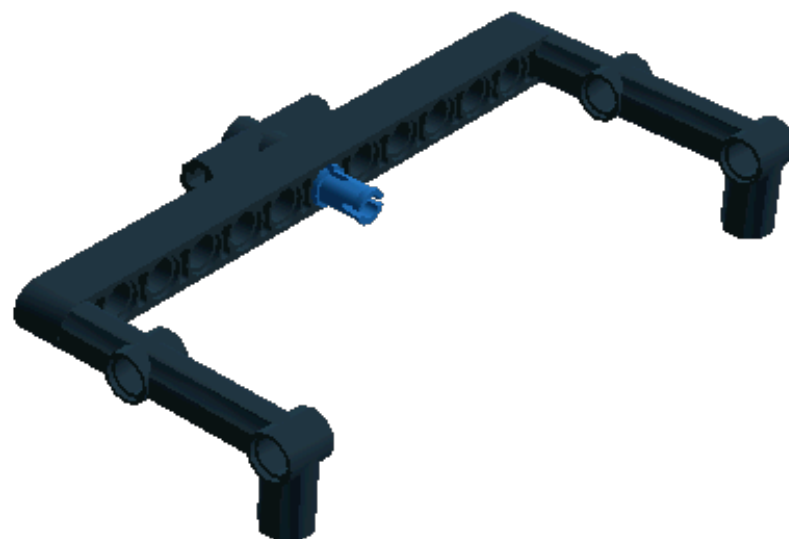


2 x



Step 111 of 319

1 x

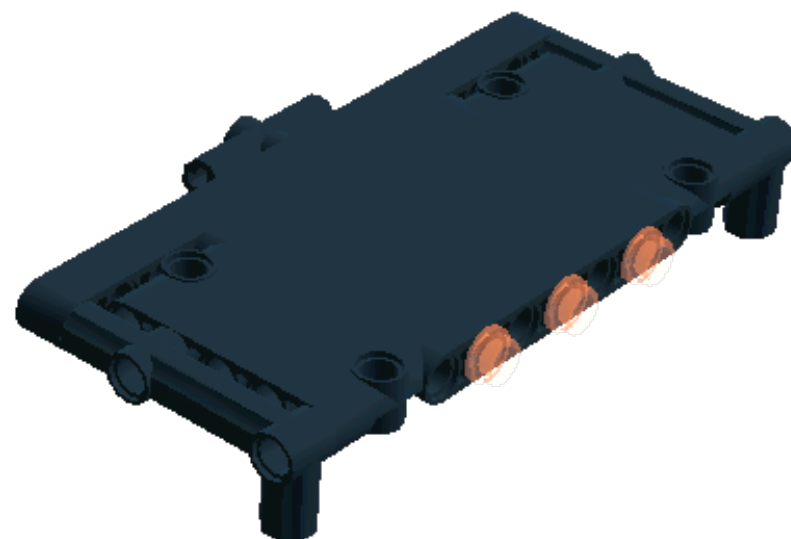


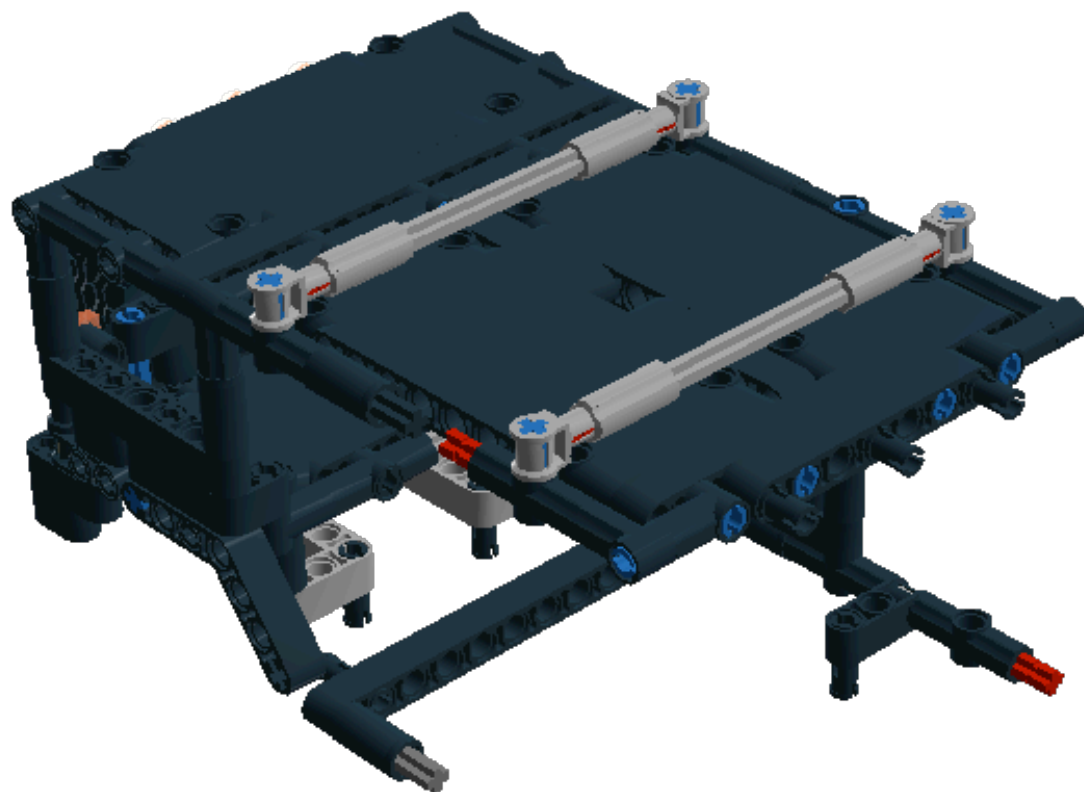
Step 112 of 319

3 x



1 x





Step 114 of 319

1 x

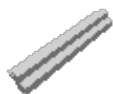


Step 115 of 319

1 x



1 x

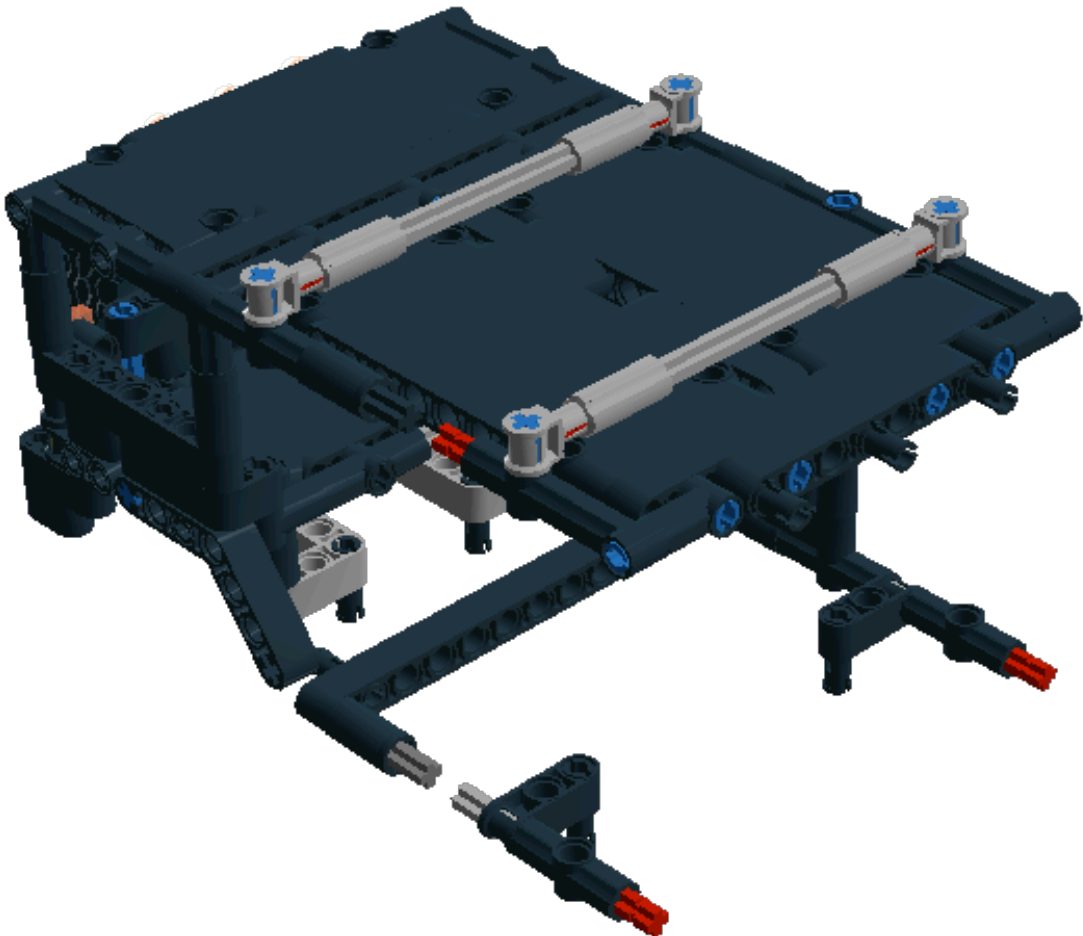


1 x



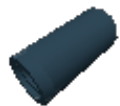
1 x



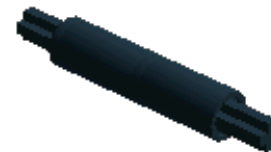


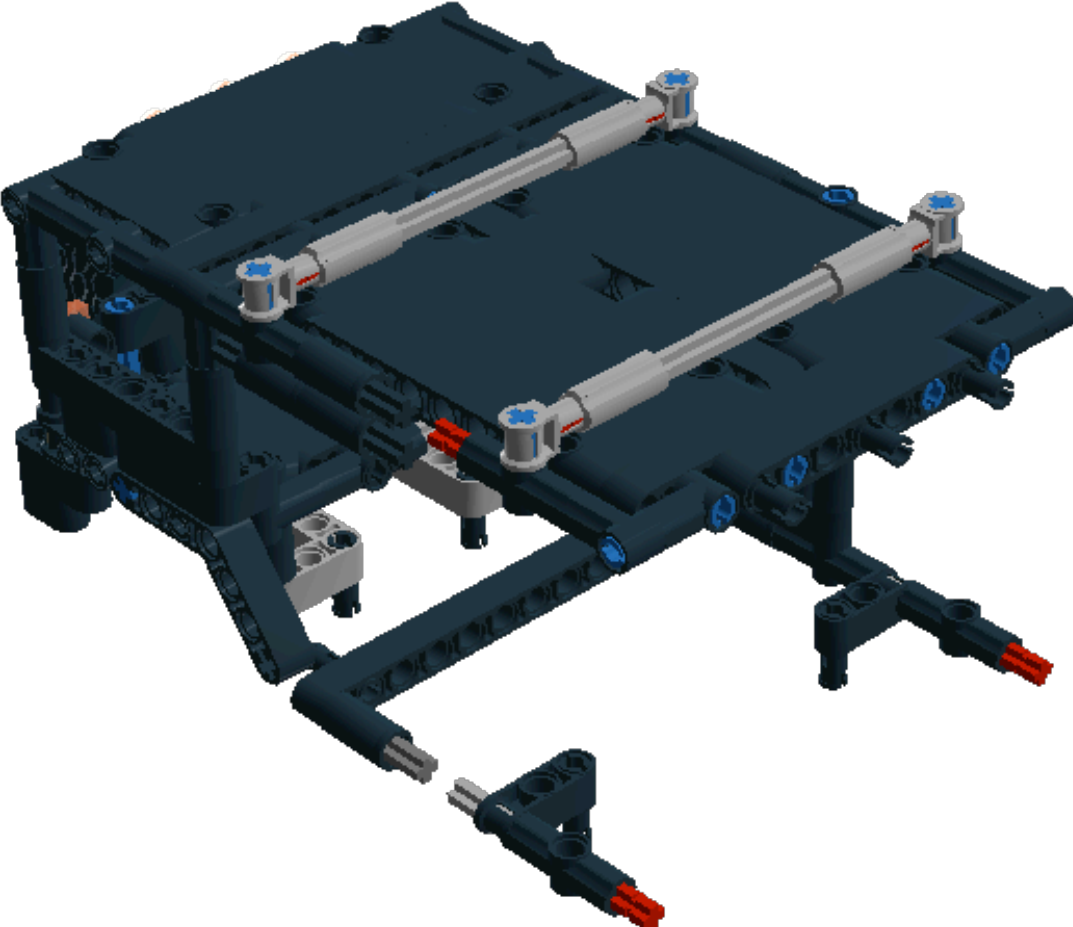
Step 117 of 319

2 x



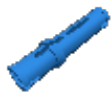
1 x





Step 119 of 319

1 x



1 x



Step 120 of 319

1 x



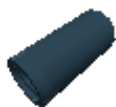
1 x



1 x

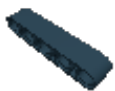


1 x



Step 121 of 319

1 x



1 x



1 x



Step 122 of 319

1 x



1 x

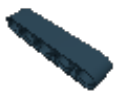


2 x



Step 123 of 319

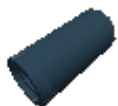
1 x



1 x



1 x



Step 124 of 319

1 x



Step 125 of 319

1 x



1 x

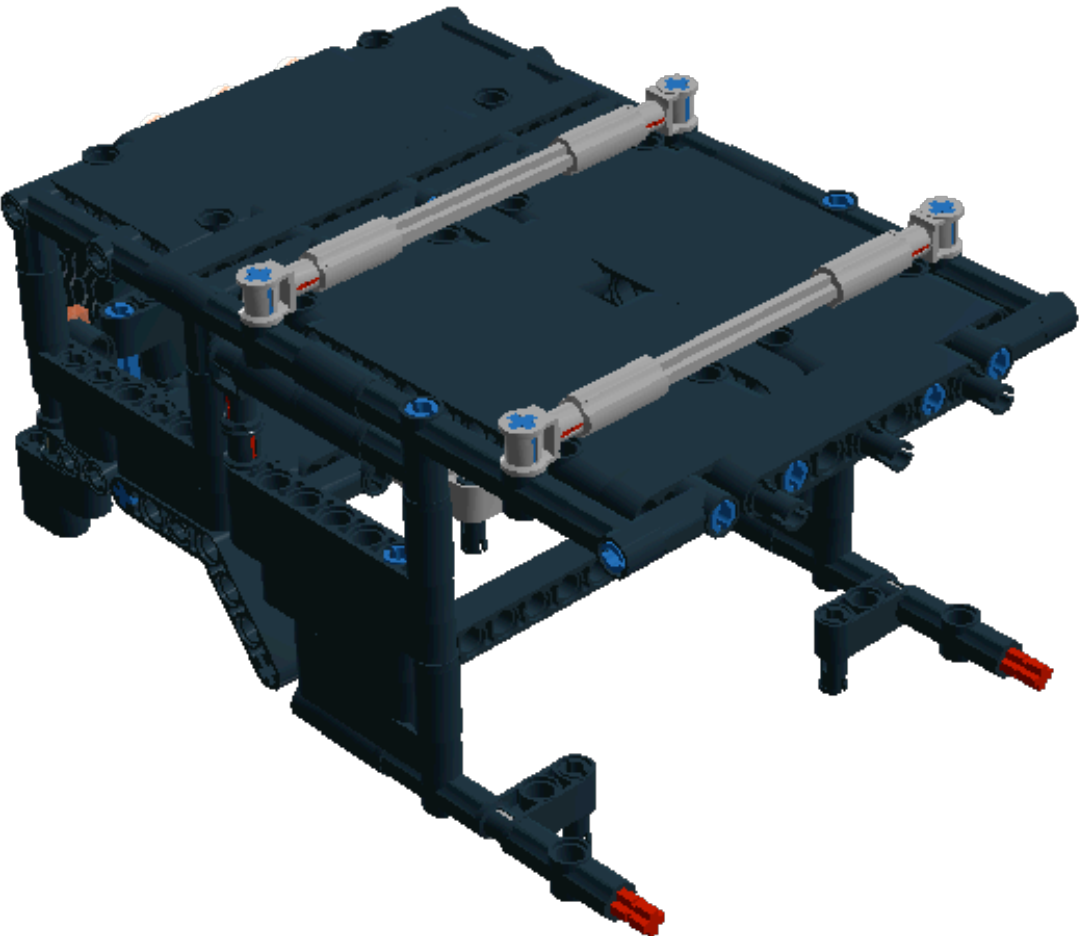


1 x



1 x



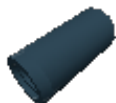


Step 127 of 319

1 x



1 x

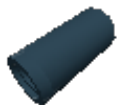


Step 128 of 319

1 x

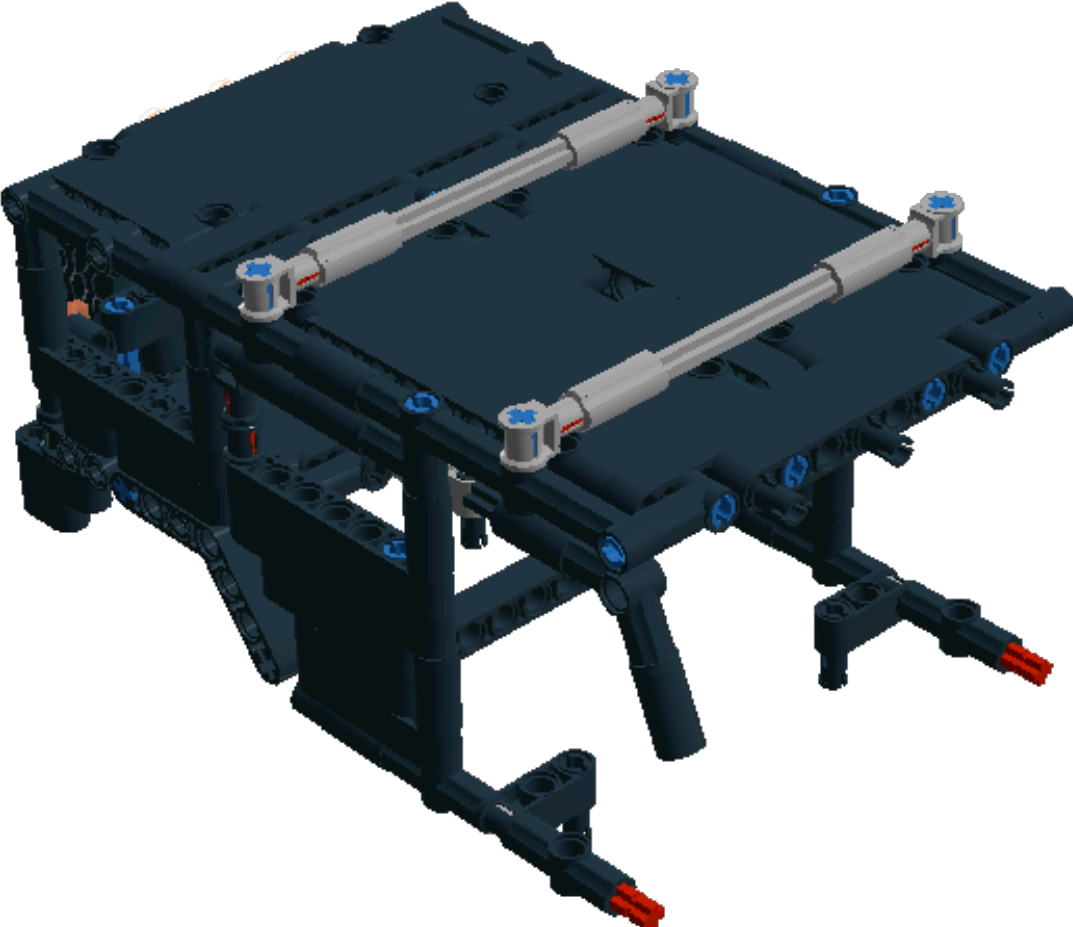


1 x



1 x





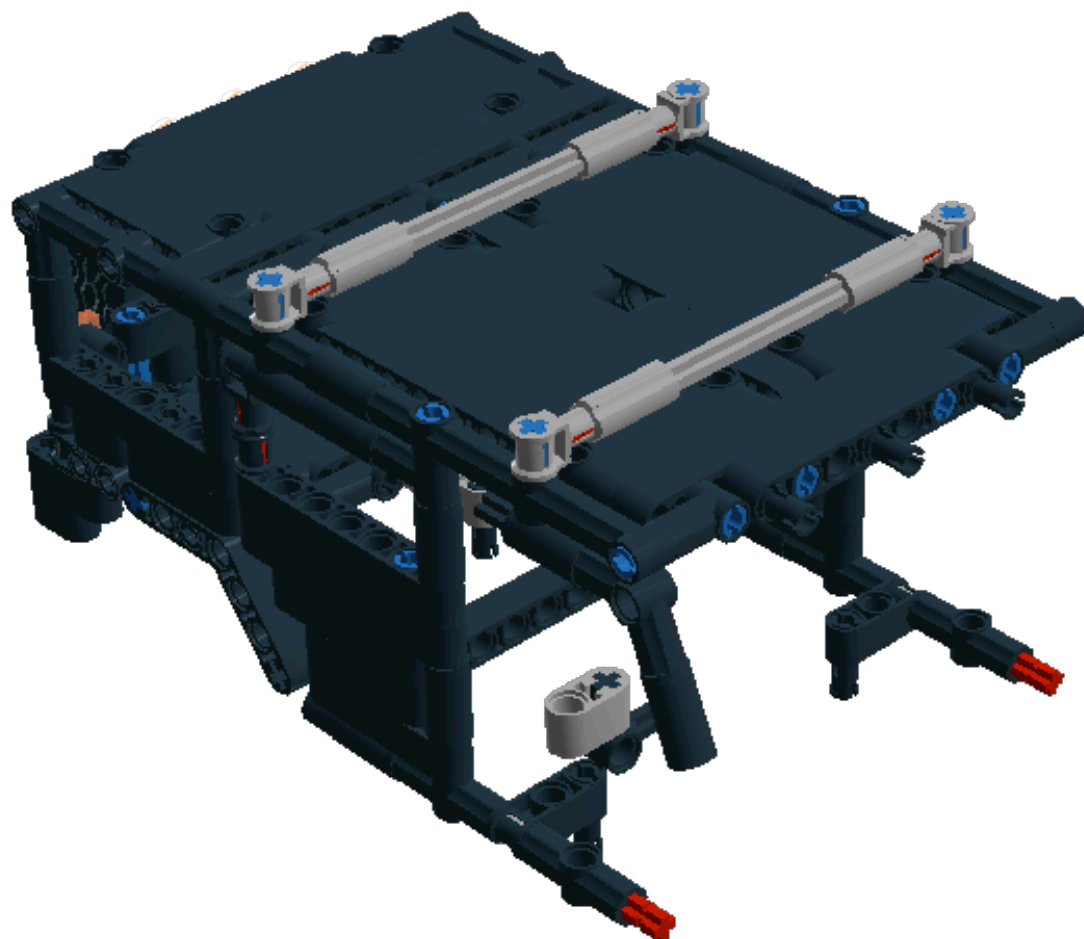
Step 130 of 319

1 x



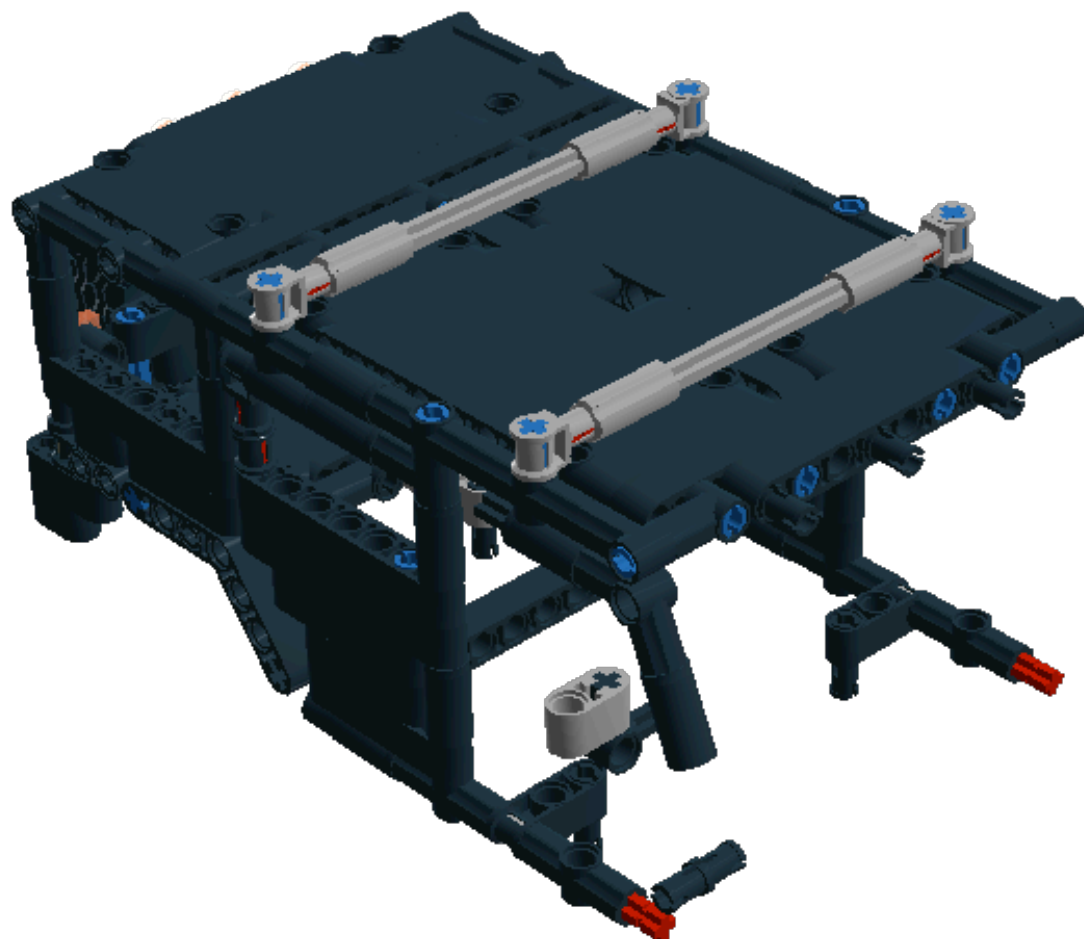
1 x





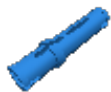
Step 132 of 319

1 x



Step 133 of 319

1 x



Step 134 of 319

2 x

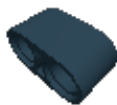


2 x



Step 135 of 319

1 x



1 x



1 x



1 x



Step 136 of 319

1 x



1 x



1 x

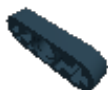


1 x



Step 137 of 319

1 x



1 x



1 x

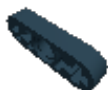


1 x



Step 138 of 319

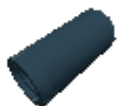
1 x



1 x

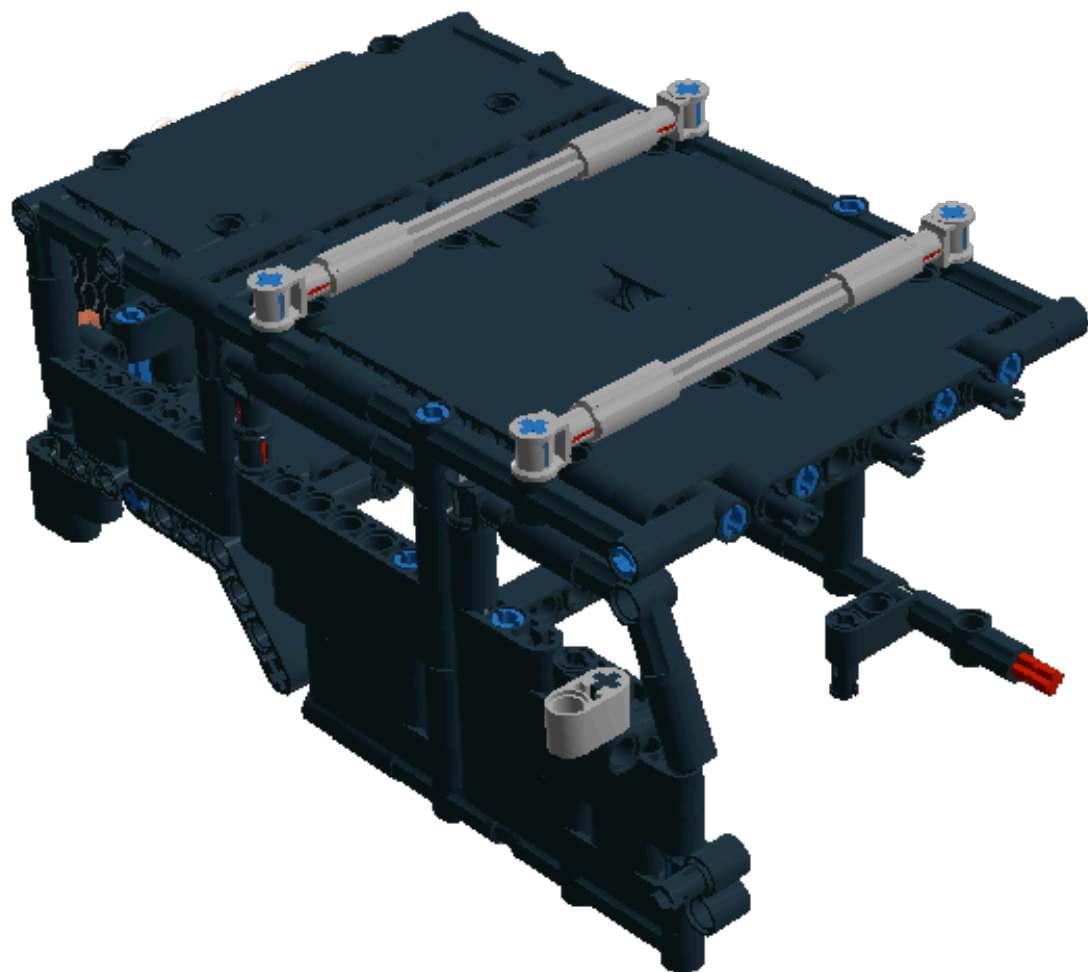


1 x



1 x





Step 140 of 319

1 x



Step 141 of 319

1 x



1 x



1 x



1 x



Step 142 of 319

1 x



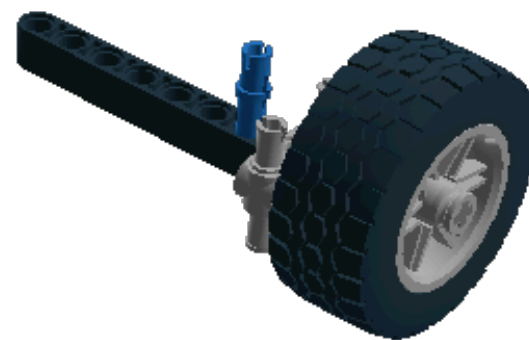
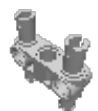
1 x



1 x

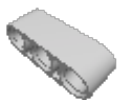


1 x



Step 143 of 319

1 x



1 x



1 x



1 x



Step 144 of 319

1 x



2 x



1 x



Step 145 of 319

1 x



2 x



1 x



Step 146 of 319

1 x



Step 147 of 319

1 x



Step 148 of 319

1 x



Step 149 of 319

1 x



1 x



Step 150 of 319

1 x



Step 151 of 319

1 x



1 x



1 x



1 x



Step 152 of 319

1 x



1 x



1 x



1 x



Step 153 of 319

1 x



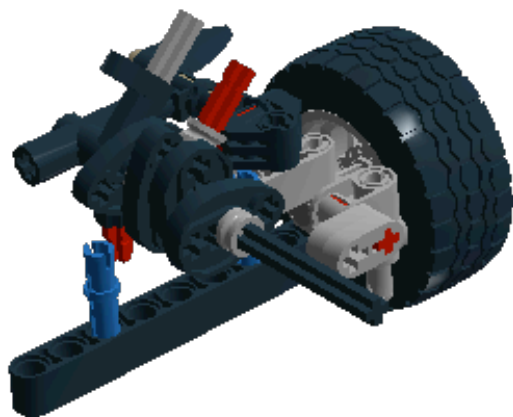
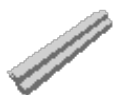
1 x



1 x



1 x



Step 154 of 319

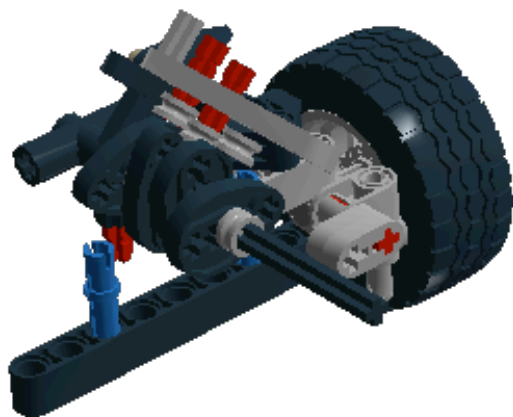
1 x



2 x



1 x

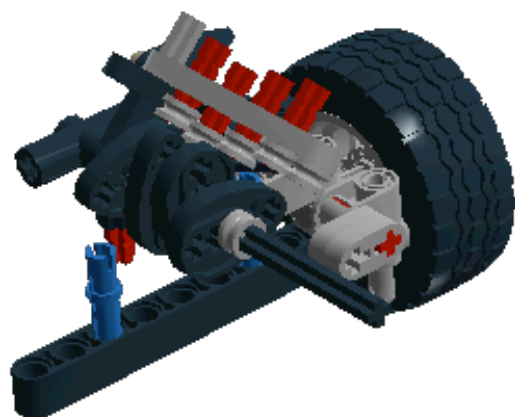


Step 155 of 319

2 x

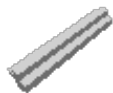


2 x



Step 156 of 319

1 x



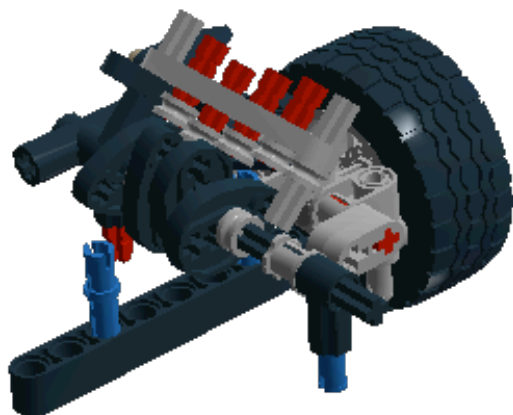
1 x



1 x



1 x



Step 157 of 319

1 x



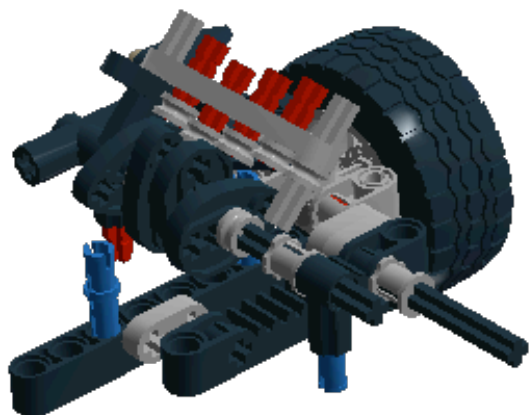
1 x



1 x



1 x



Step 158 of 319

1 x



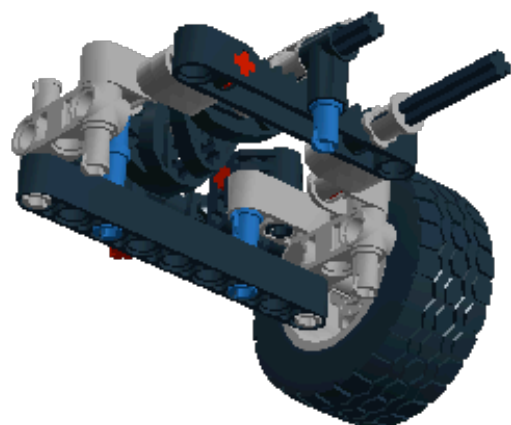
1 x



1 x

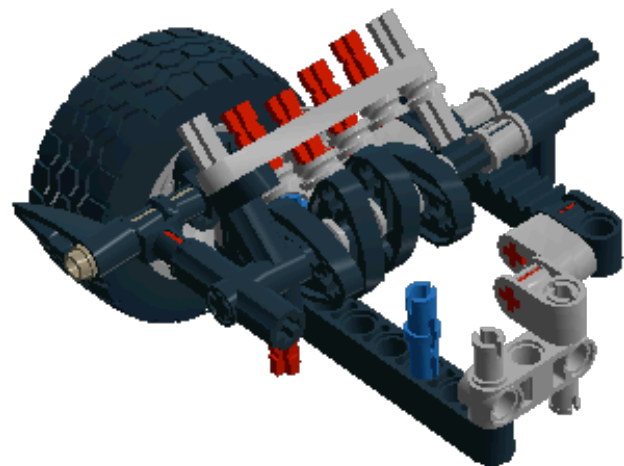


1 x



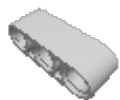
Step 159 of 319

1 x

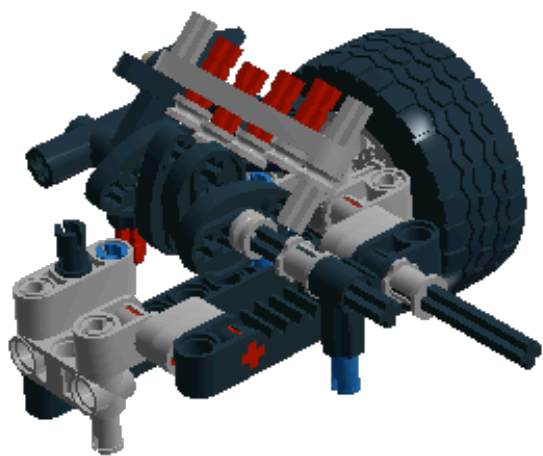


Step 160 of 319

1 x



1 x



Step 161 of 319

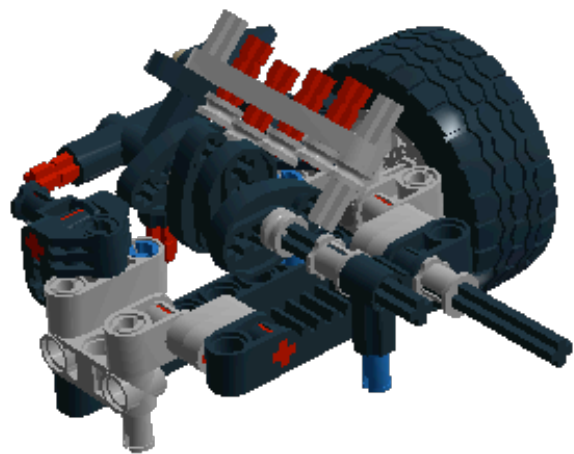
2 x



1 x



1 x



Step 162 of 319

1 x



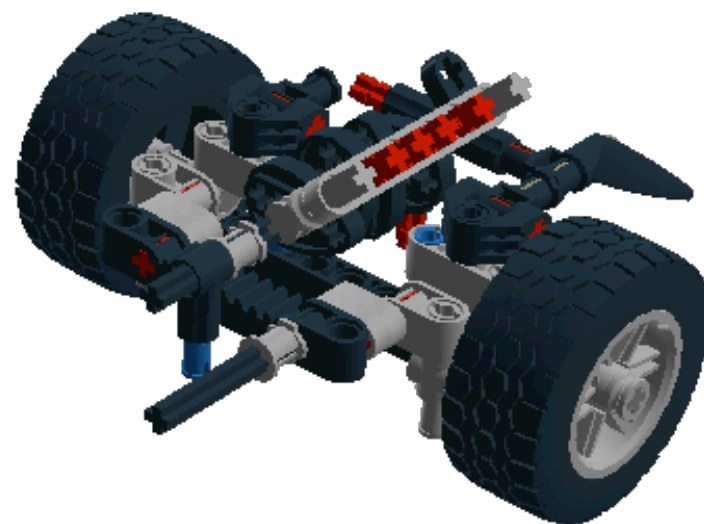
1 x



1 x



1 x



Step 163 of 319

1 x



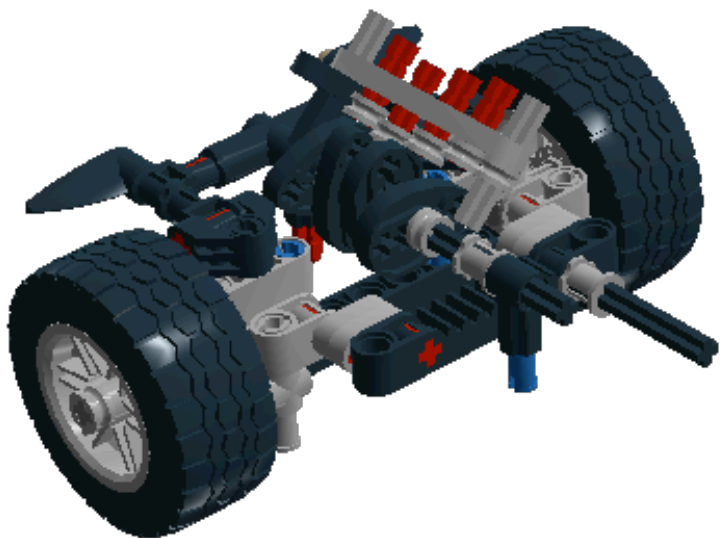
1 x



1 x



1 x



Step 164 of 319

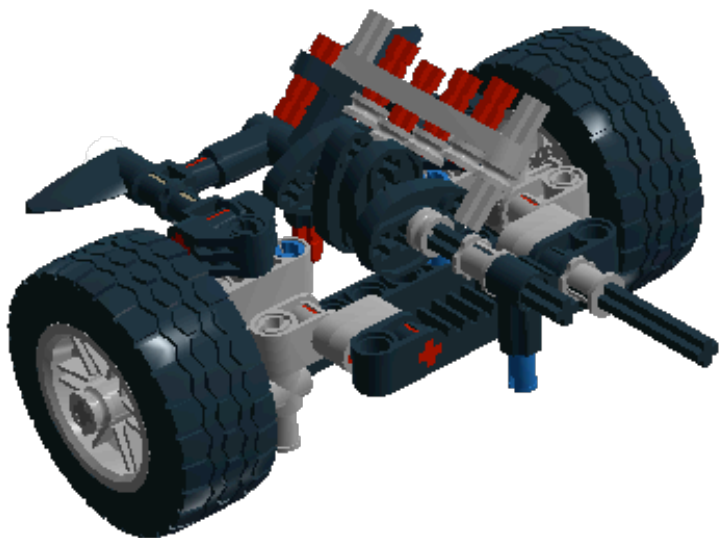
2 x



1 x

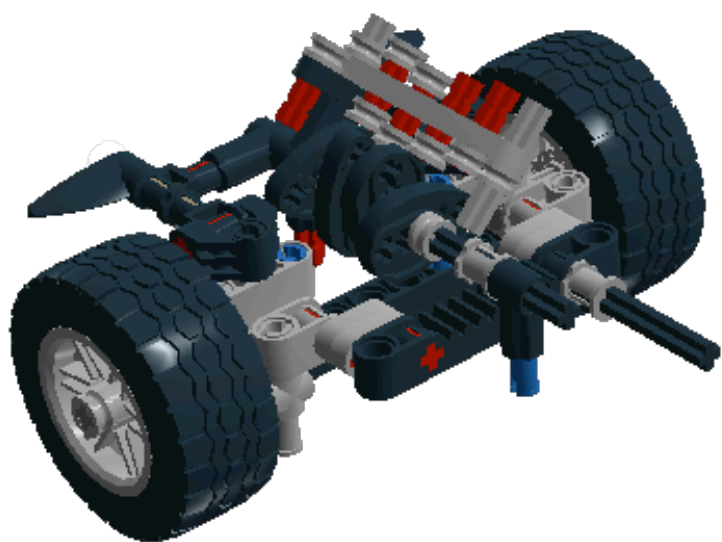


1 x



Step 165 of 319

4 x



Step 166 of 319

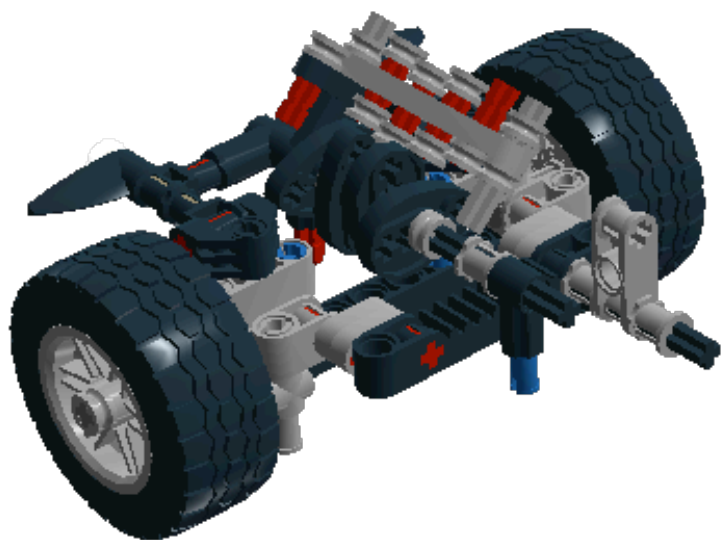
2 x



1 x



1 x



Step 167 of 319

1 x



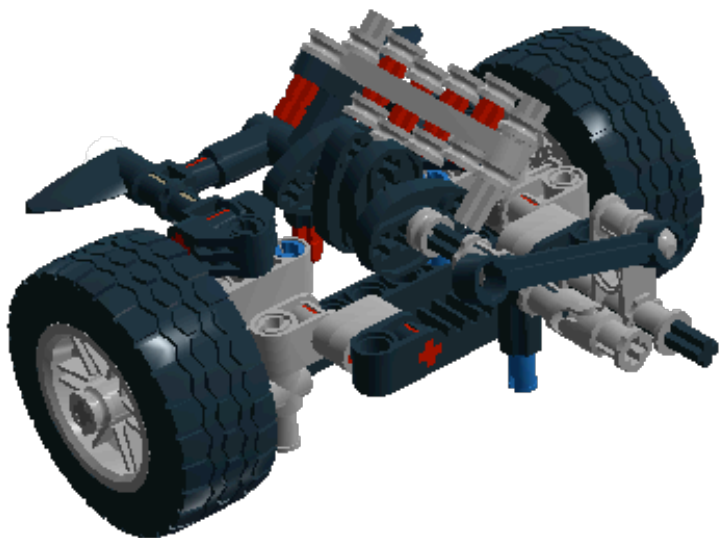
1 x

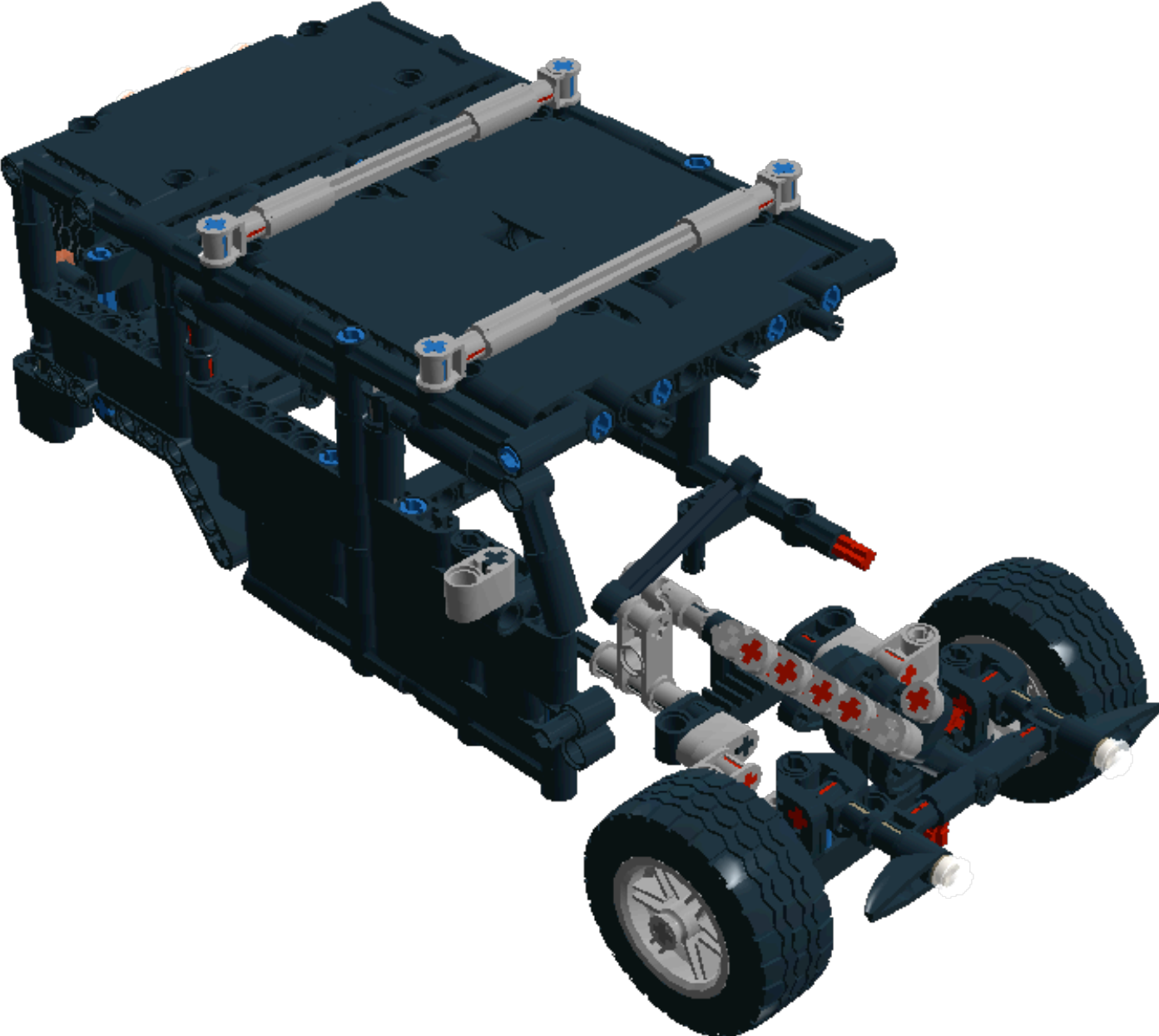


1 x



1 x



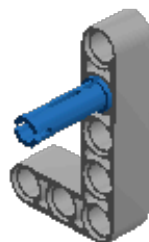


Step 169 of 319

1 x

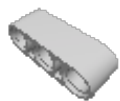


1 x

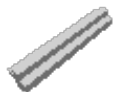


Step 170 of 319

1 x



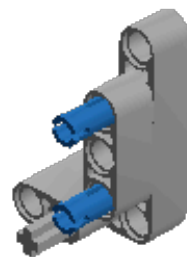
1 x



1 x



1 x



Step 171 of 319

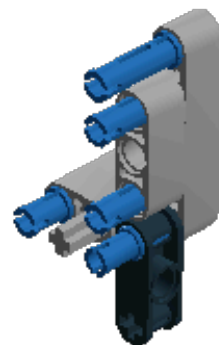
1 x



2 x



1 x



Step 172 of 319

1 x



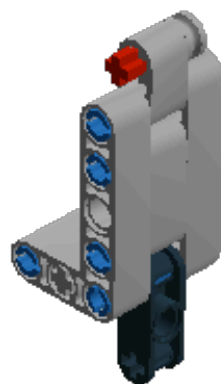
1 x



1 x

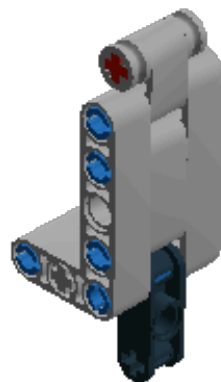


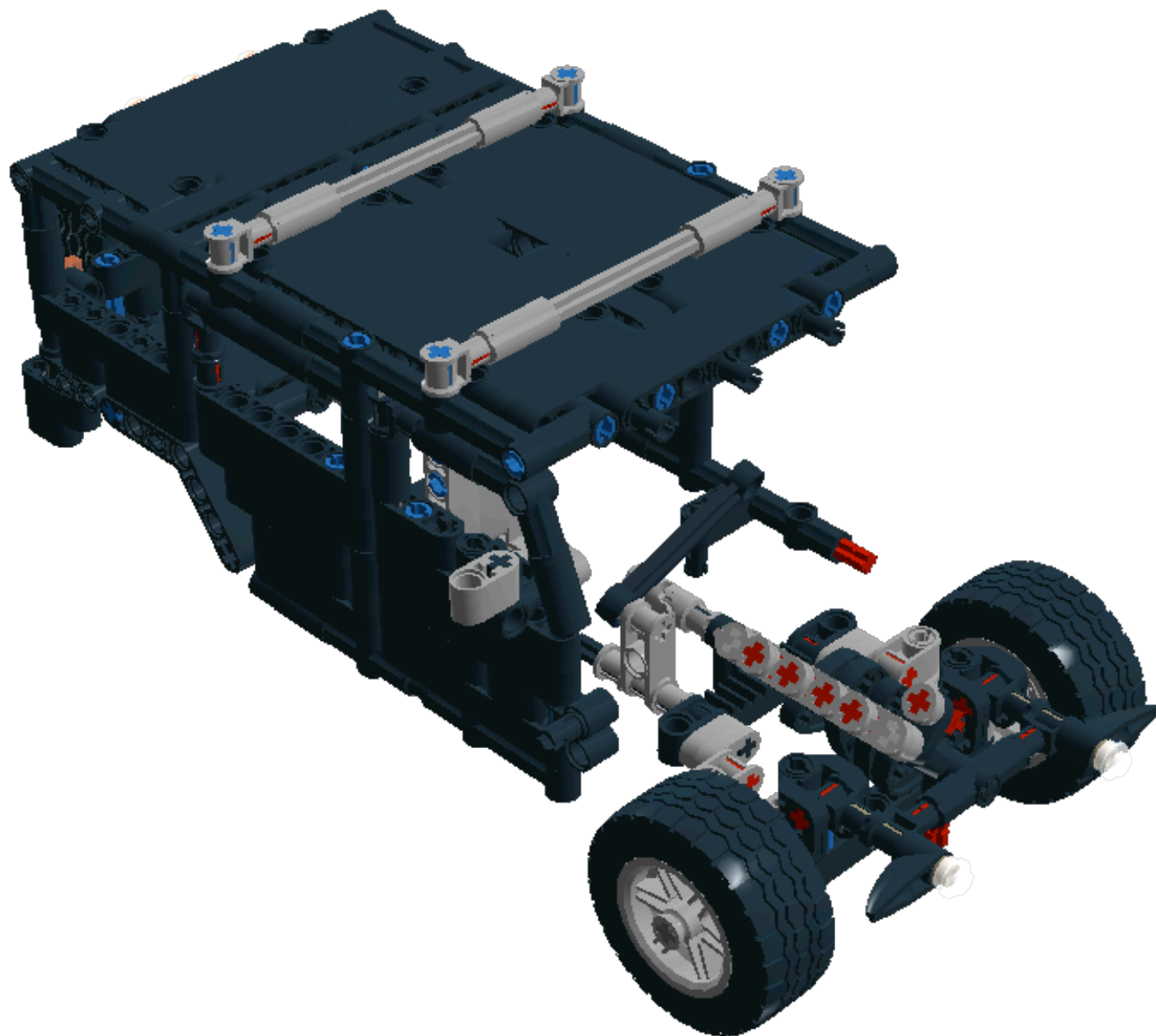
1 x



Step 173 of 319

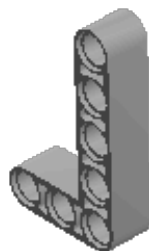
1 x





Step 175 of 319

1 x



Step 176 of 319

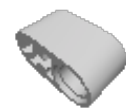
1 x



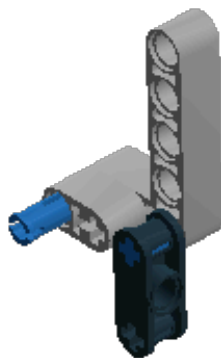
1 x



1 x

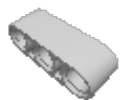


1 x

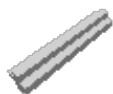


Step 177 of 319

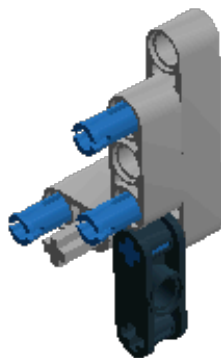
1 x



1 x



2 x



Step 178 of 319

1 x



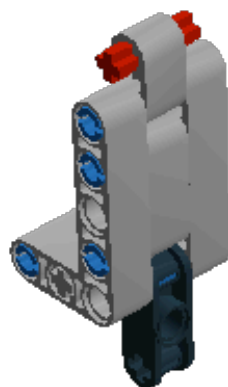
1 x



1 x

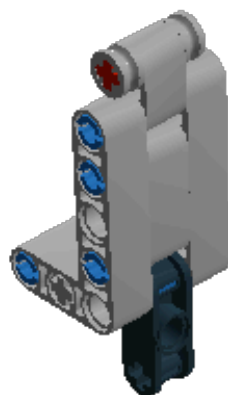


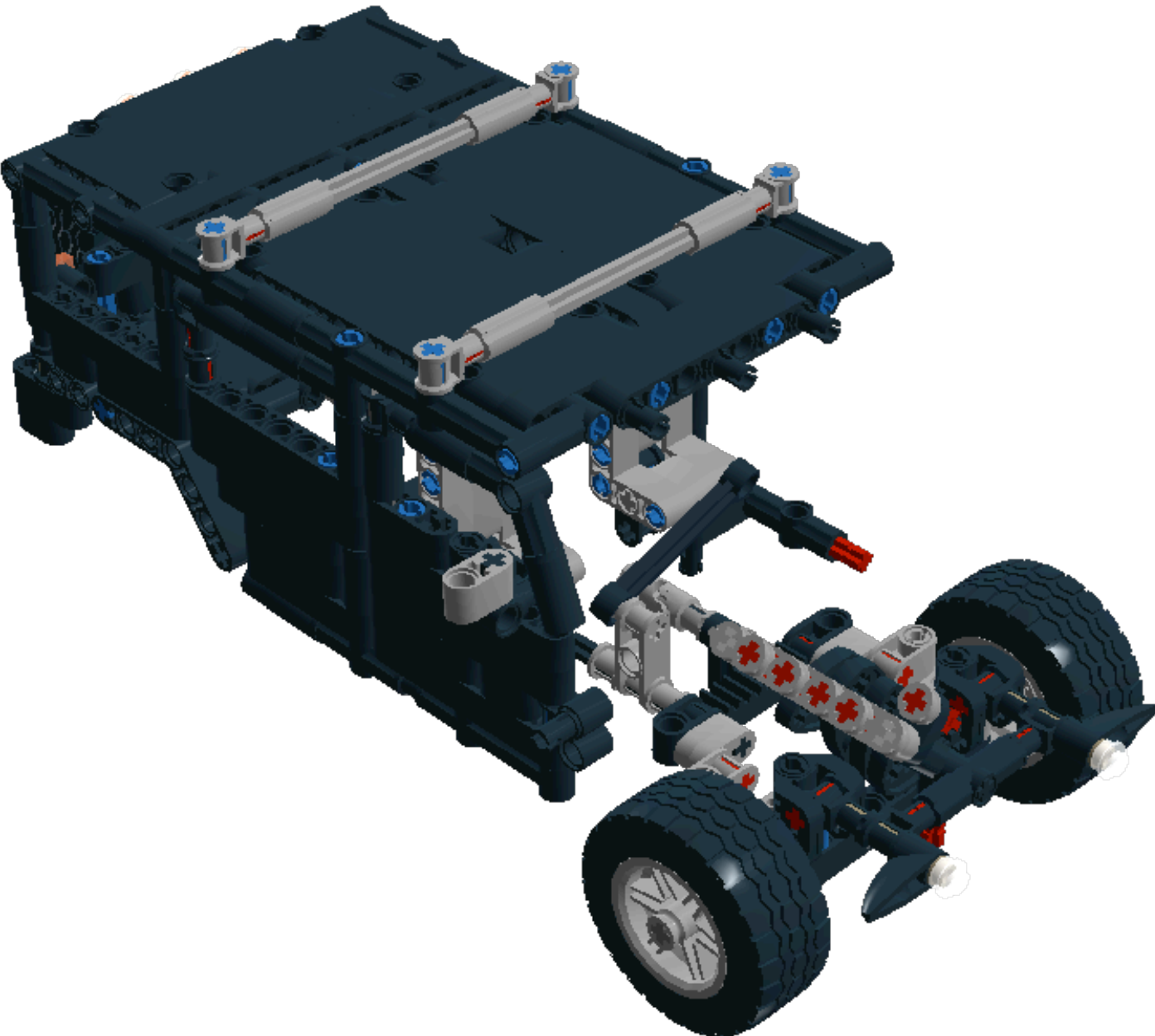
1 x



Step 179 of 319

2 x





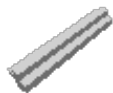
Step 181 of 319

1 x



Step 182 of 319

1 x



1 x



1 x



1 x



Step 183 of 319

2 x



1 x

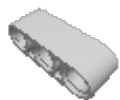


1 x



Step 184 of 319

1 x



1 x



1 x

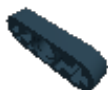


1 x



Step 185 of 319

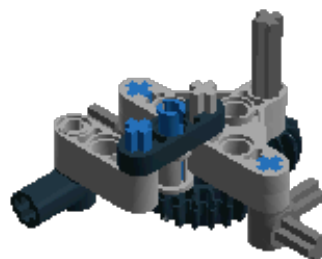
1 x



1 x

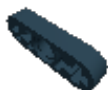


2 x



Step 186 of 319

1 x



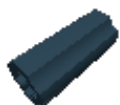
1 x



1 x

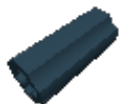


1 x



Step 187 of 319

1 x



1 x

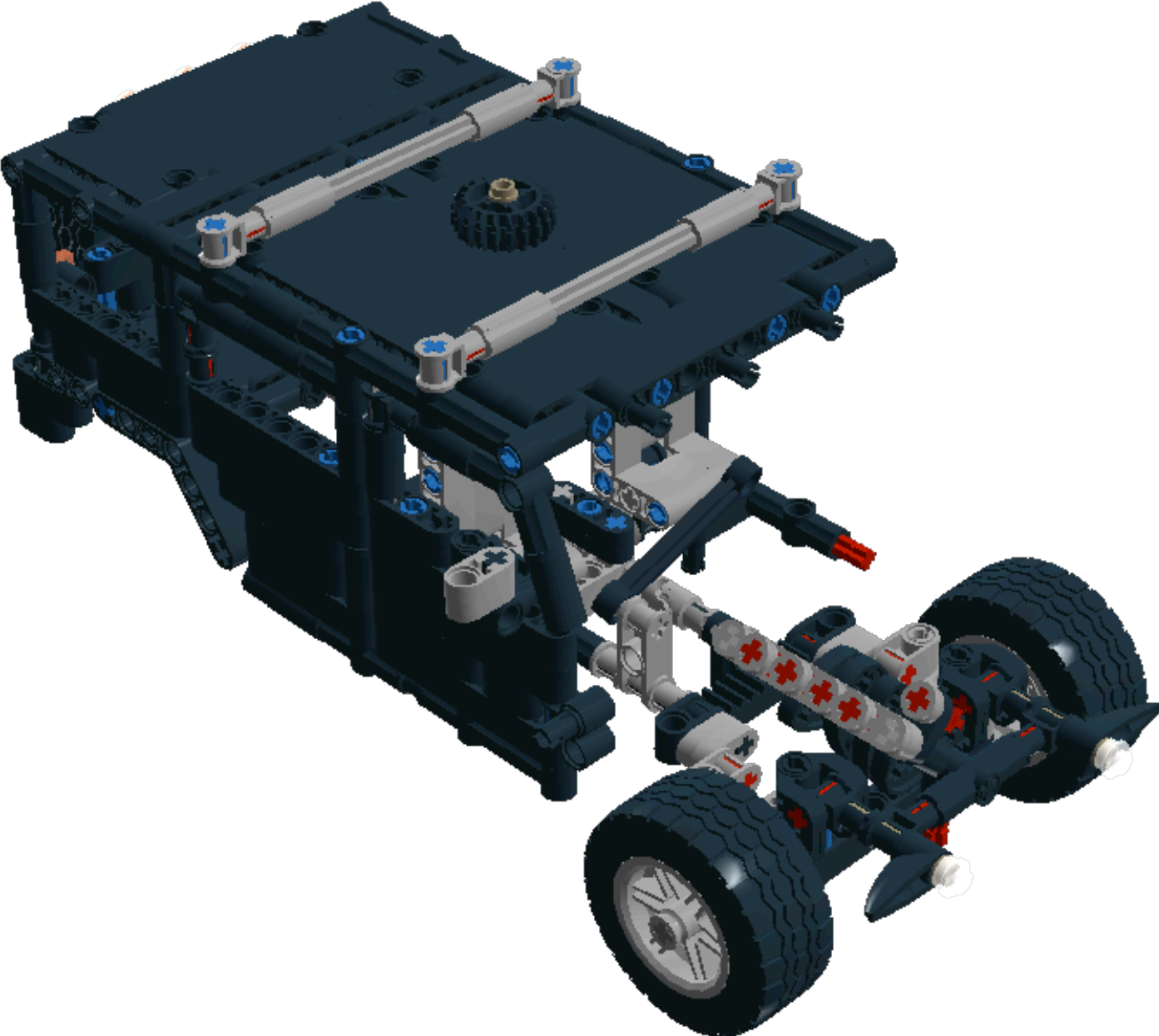


1 x



1 x



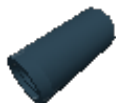


Step 189 of 319

1 x



1 x

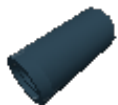


Step 190 of 319

1 x

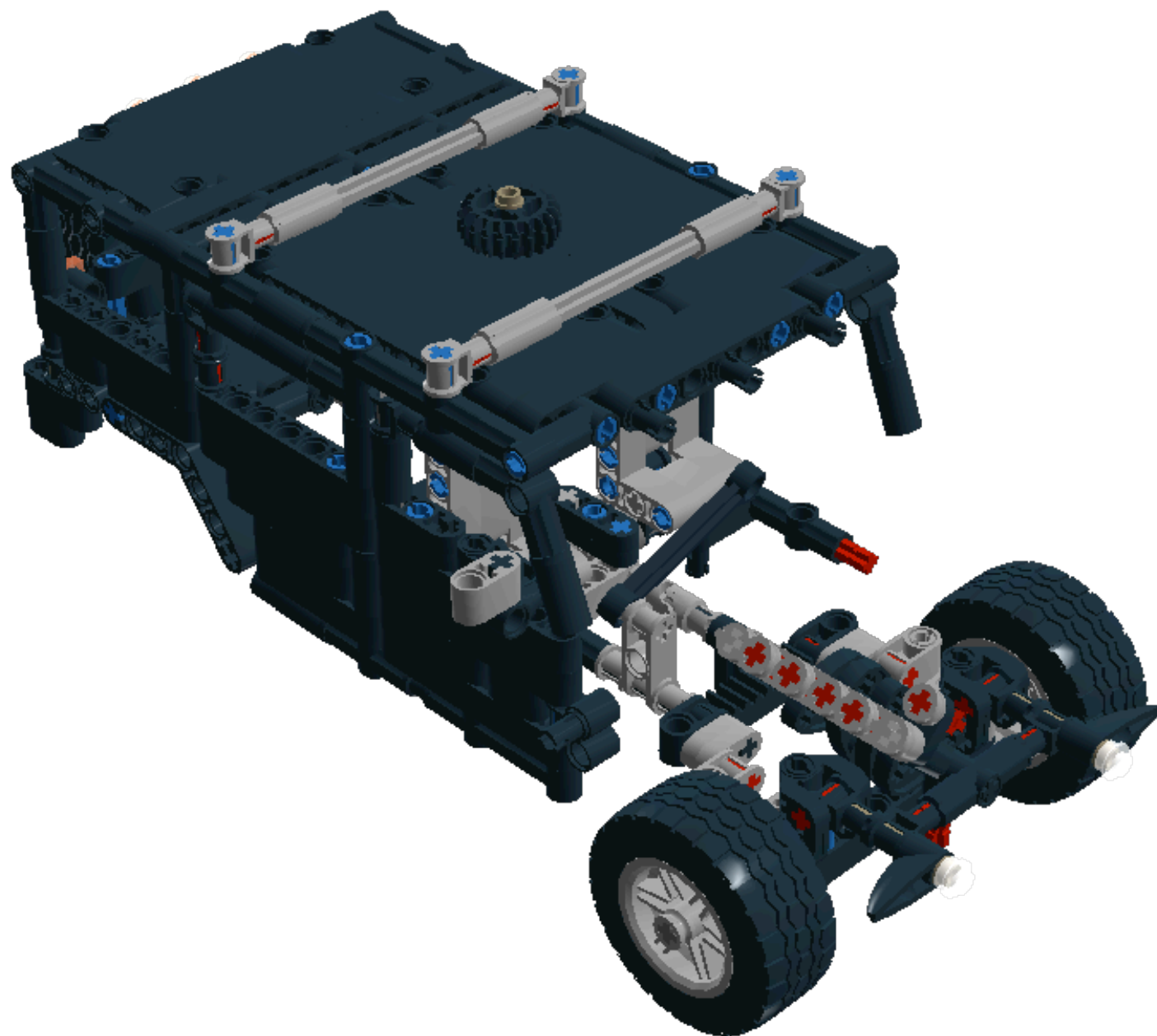


1 x



1 x





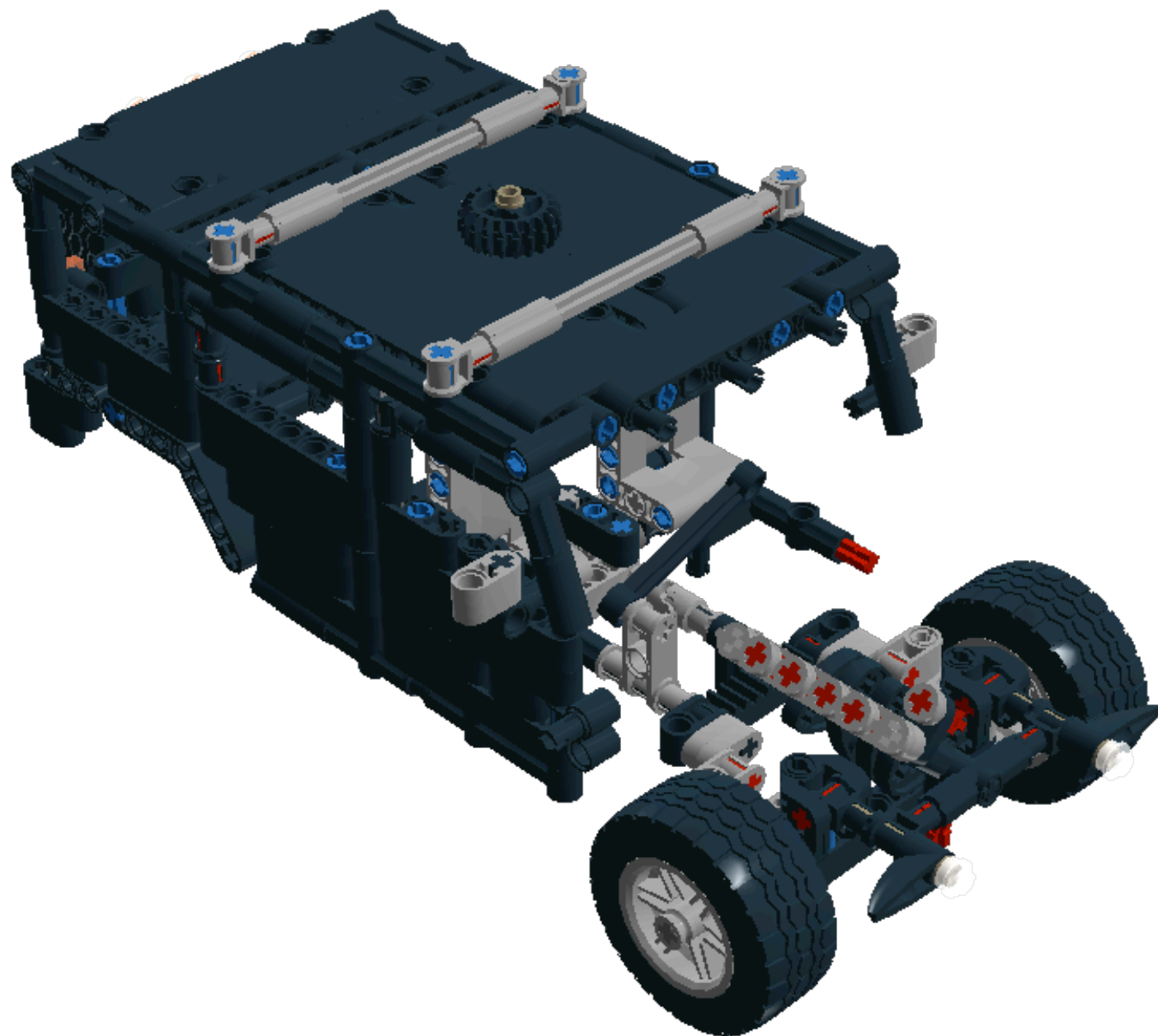
Step 192 of 319

1 x



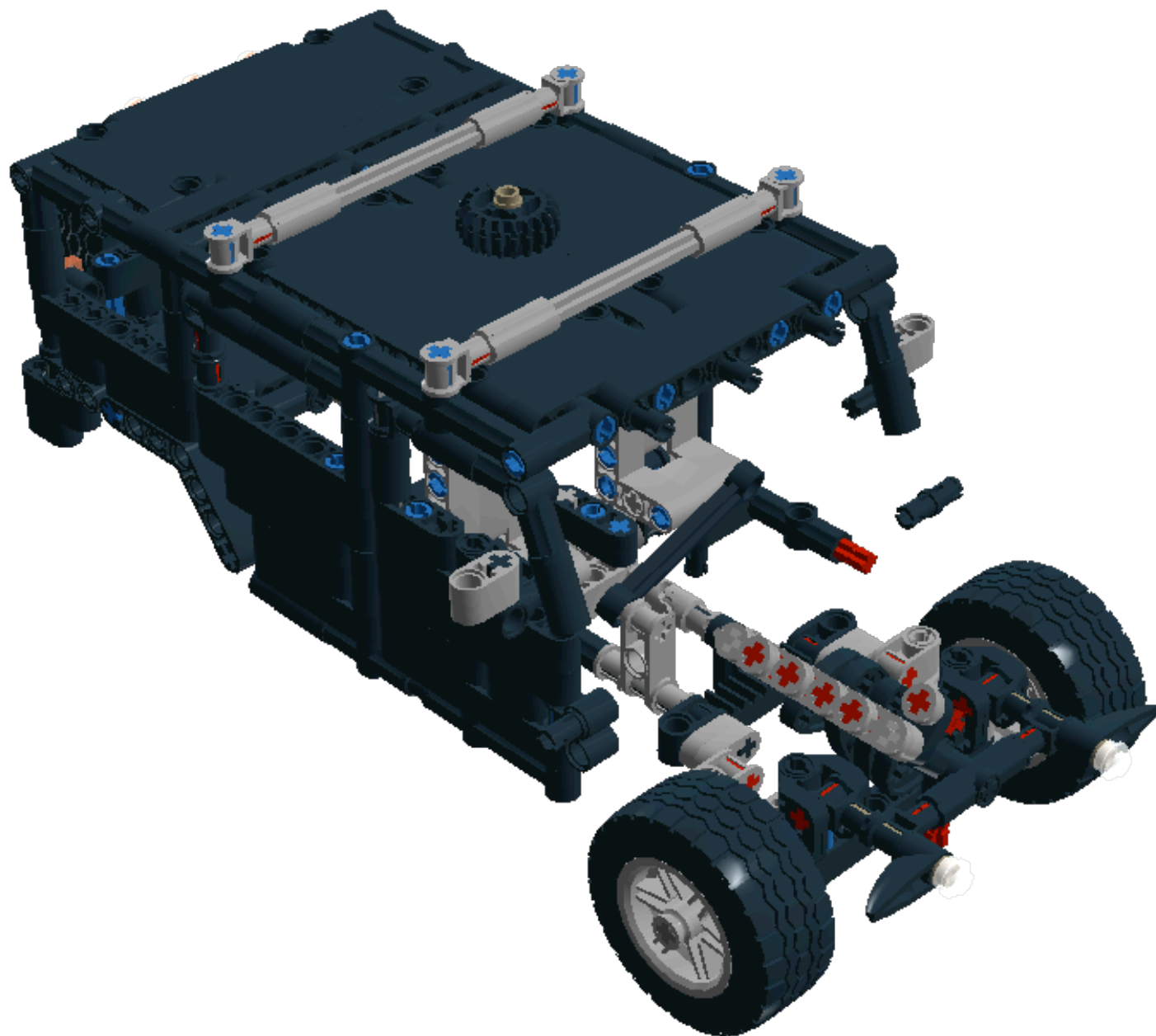
1 x





Step 194 of 319

1 x



Step 195 of 319

2 x



1 x



Step 196 of 319

1 x

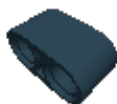


3 x



Step 197 of 319

1 x



1 x



1 x



1 x



Step 198 of 319

1 x



1 x



1 x

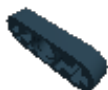


1 x



Step 199 of 319

1 x



1 x



1 x

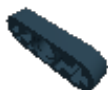


1 x



Step 200 of 319

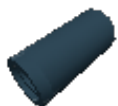
1 x

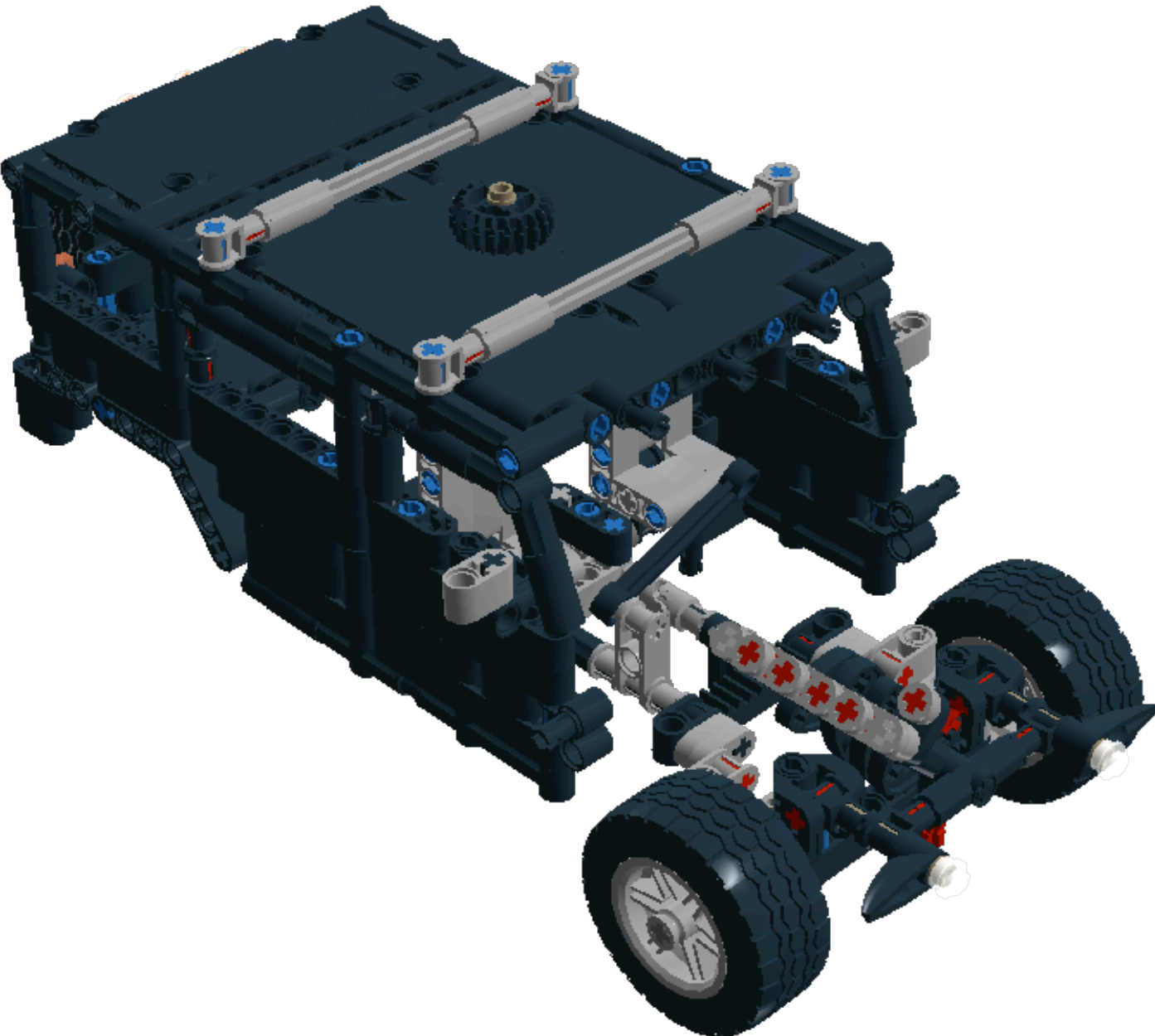


1 x



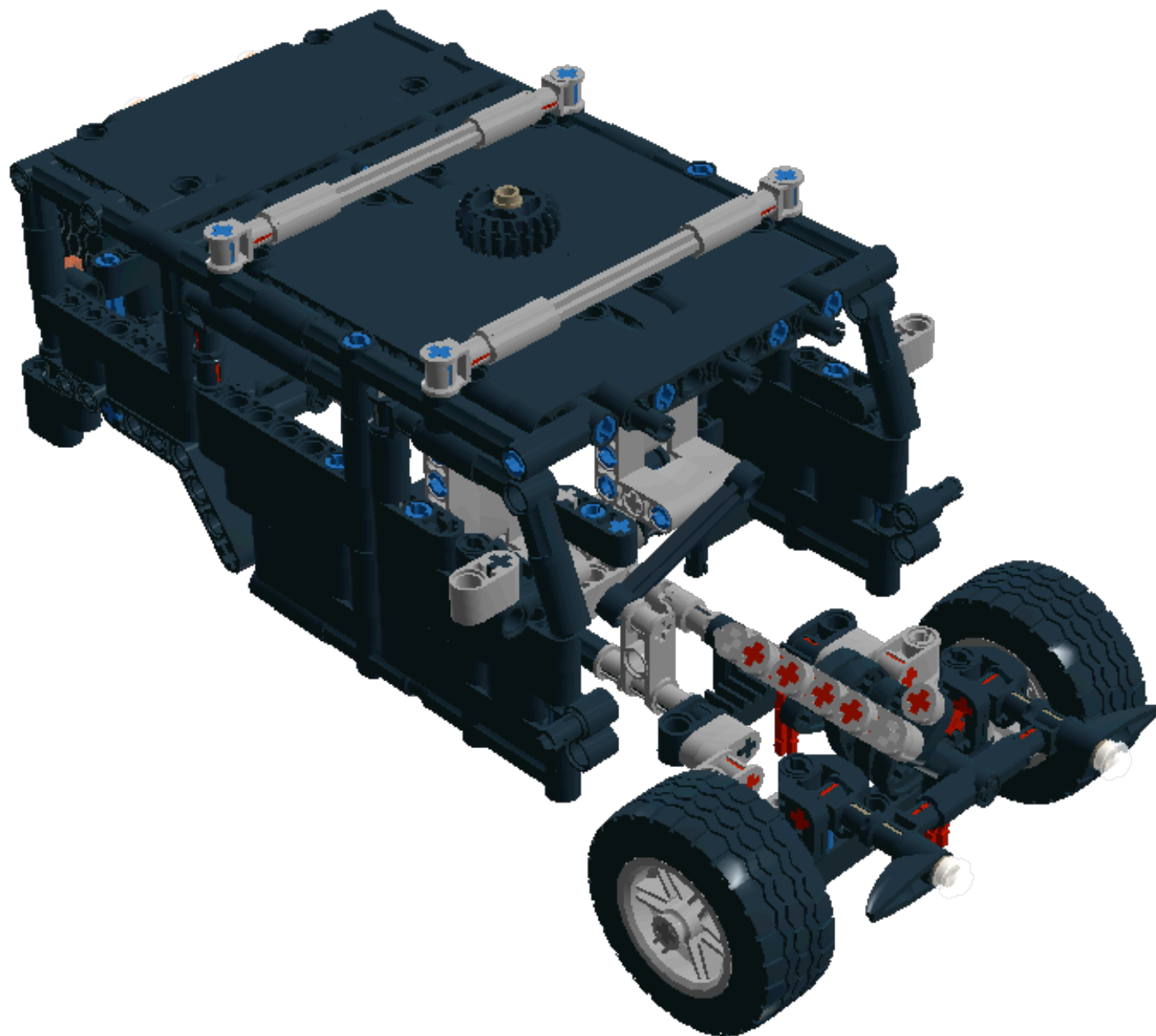
1 x





Step 202 of 319

1 x



Step 203 of 319

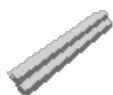
1 x



1 x



1 x



1 x



Step 204 of 319

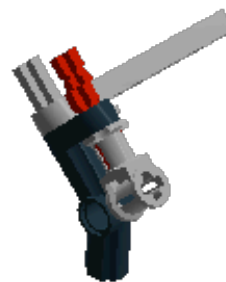
1 x



2 x



1 x



Step 205 of 319

2 x



2 x



Step 206 of 319

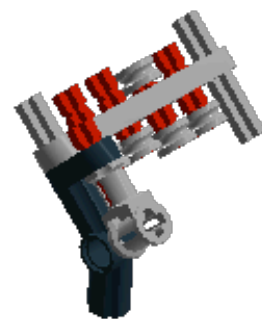
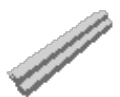
2 x



1 x



1 x



Step 207 of 319

3 x



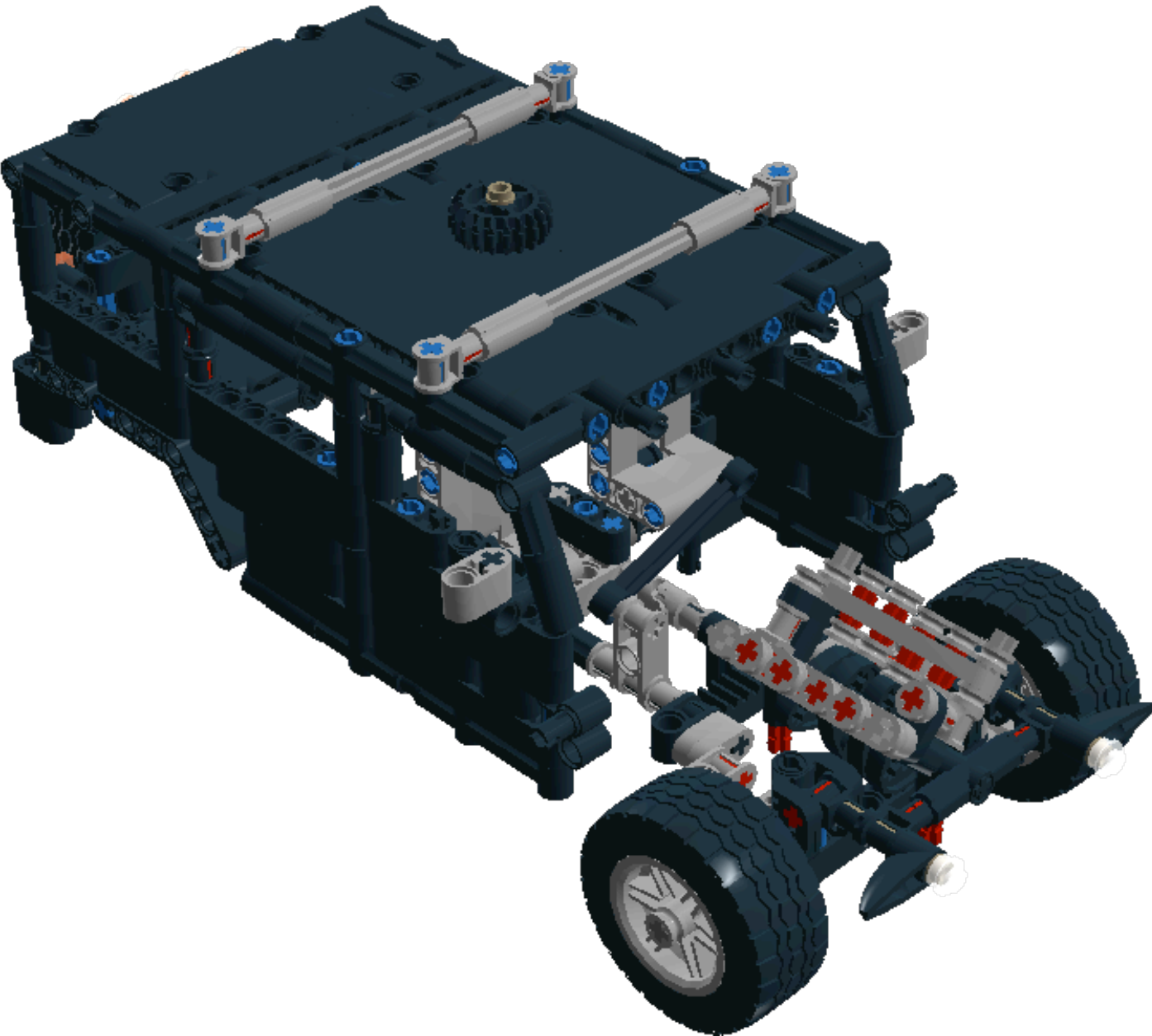
1 x



Step 208 of 319

4 x





Step 210 of 319

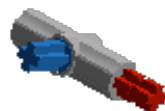
1 x



1 x



1 x

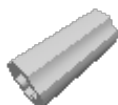


Step 211 of 319

1 x



1 x

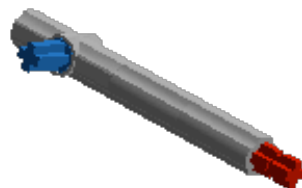


Step 212 of 319

1 x



1 x

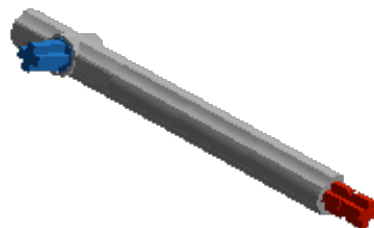


Step 213 of 319

1 x



1 x



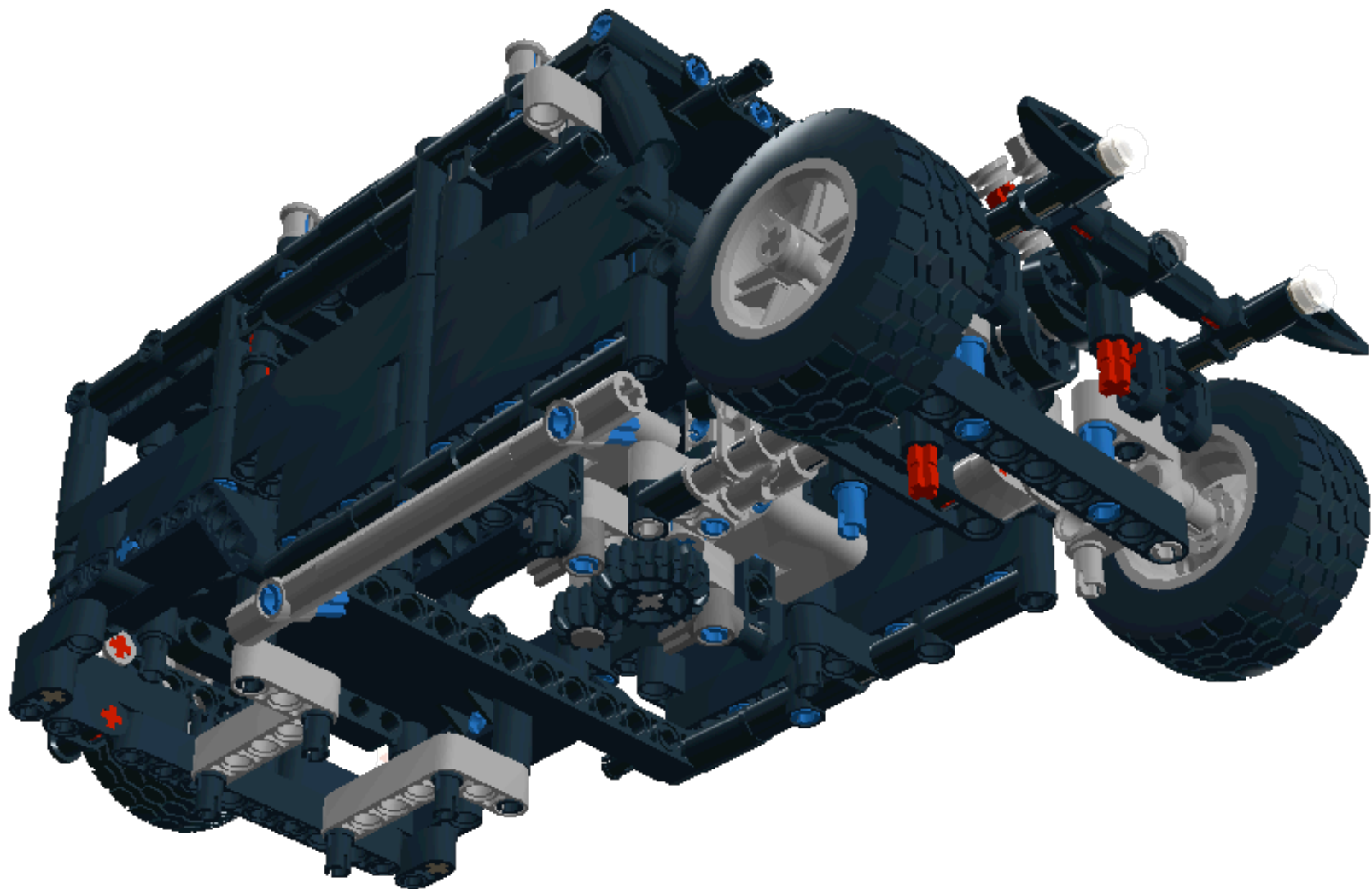
Step 214 of 319

1 x



1 x





Step 216 of 319

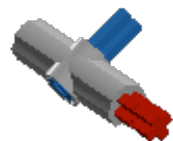
1 x



1 x



1 x

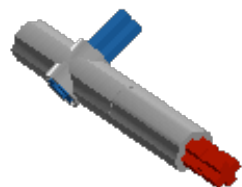
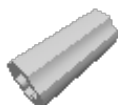


Step 217 of 319

1 x



1 x

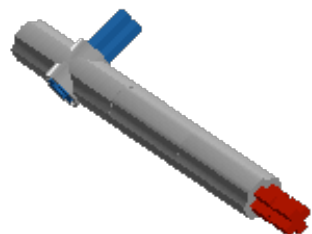


Step 218 of 319

1 x



1 x

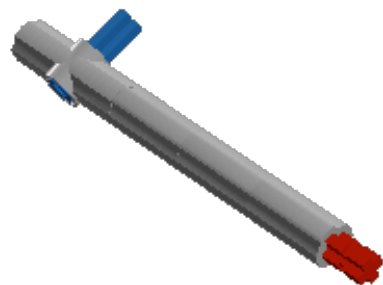
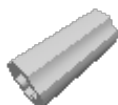


Step 219 of 319

1 x



1 x

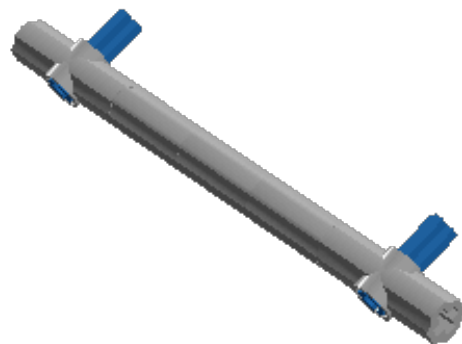


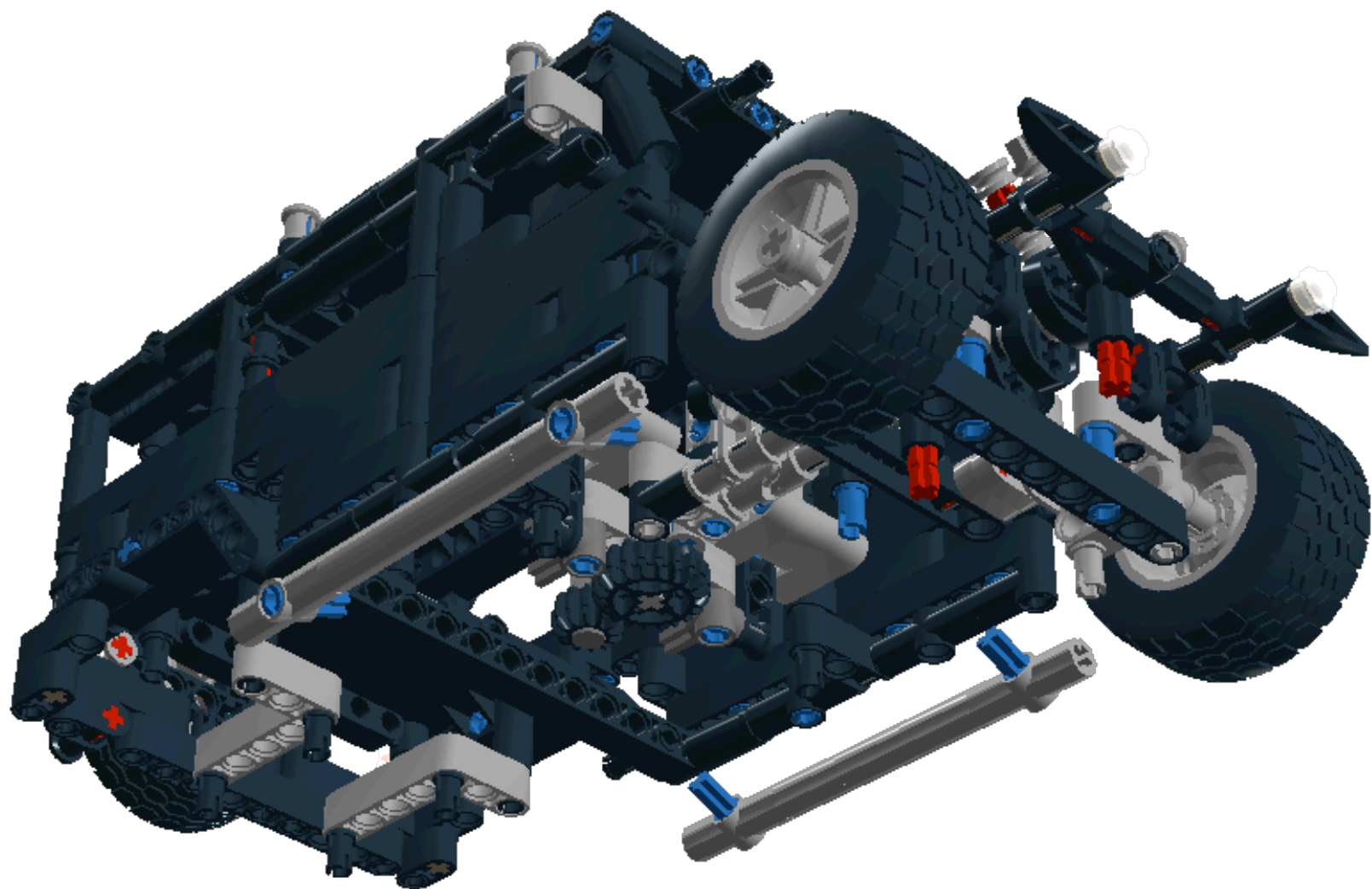
Step 220 of 319

1 x



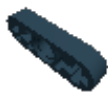
1 x



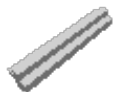


Step 222 of 319

2 x



2 x

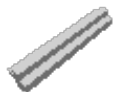


Step 223 of 319

2 x

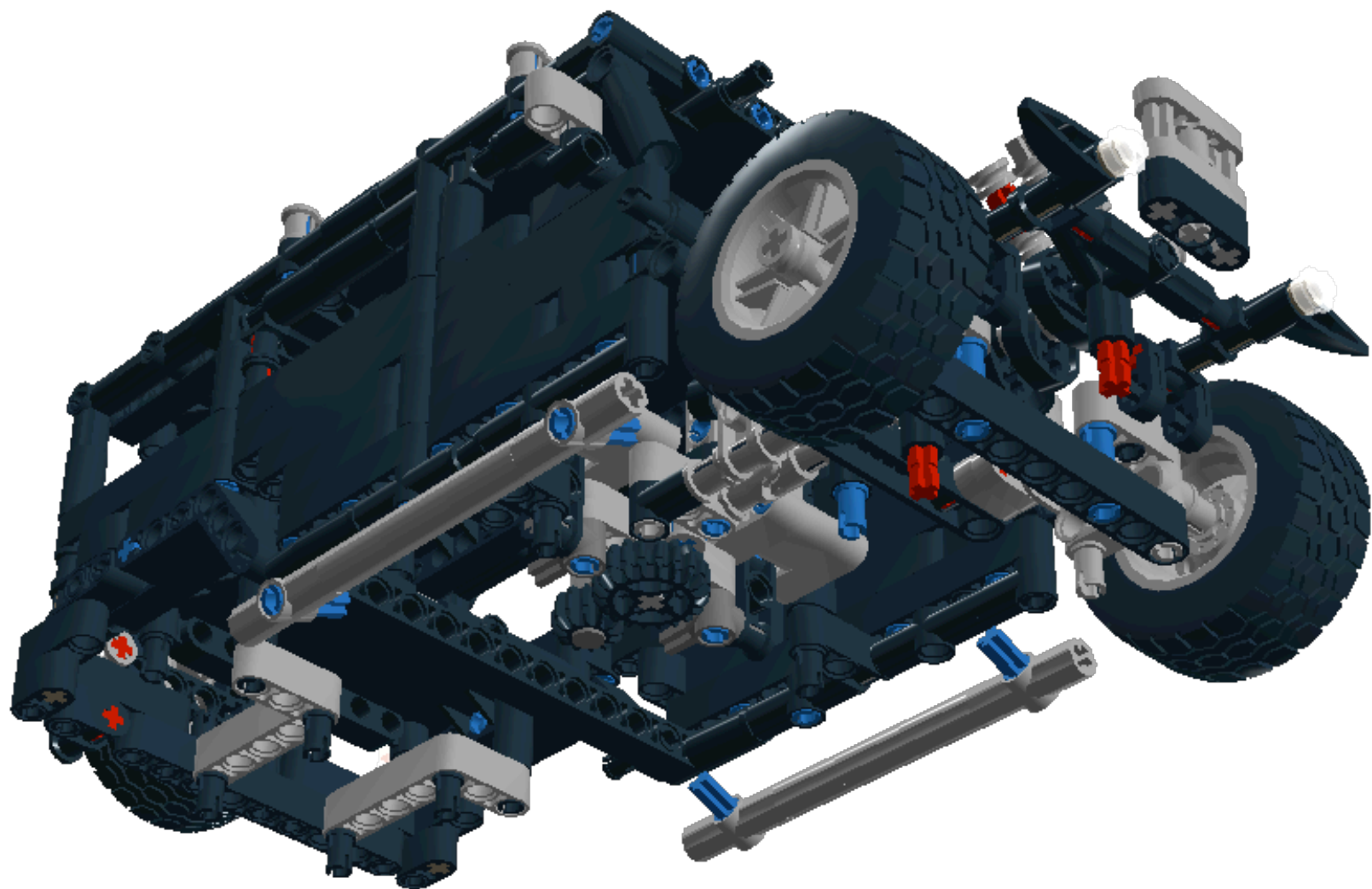


1 x



1 x





Step 225 of 319

1 x



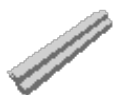
1 x



1 x



1 x



Step 226 of 319

1 x

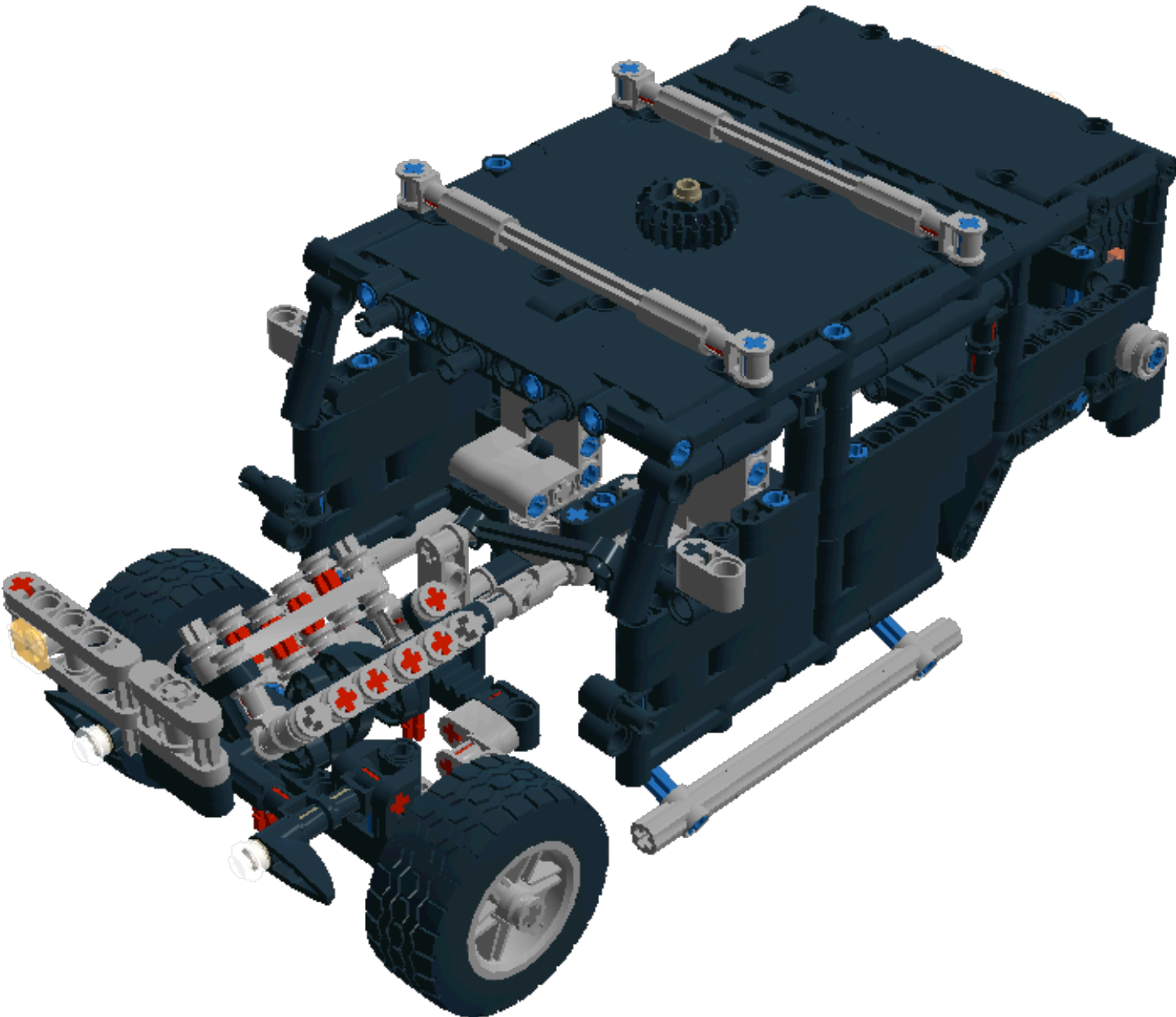


1 x



1 x





Step 228 of 319

1 x



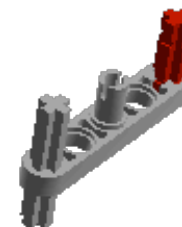
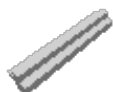
1 x



1 x



1 x



Step 229 of 319

1 x

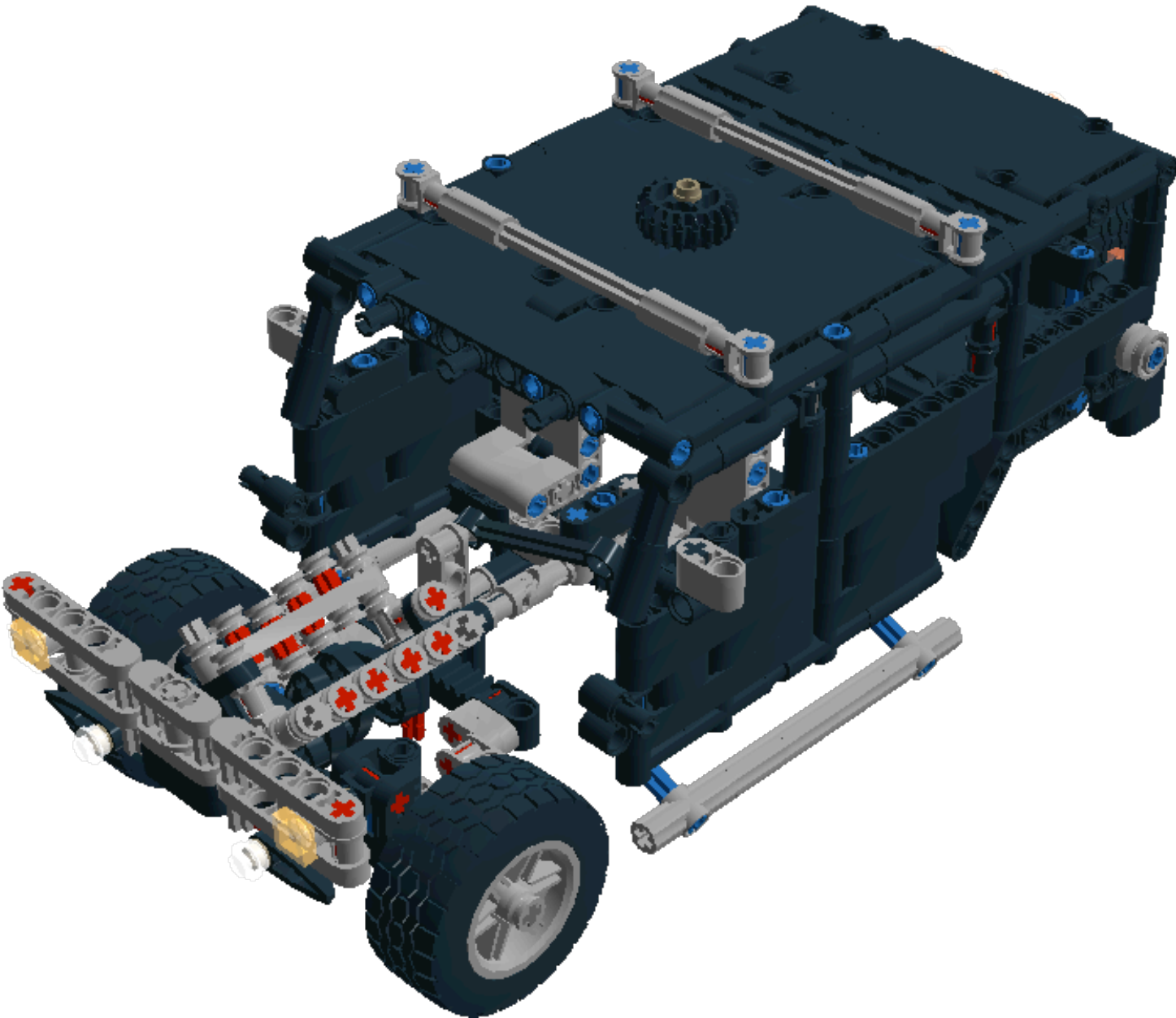


1 x



1 x





Step 231 of 319

1 x



1 x

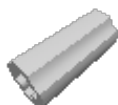


Step 232 of 319

1 x



1 x

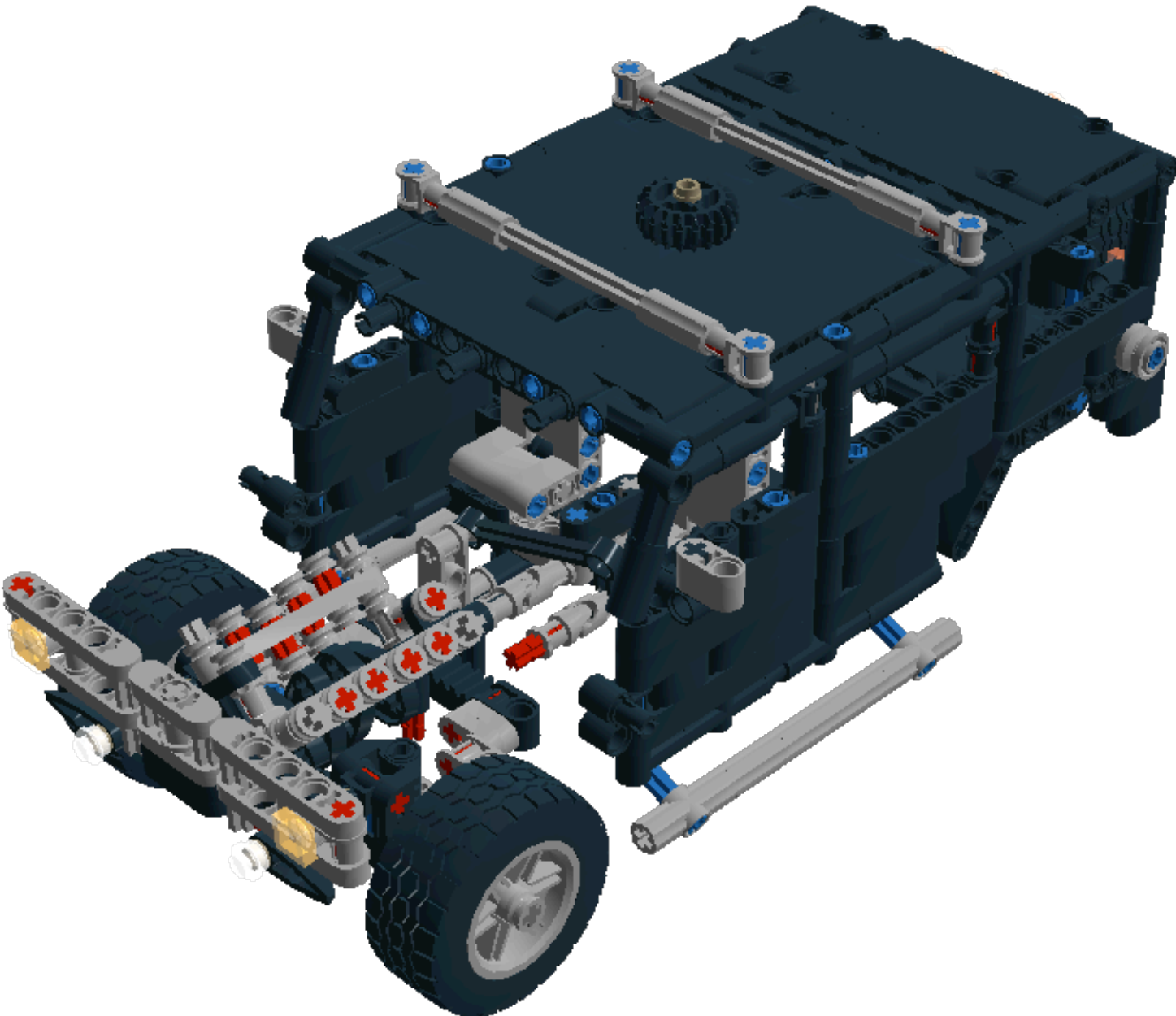


1 x



1 x





Step 234 of 319

1 x



1 x

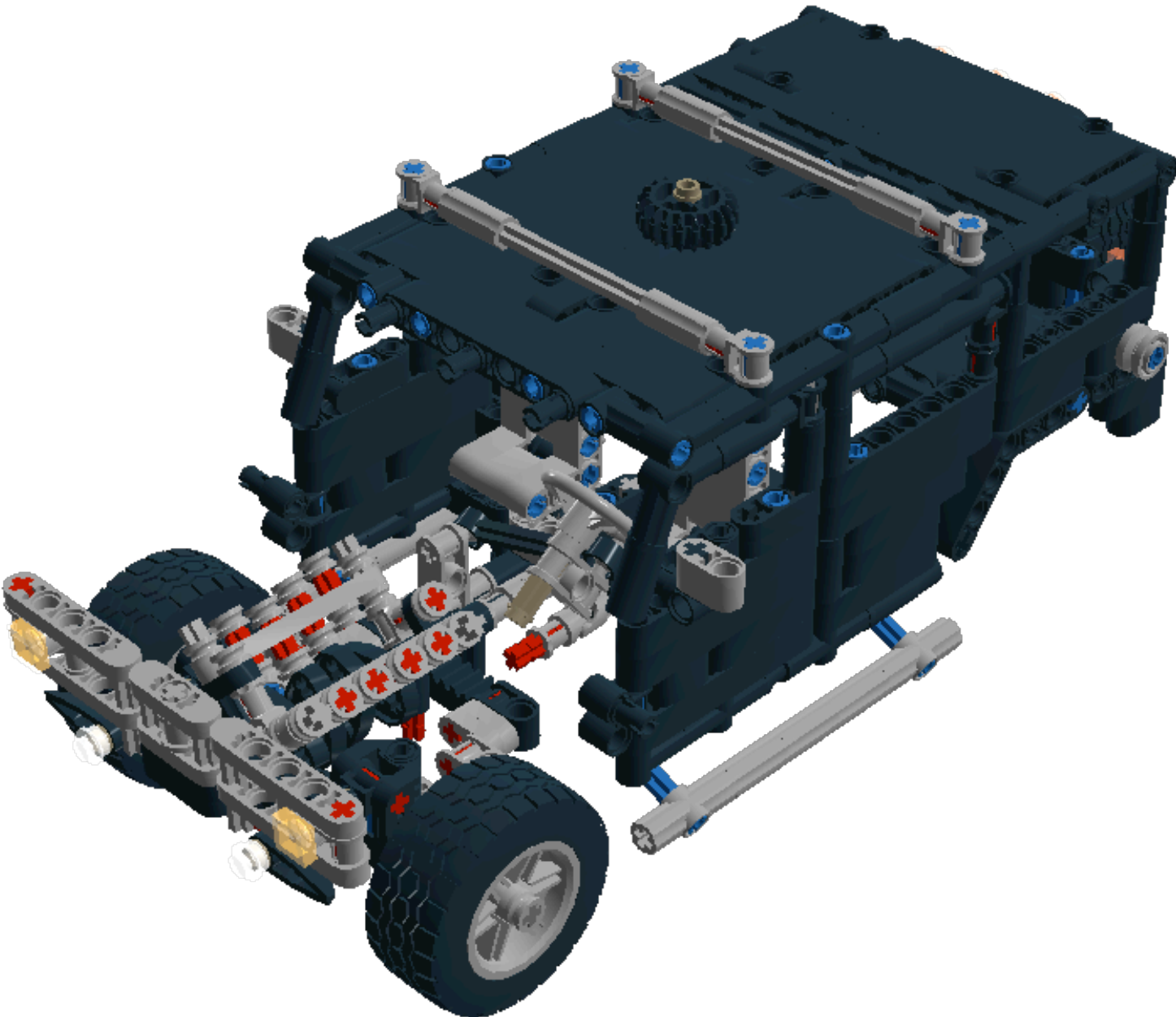


1 x



1 x





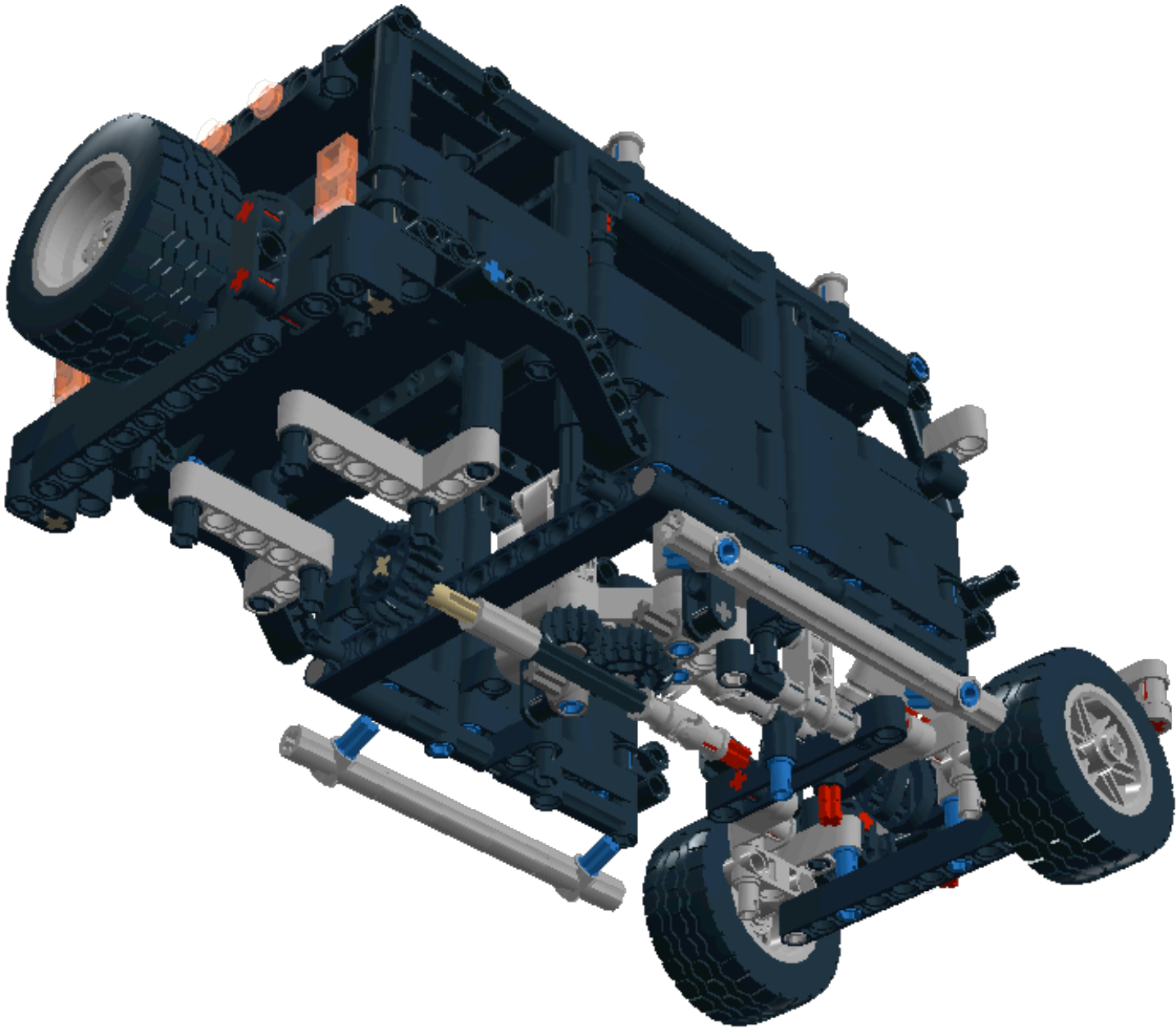
Step 236 of 319

2 x



1 x





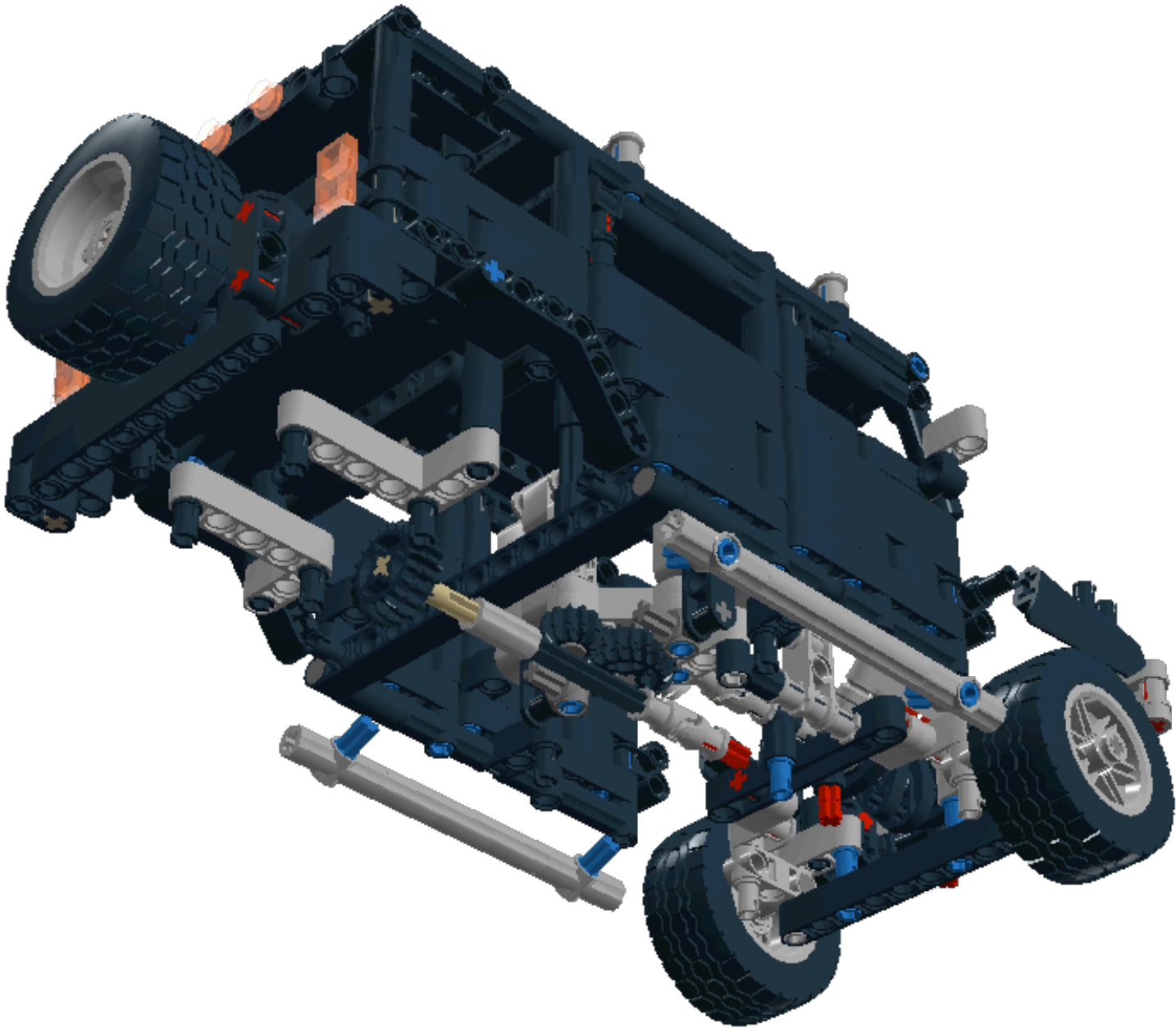
Step 238 of 319

2 x



1 x





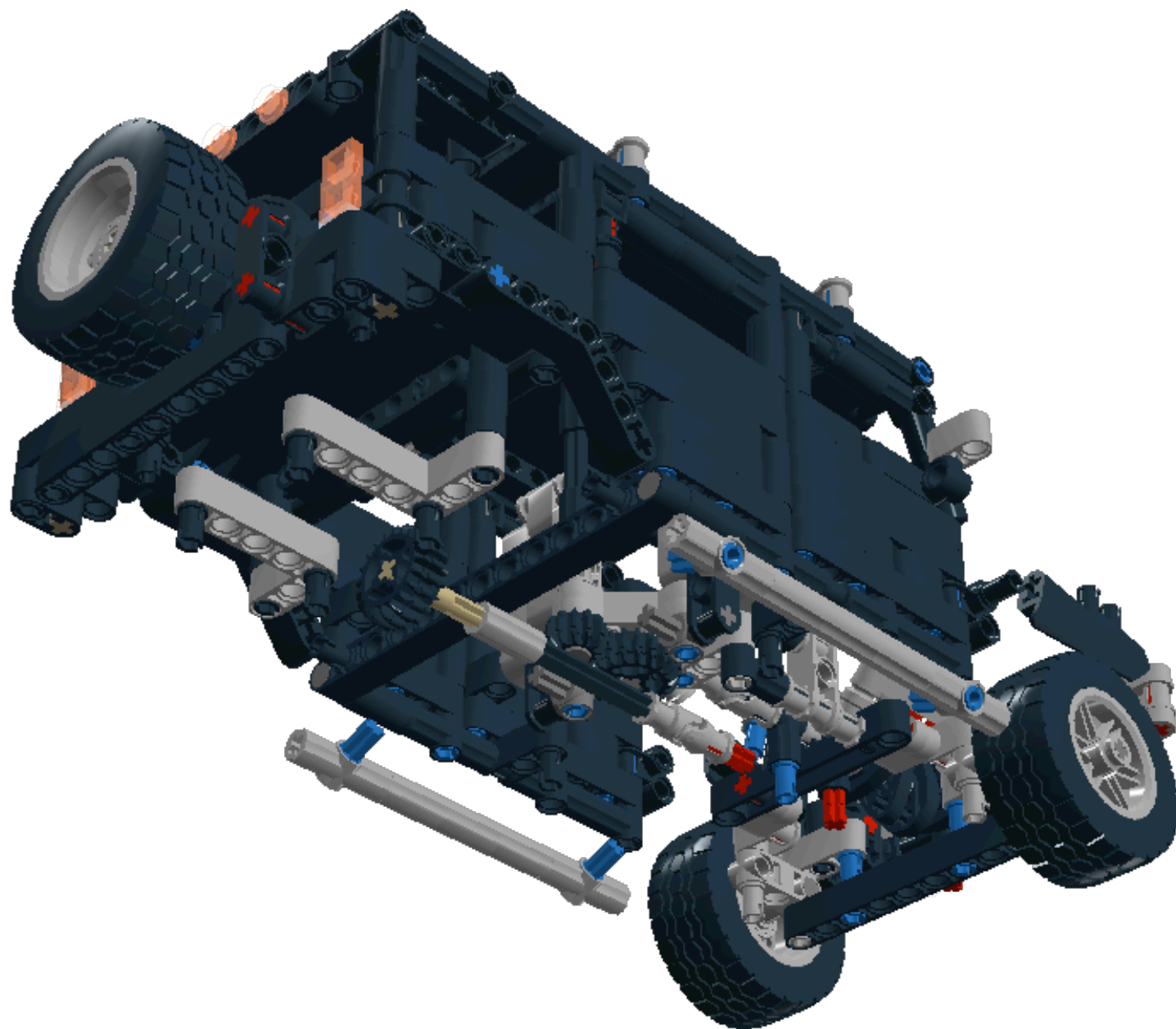
Step 240 of 319

1 x



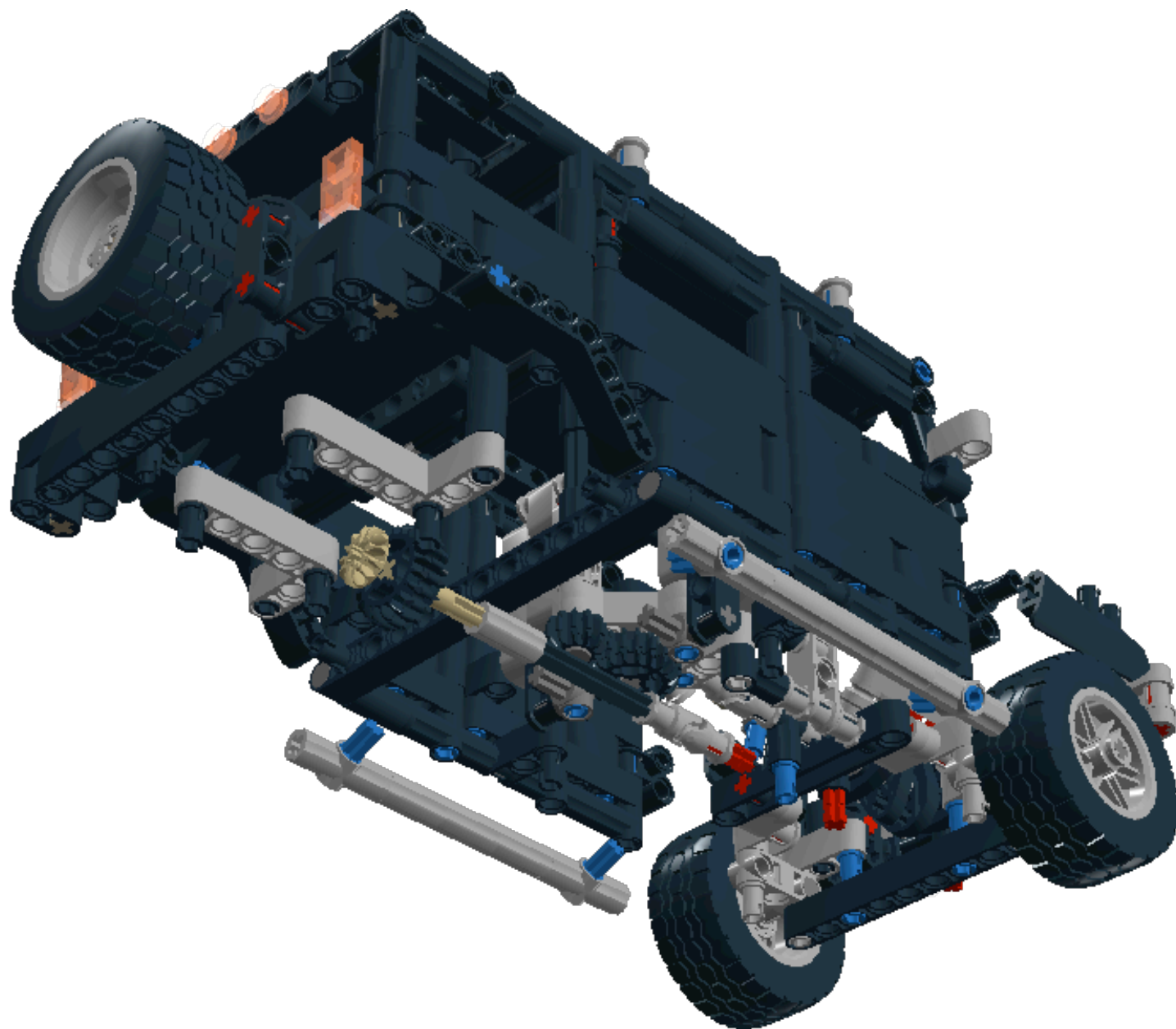
1 x





Step 242 of 319

1 x

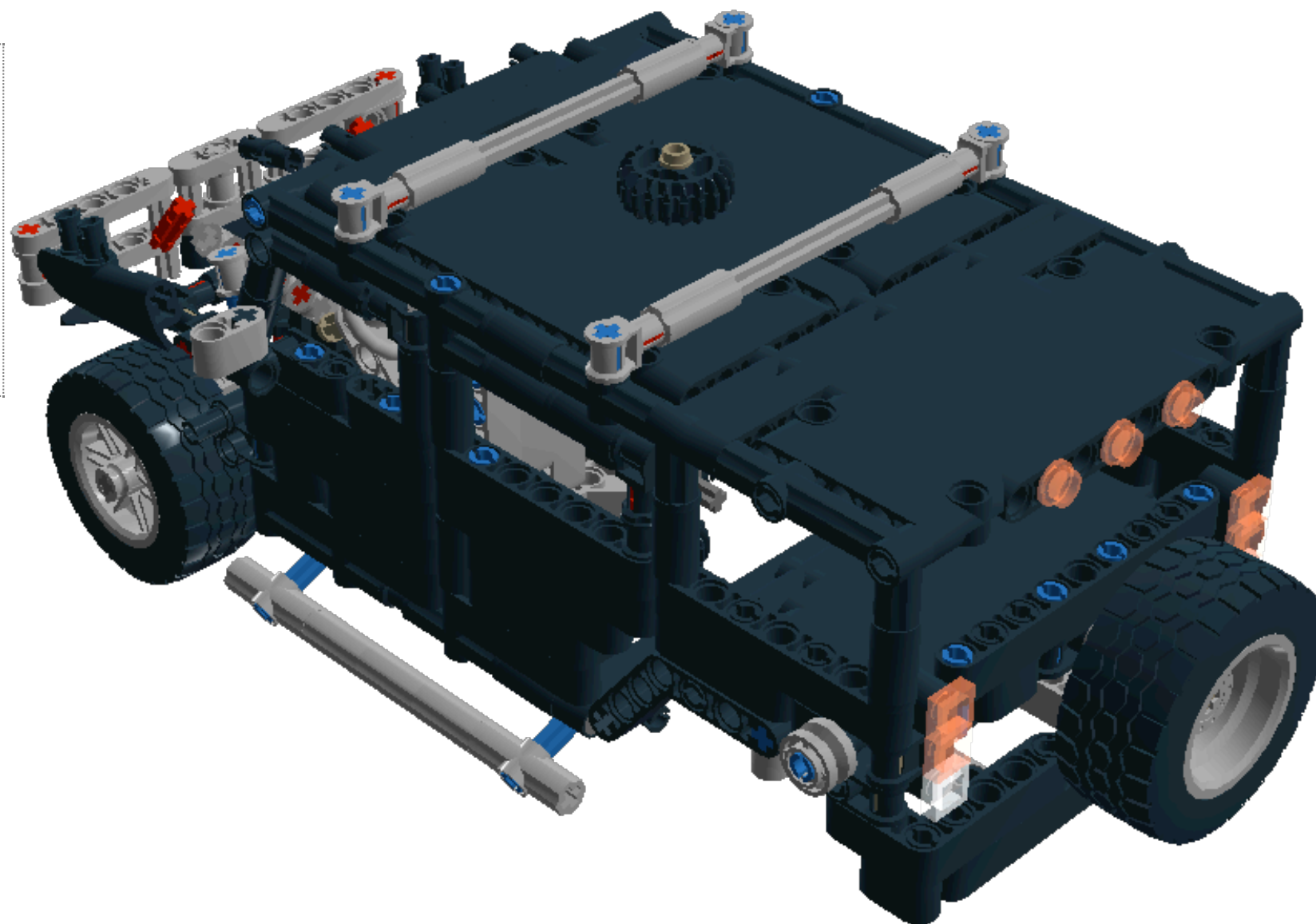


Step 243 of 319

2 x



1 x



Step 244 of 319

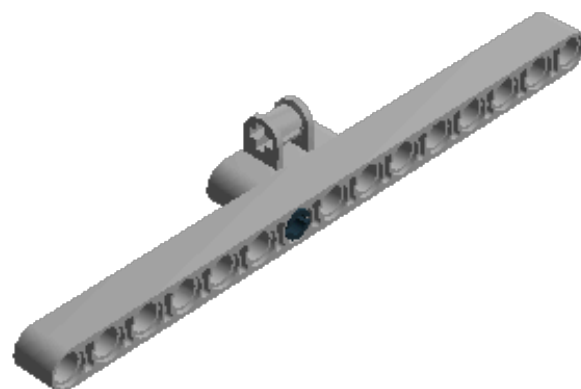
1 x



1 x



1 x



Step 245 of 319

1 x



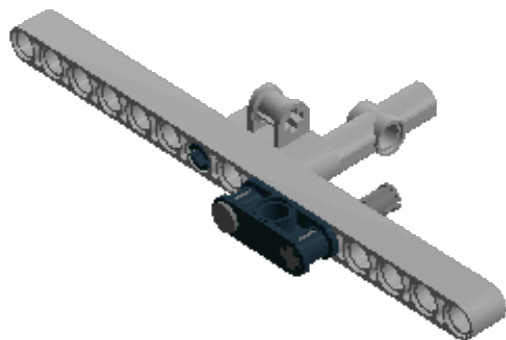
1 x



1 x



1 x



Step 246 of 319

1 x



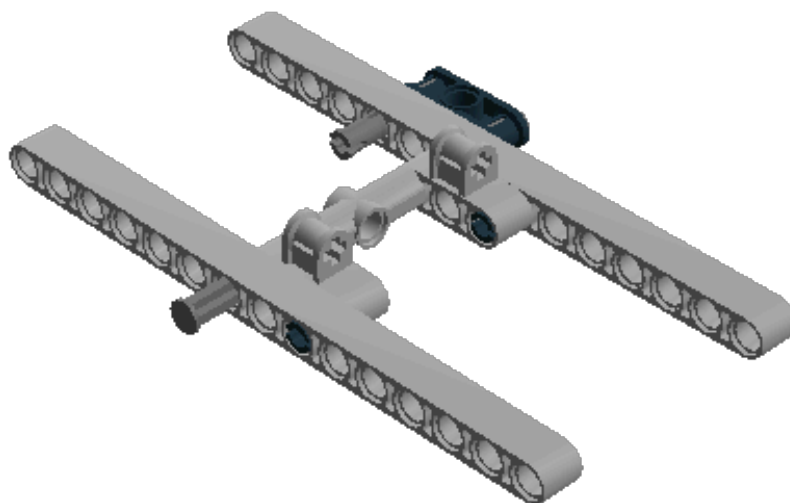
1 x



1 x



1 x



Step 247 of 319

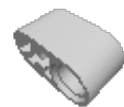
1 x



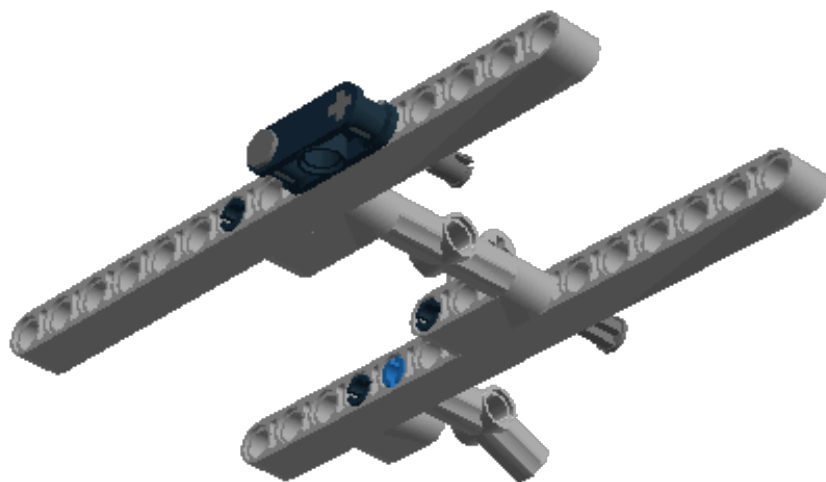
1 x



1 x

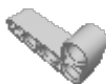


1 x



Step 248 of 319

1 x



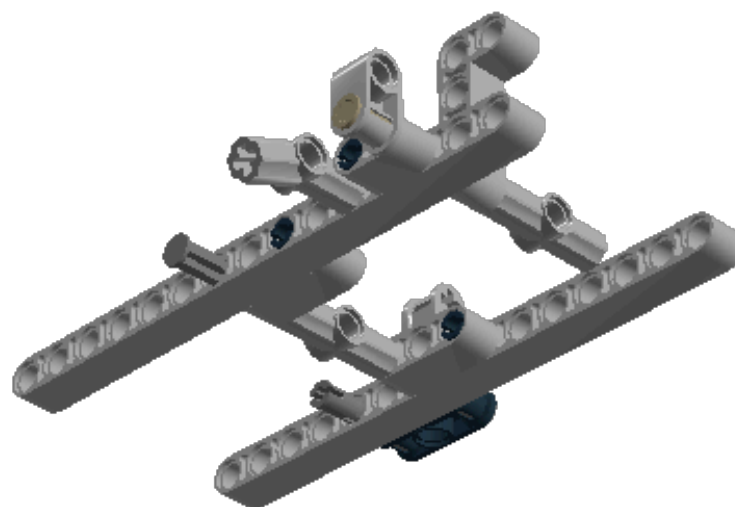
1 x



1 x



1 x



Step 249 of 319

1 x



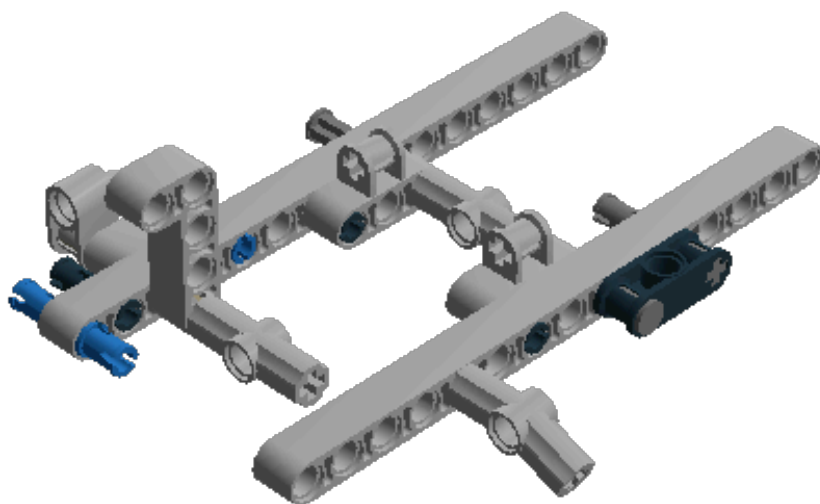
1 x



1 x

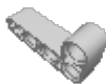


1 x



Step 250 of 319

1 x



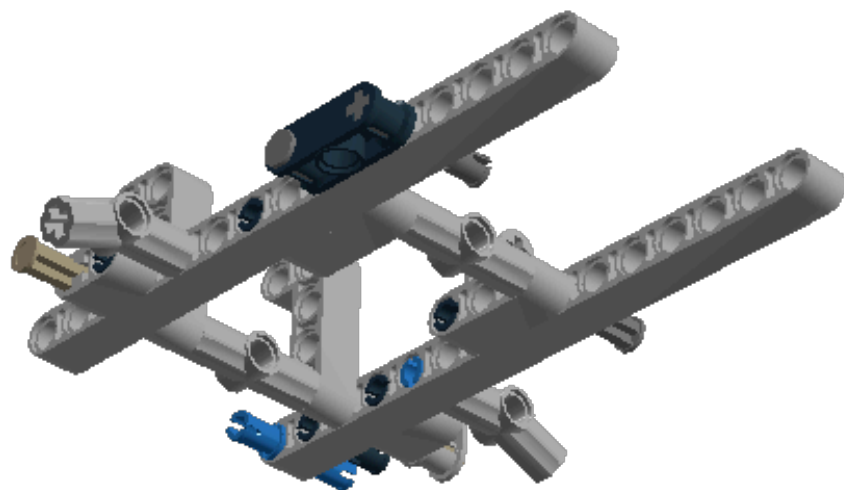
1 x



1 x



1 x



Step 251 of 319

1 x



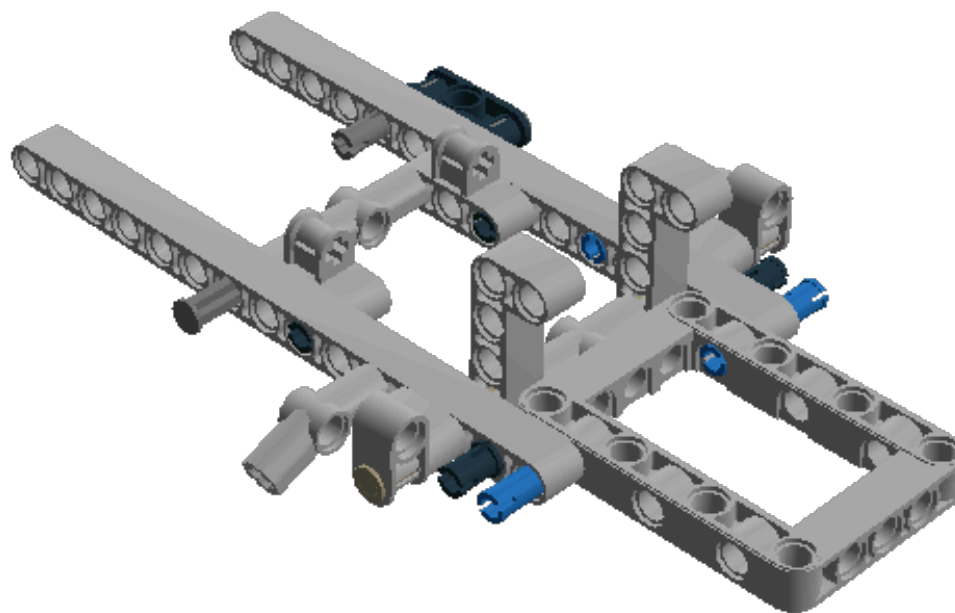
1 x



1 x



1 x



Step 252 of 319

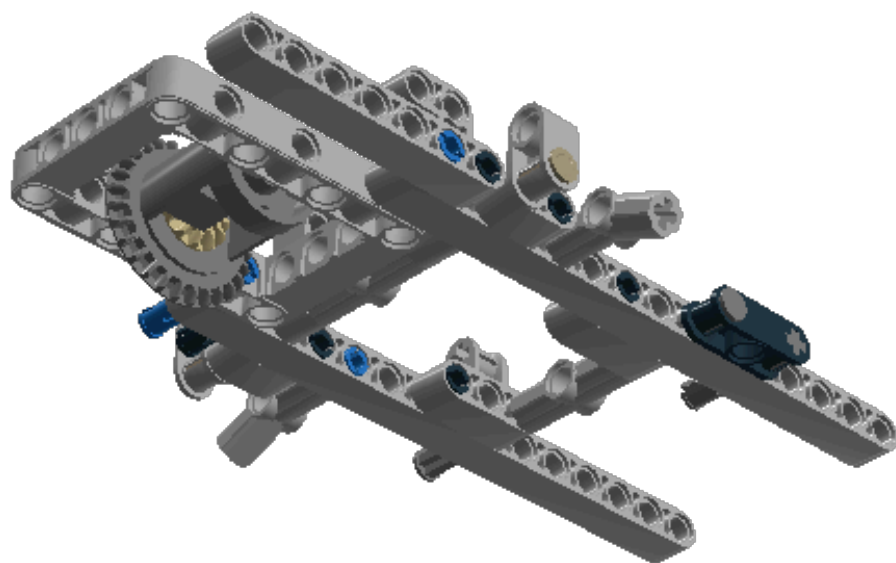
1 x



2 x



1 x



Step 253 of 319

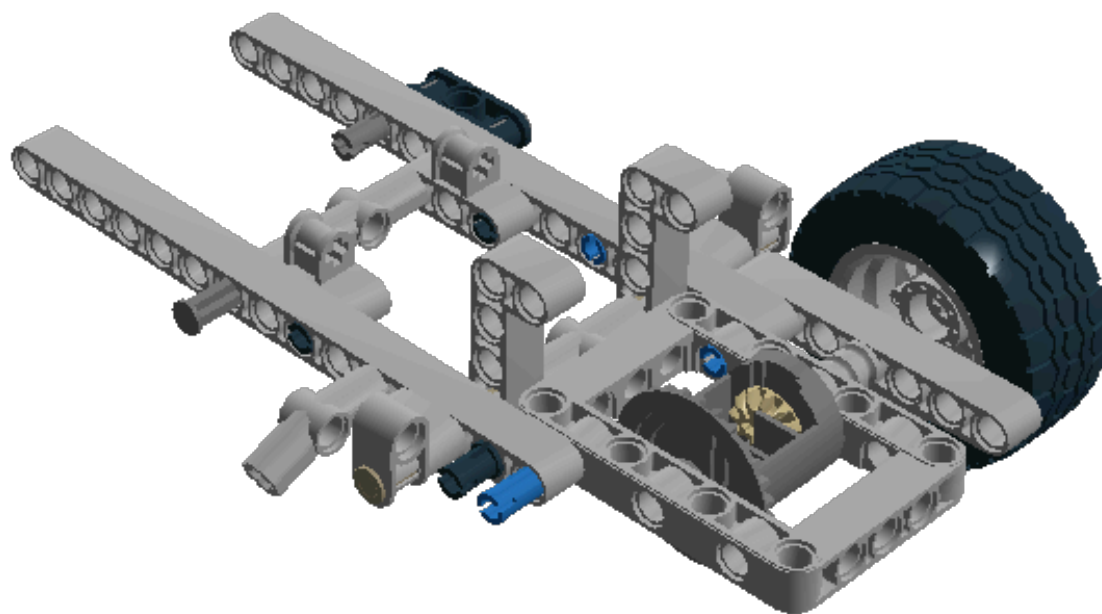
1 x



1 x

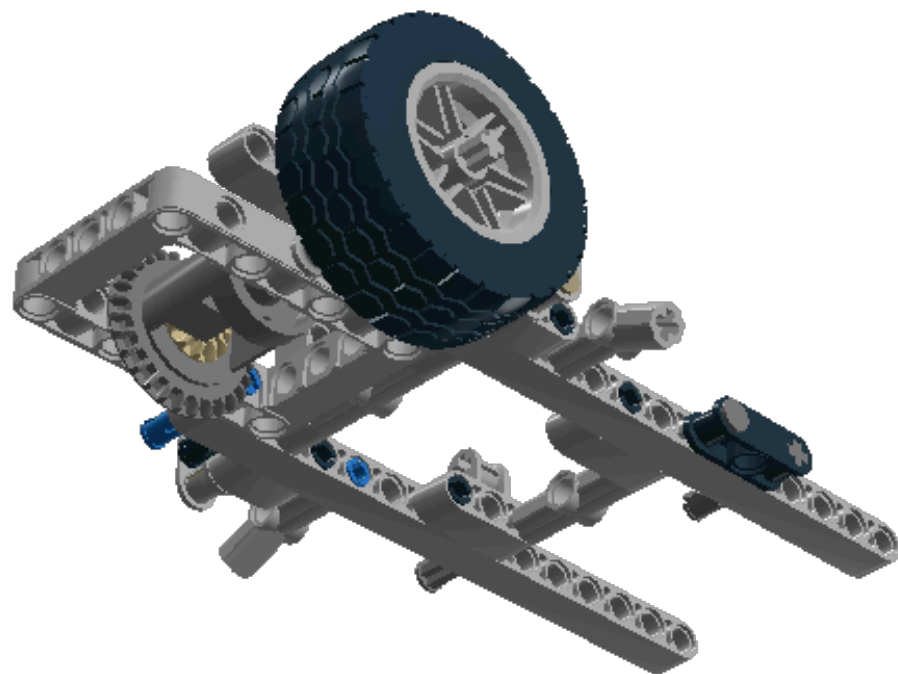


2 x



Step 254 of 319

1 x

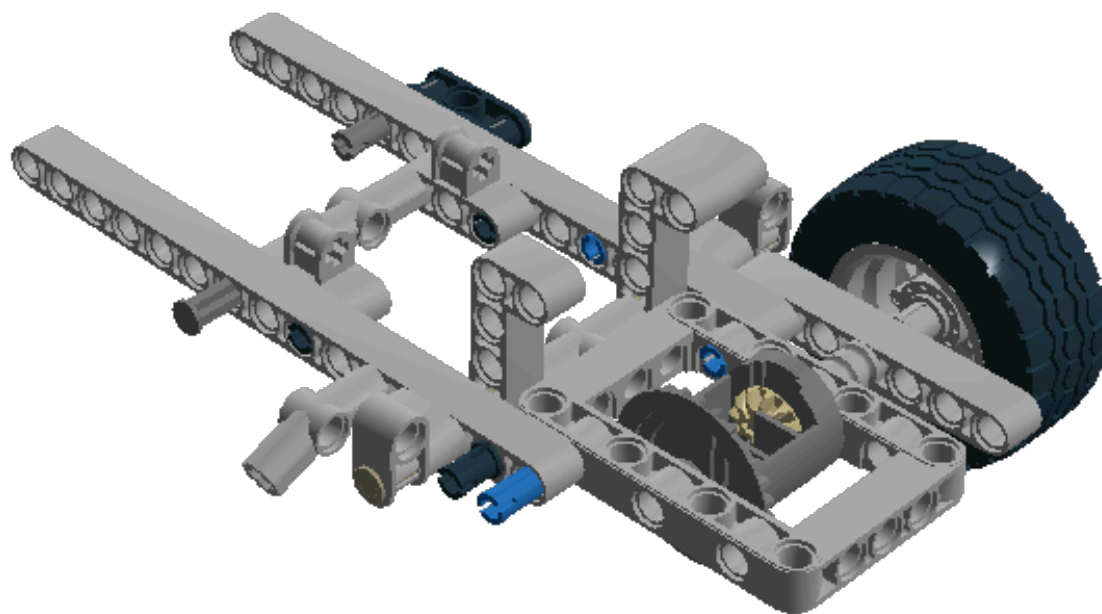


Step 255 of 319

1 x



1 x



Step 256 of 319

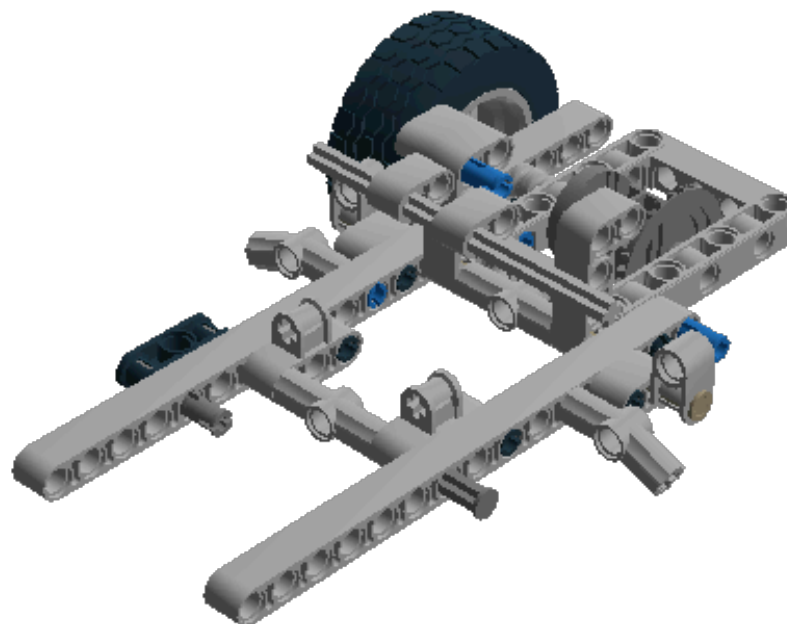
1 x



2 x



1 x

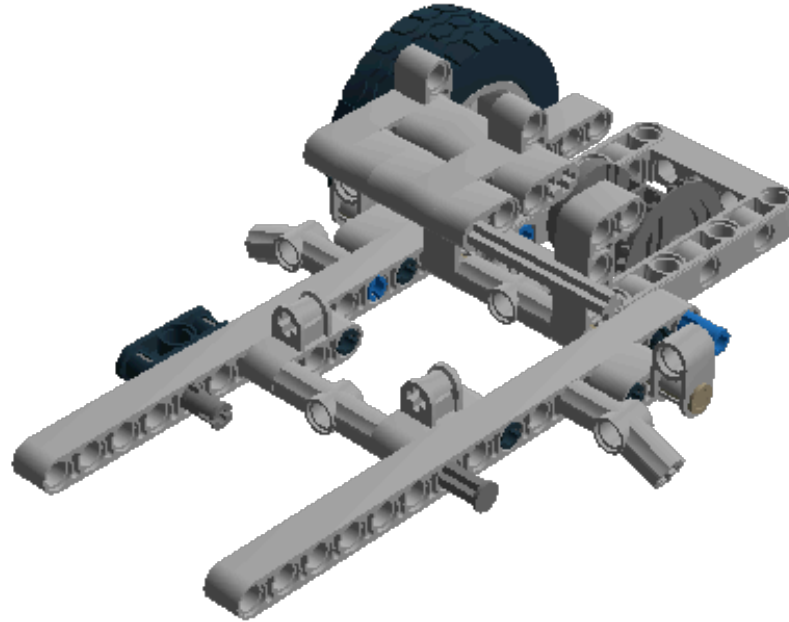


Step 257 of 319

2 x

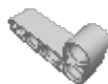


2 x



Step 258 of 319

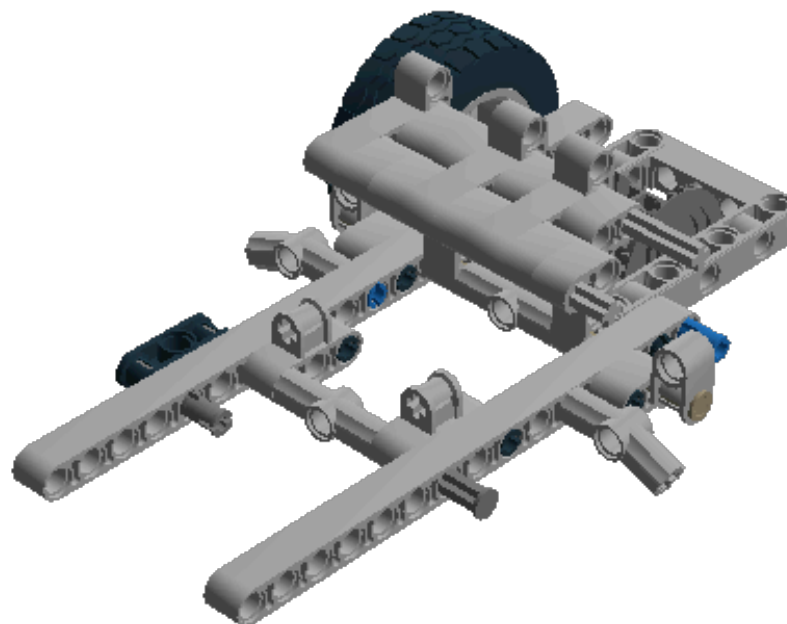
1 x



2 x



1 x



Step 259 of 319

1 x



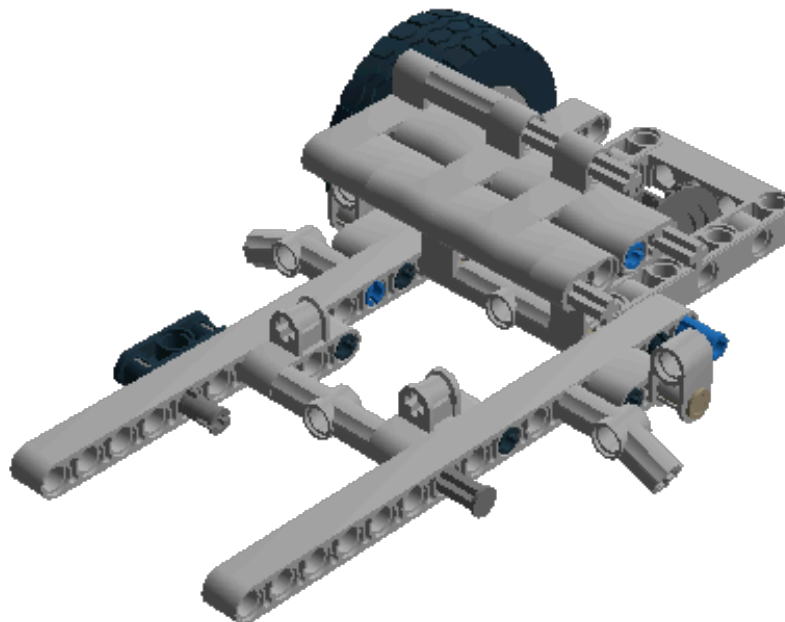
1 x



1 x



1 x



Step 260 of 319

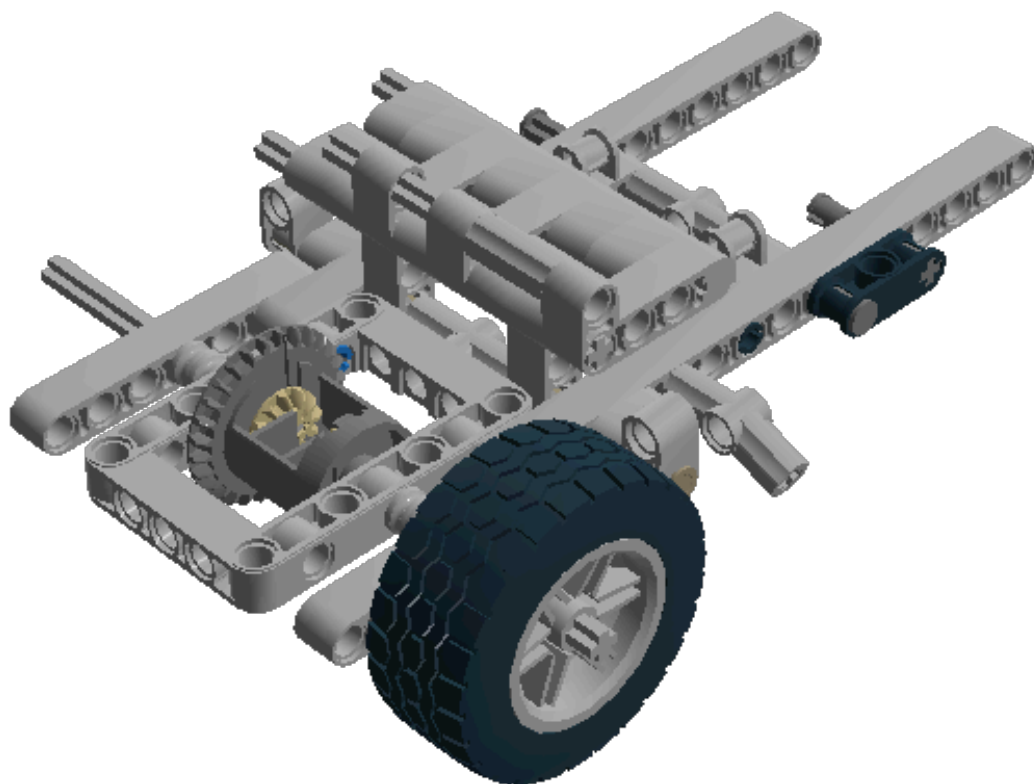
1 x



2 x



1 x



Step 261 of 319

1 x



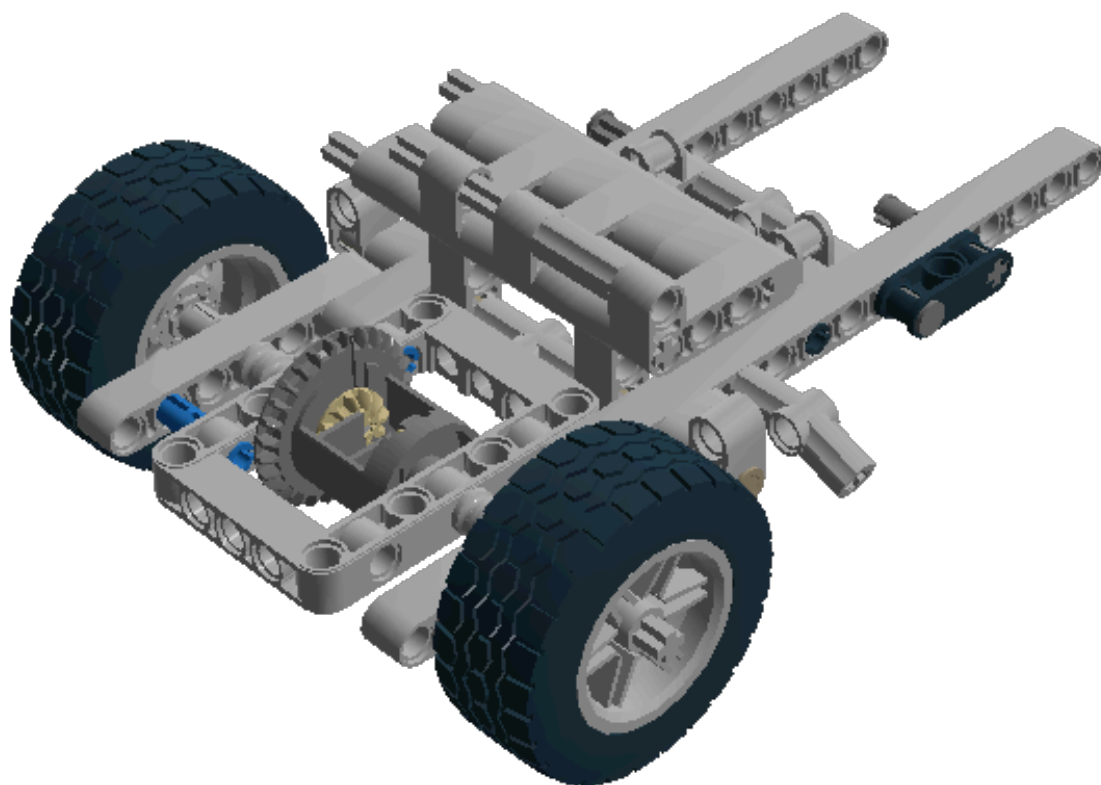
1 x



1 x

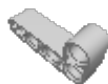


1 x

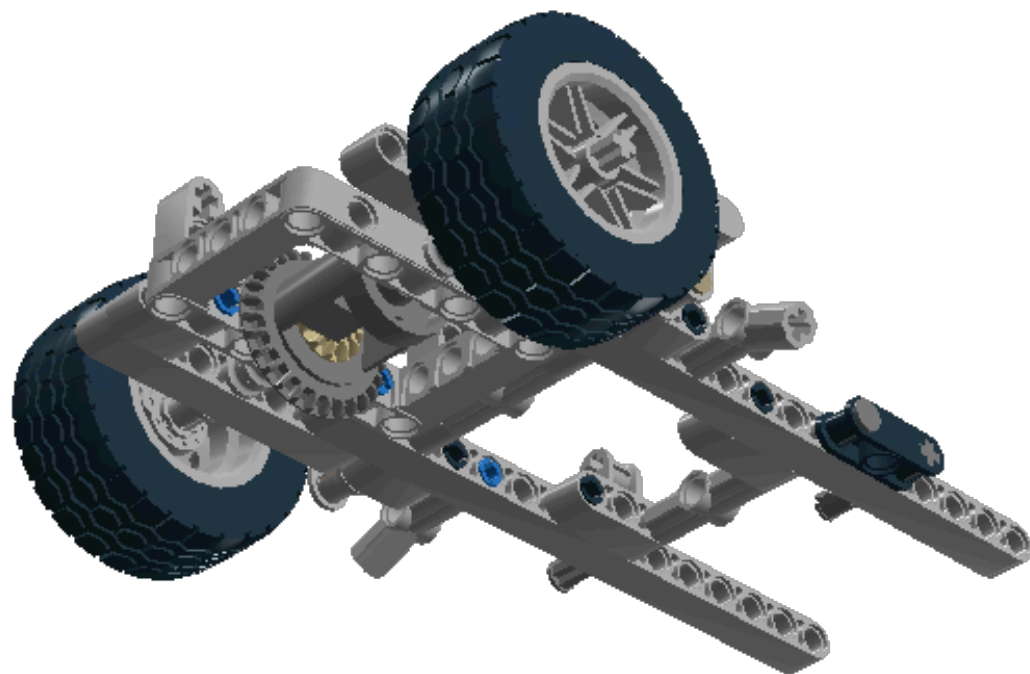


Step 262 of 319

1 x

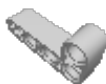


1 x



Step 263 of 319

1 x



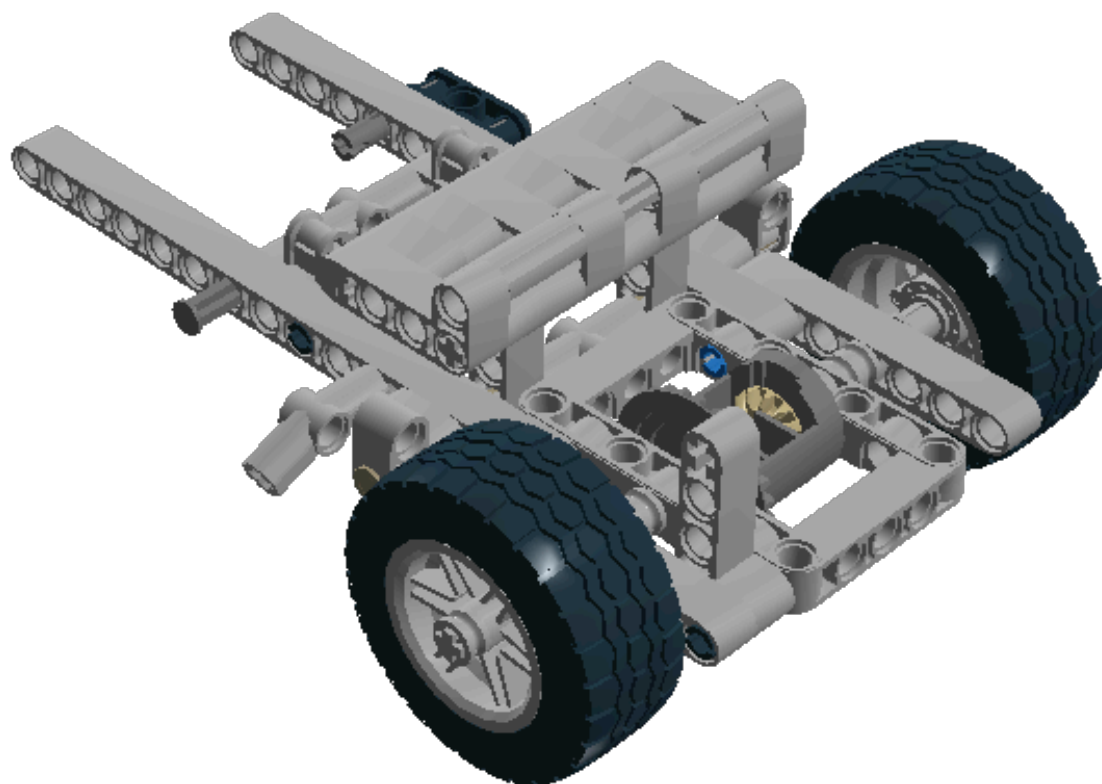
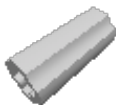
1 x



1 x



1 x



Step 264 of 319

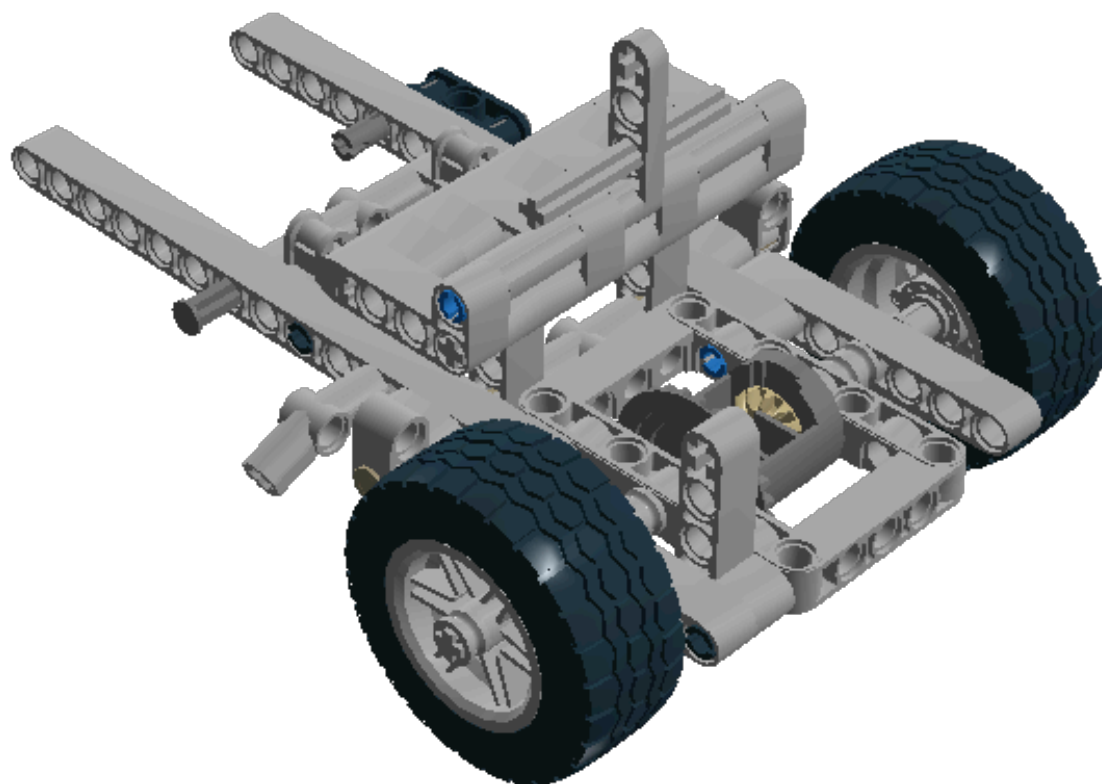
1 x



2 x



1 x

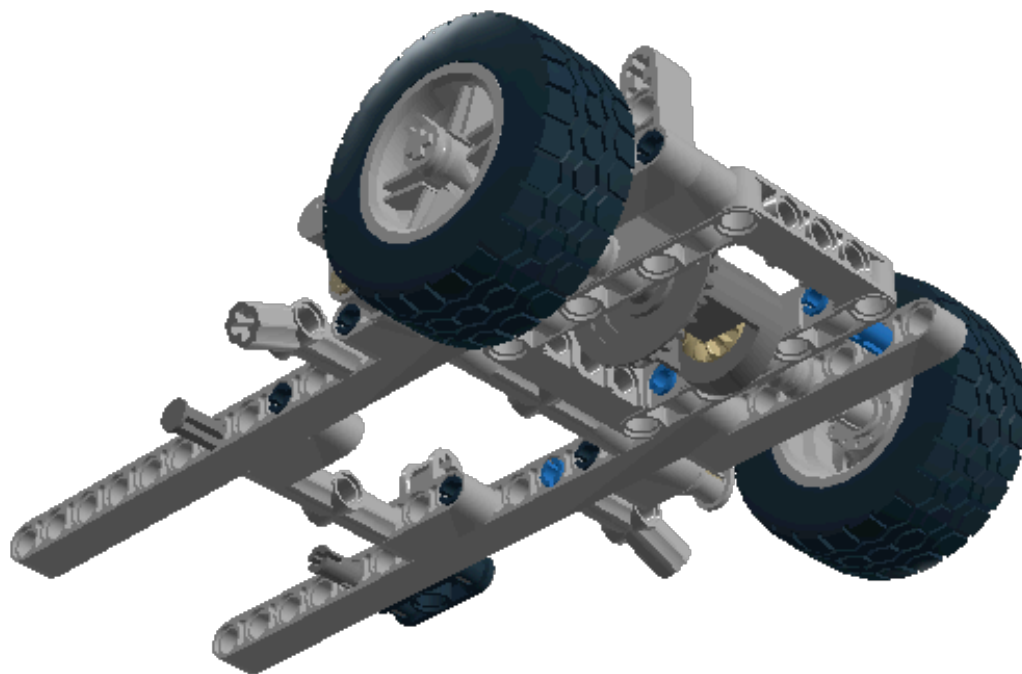


Step 265 of 319

1 x

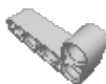


1 x



Step 266 of 319

1 x



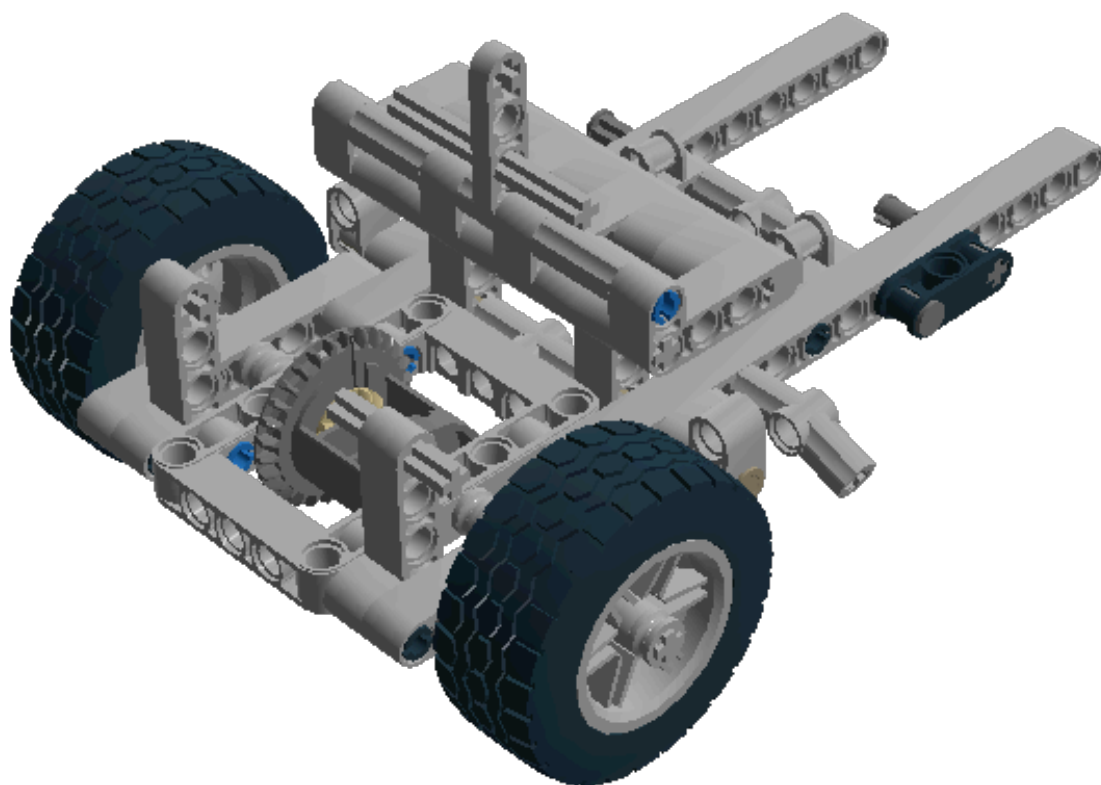
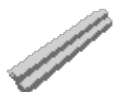
1 x



1 x



1 x

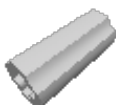


Step 267 of 319

1 x



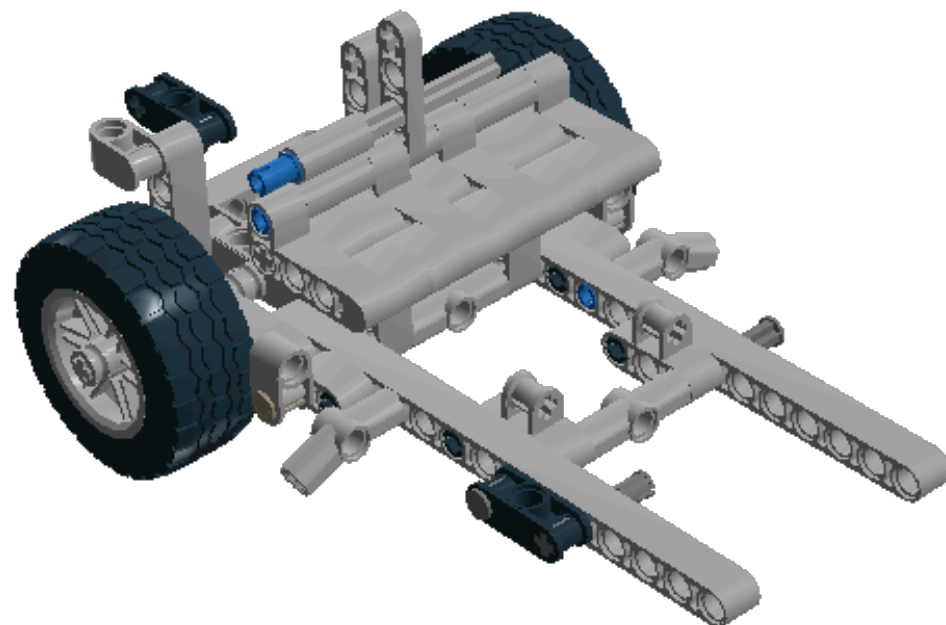
1 x



1 x

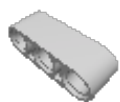


1 x

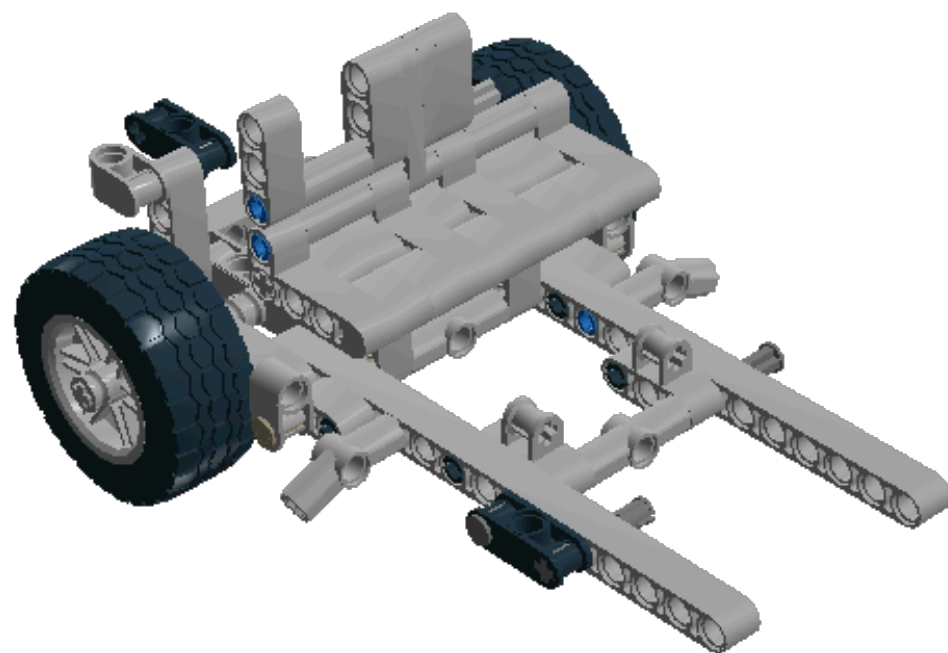


Step 268 of 319

3 x

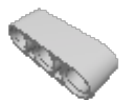


1 x



Step 269 of 319

1 x



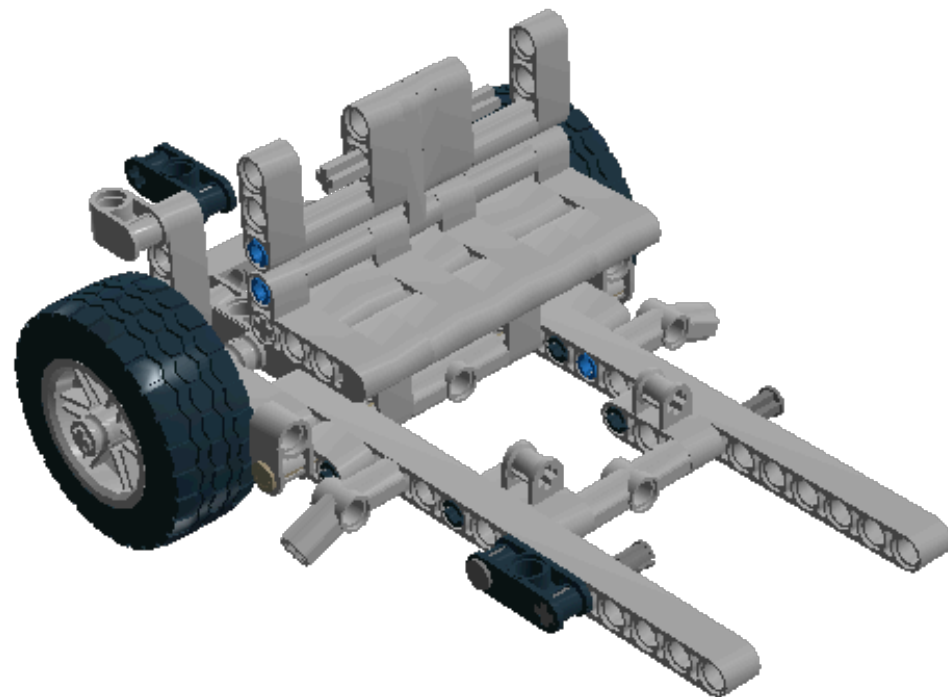
1 x



1 x



1 x

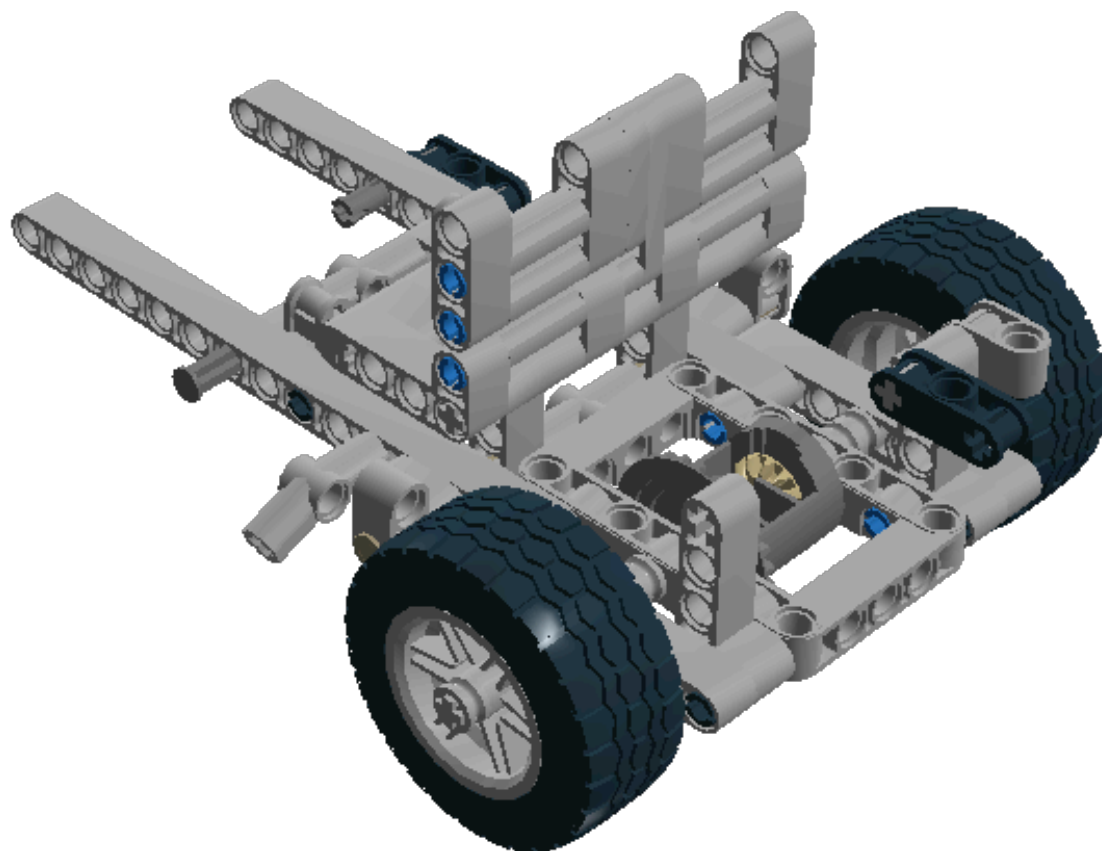


Step 270 of 319

1 x



2 x



Step 271 of 319

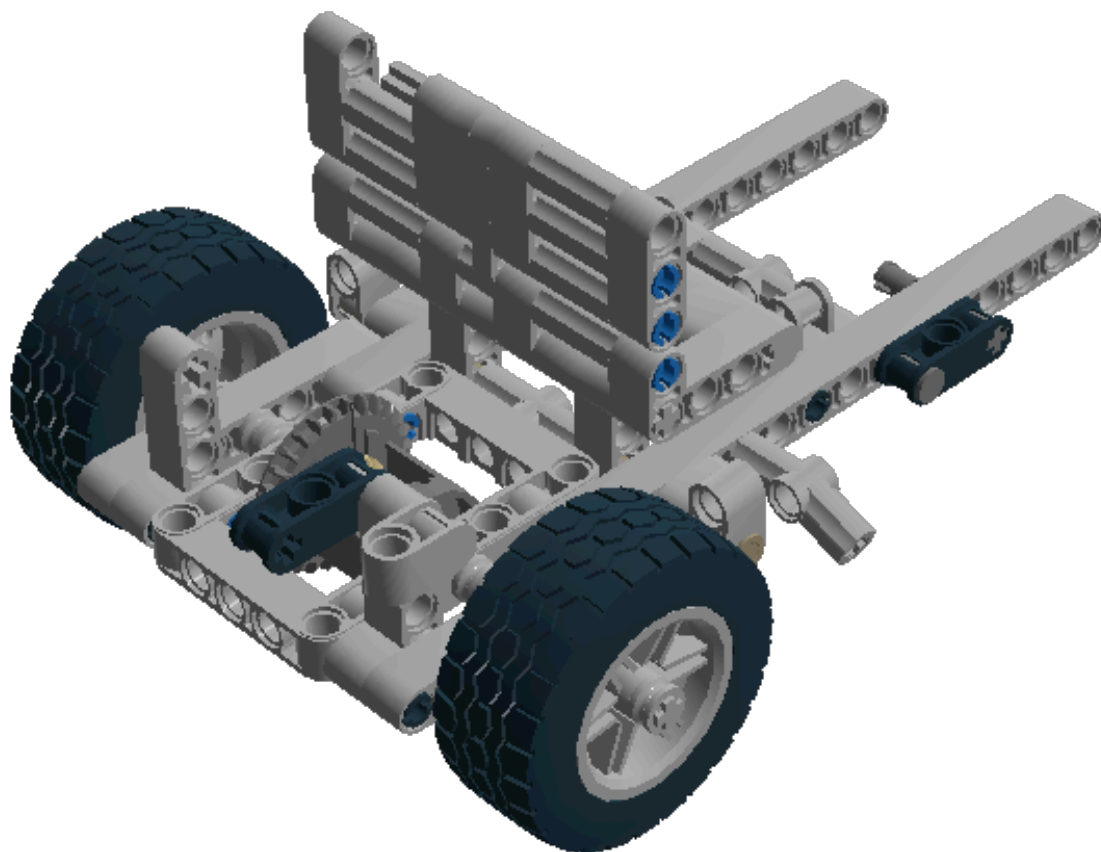
1 x



1 x

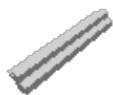


1 x



Step 272 of 319

1 x



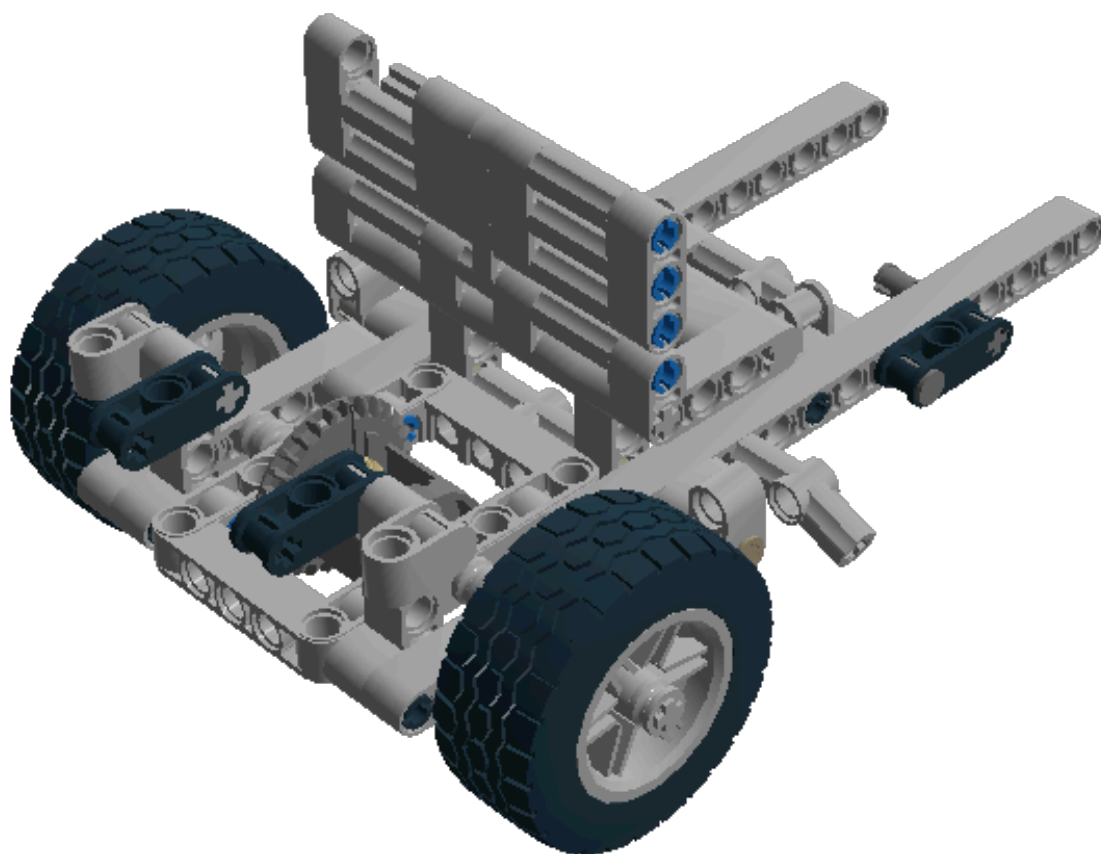
1 x



1 x



1 x

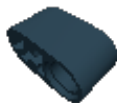


Step 273 of 319

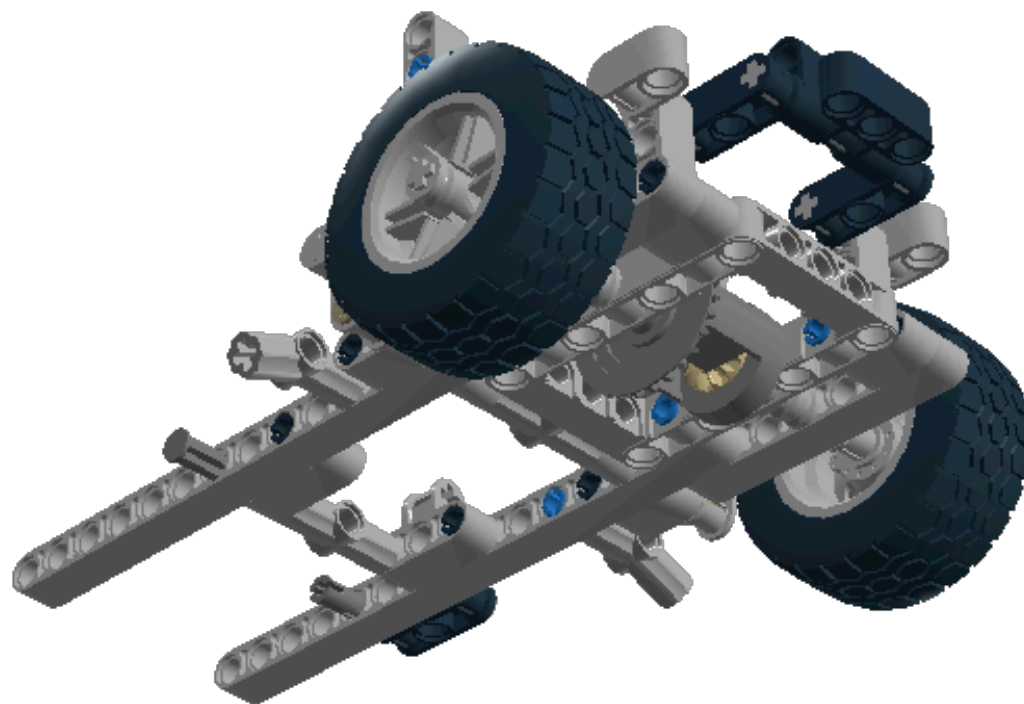
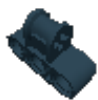
1 x



2 x



1 x



Step 274 of 319

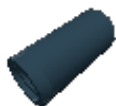
1 x



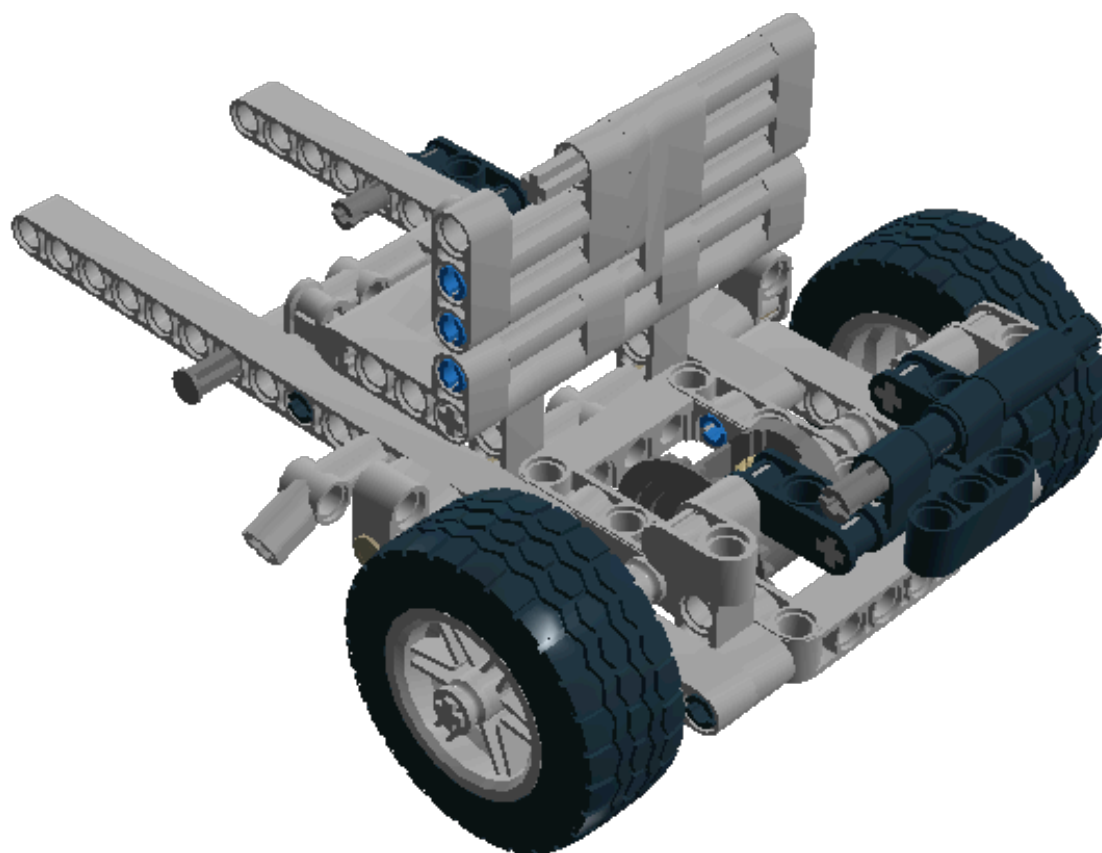
1 x



1 x



1 x



Step 275 of 319

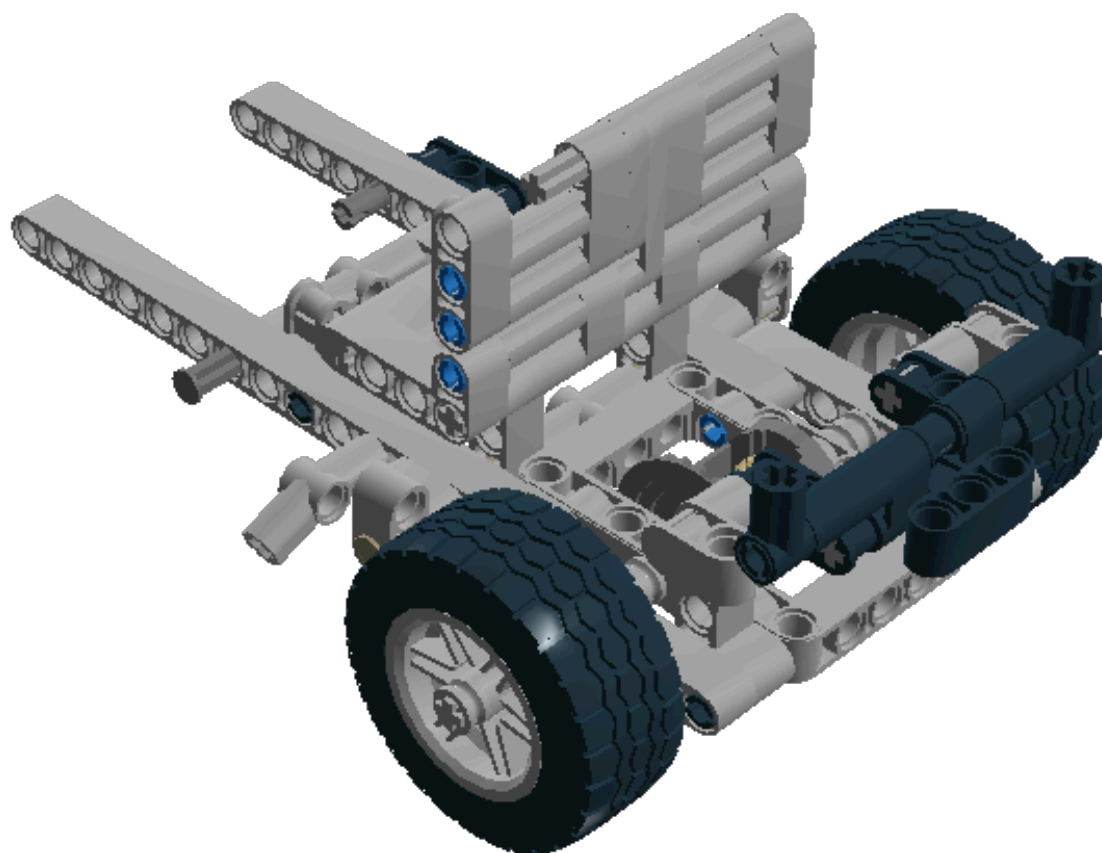
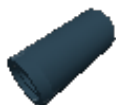
1 x







2 x

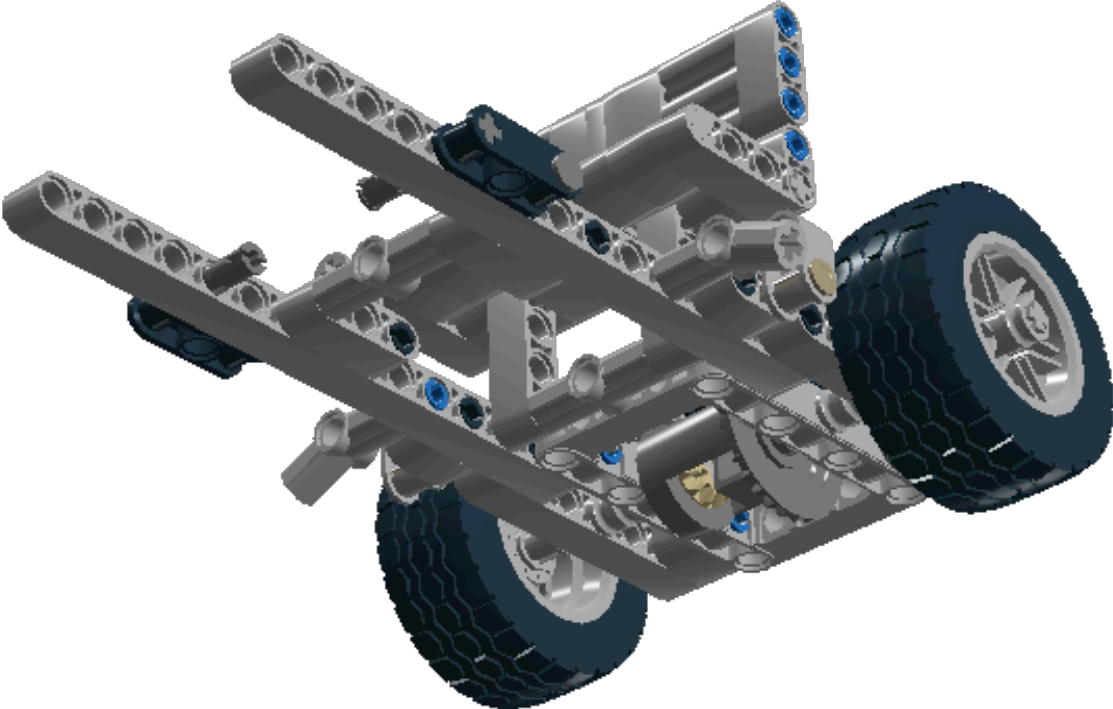


1 x



Step 276 of 319

- 1 x 
- 1 x 
- 1 x 
- 1 x 



Step 277 of 319

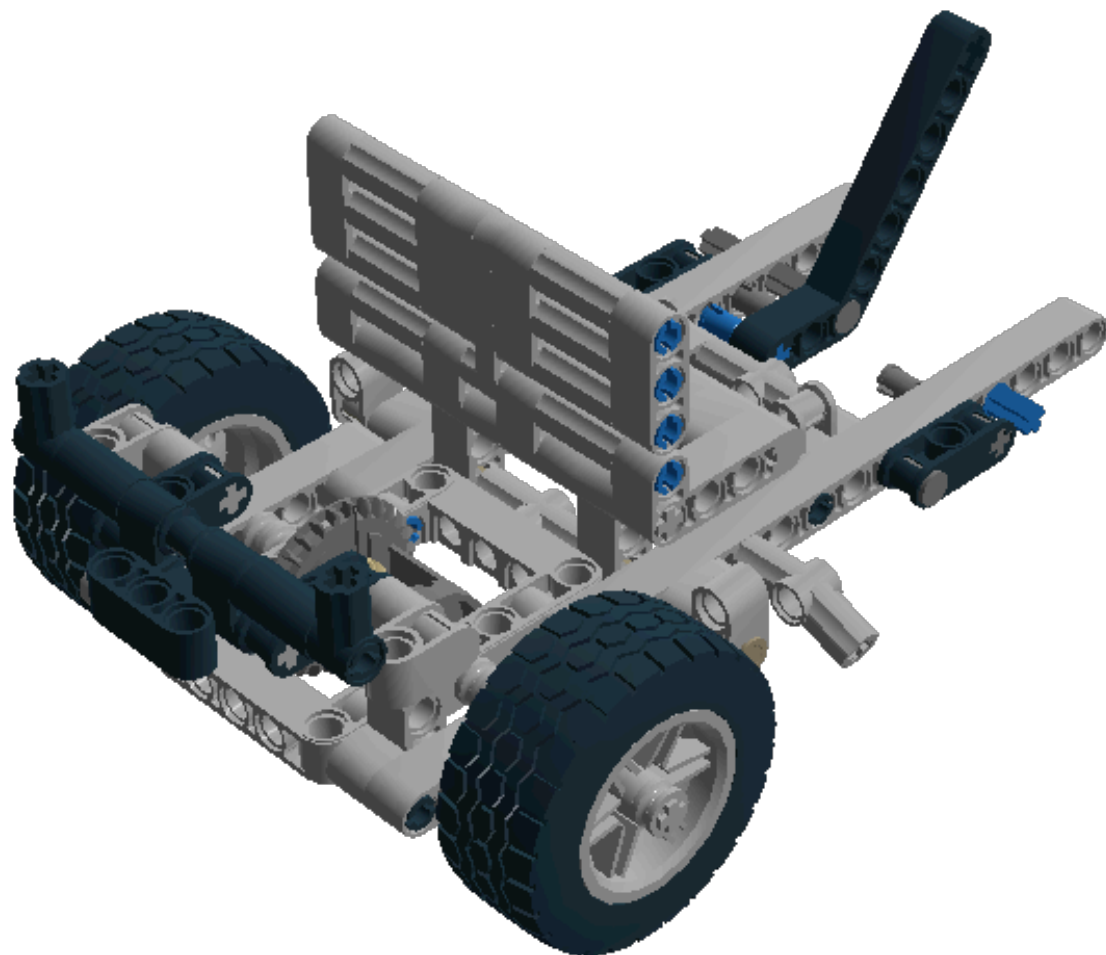
1 x



2 x



1 x



Step 278 of 319

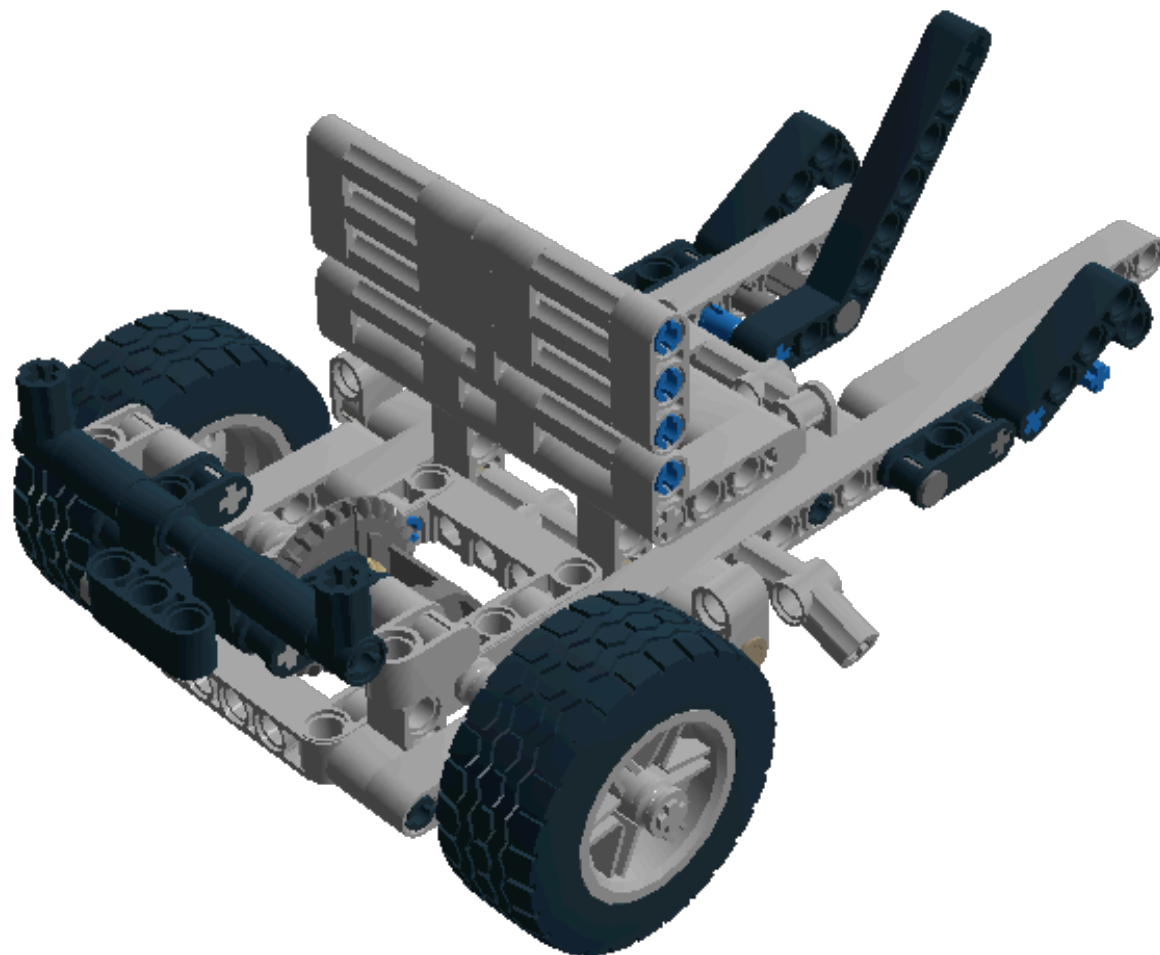
2 x



1 x

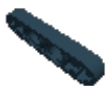


1 x



Step 279 of 319

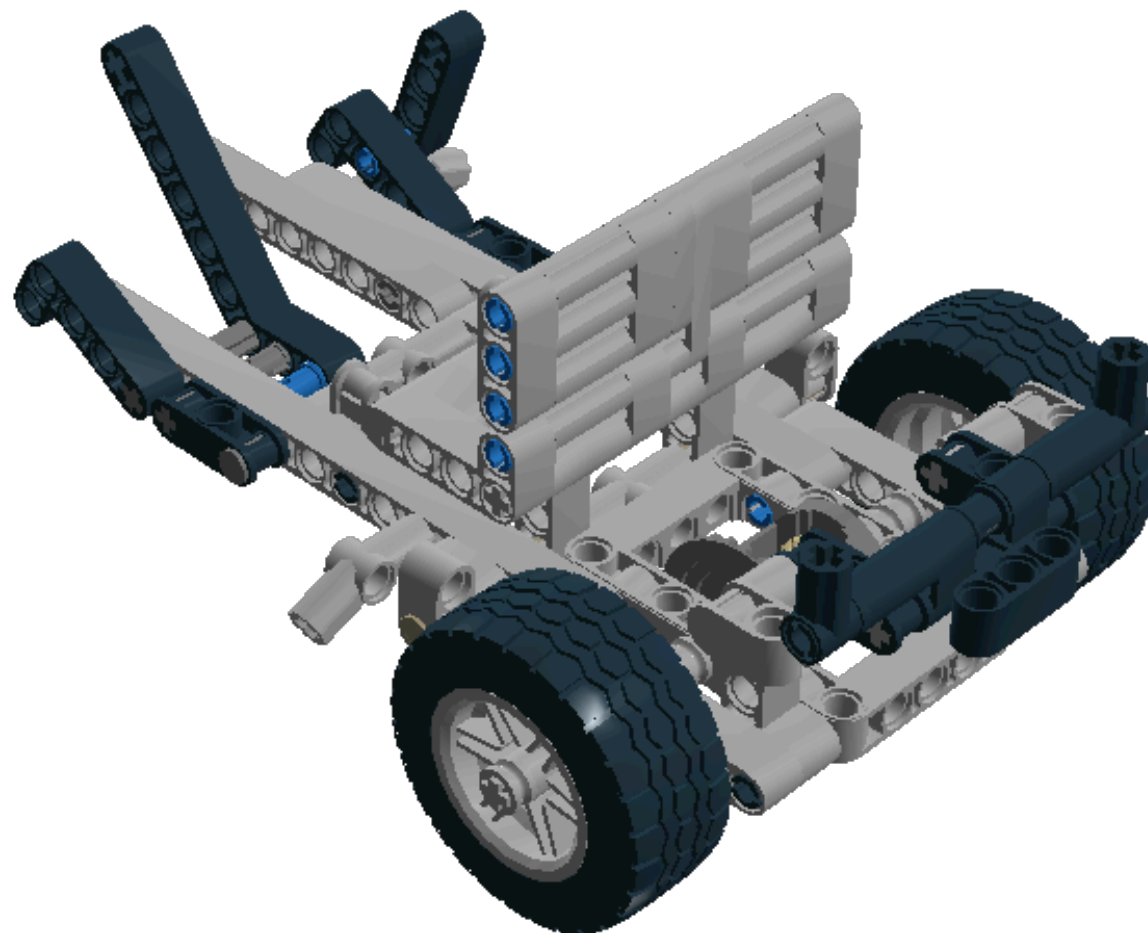
2 x



1 x



1 x



Step 280 of 319

1 x



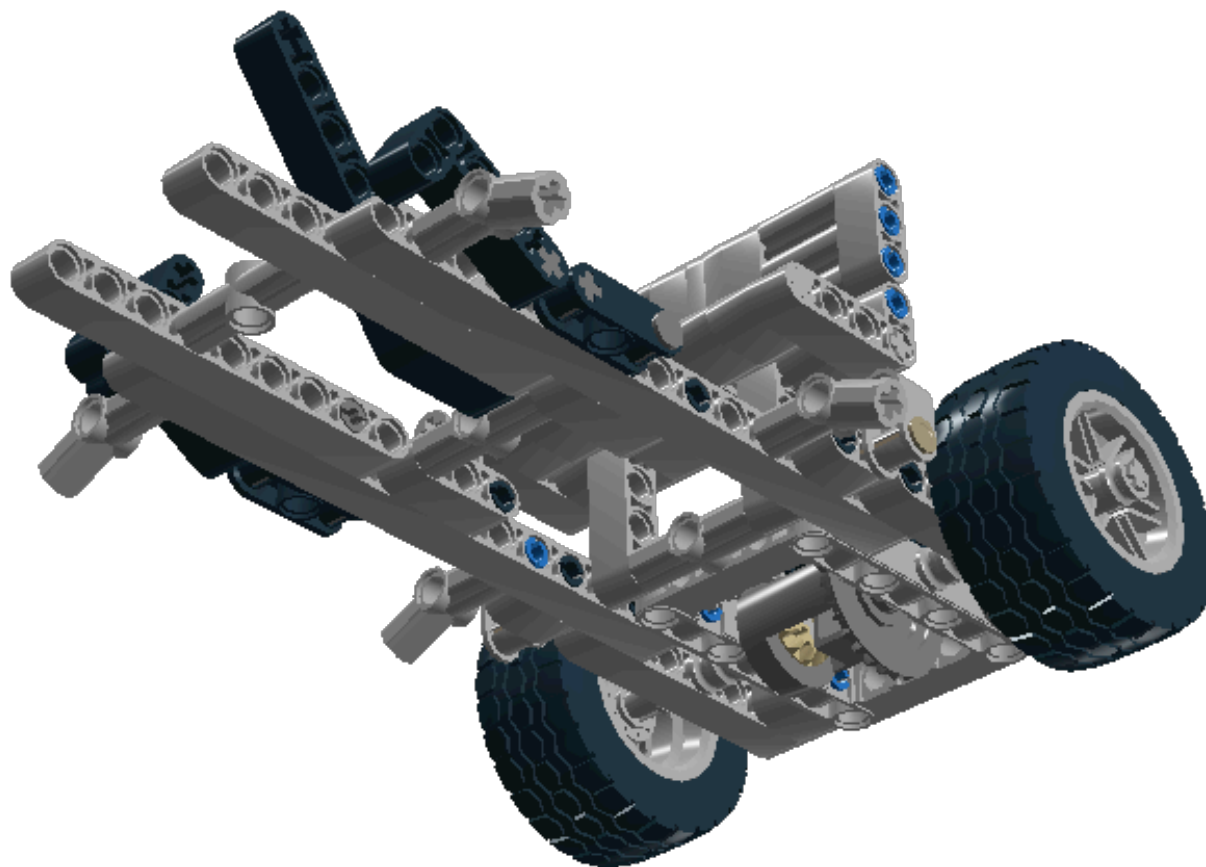
1 x



1 x

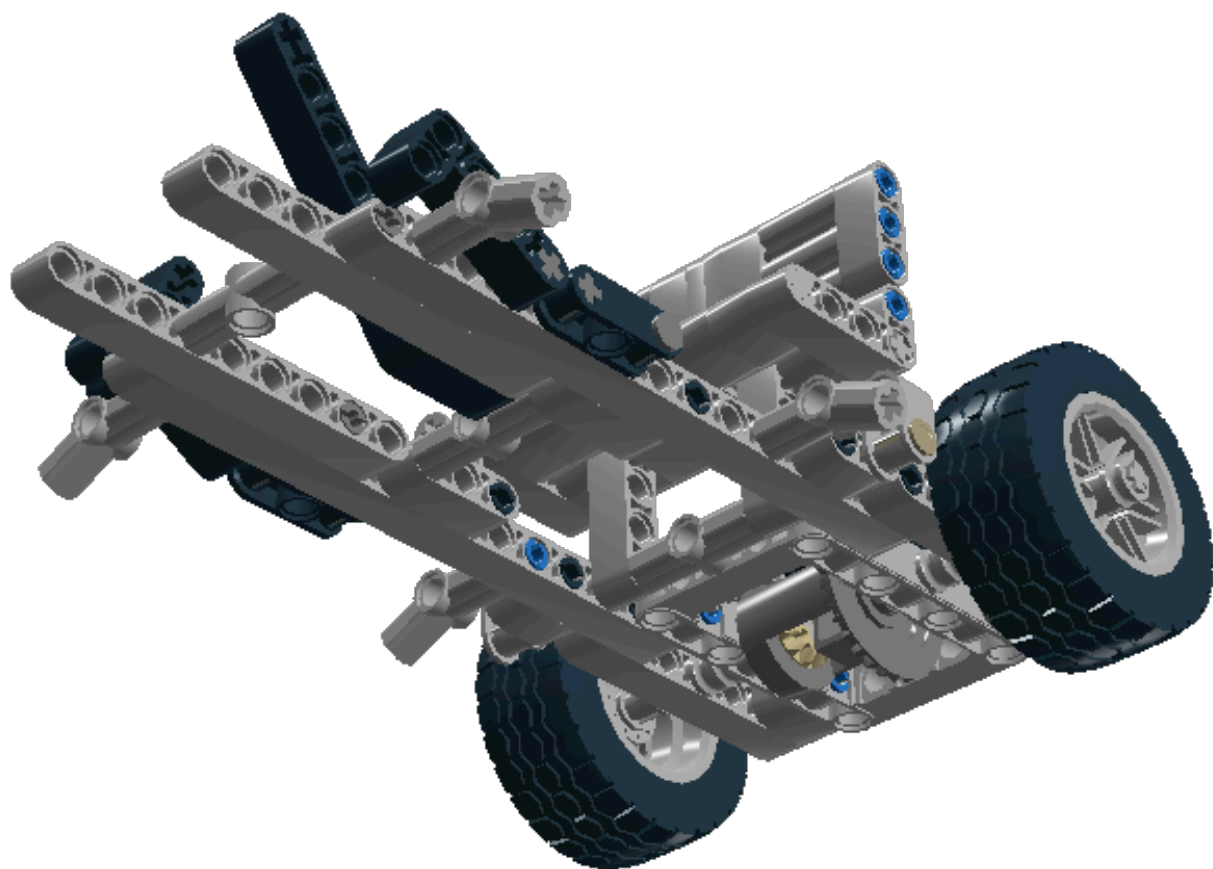


1 x



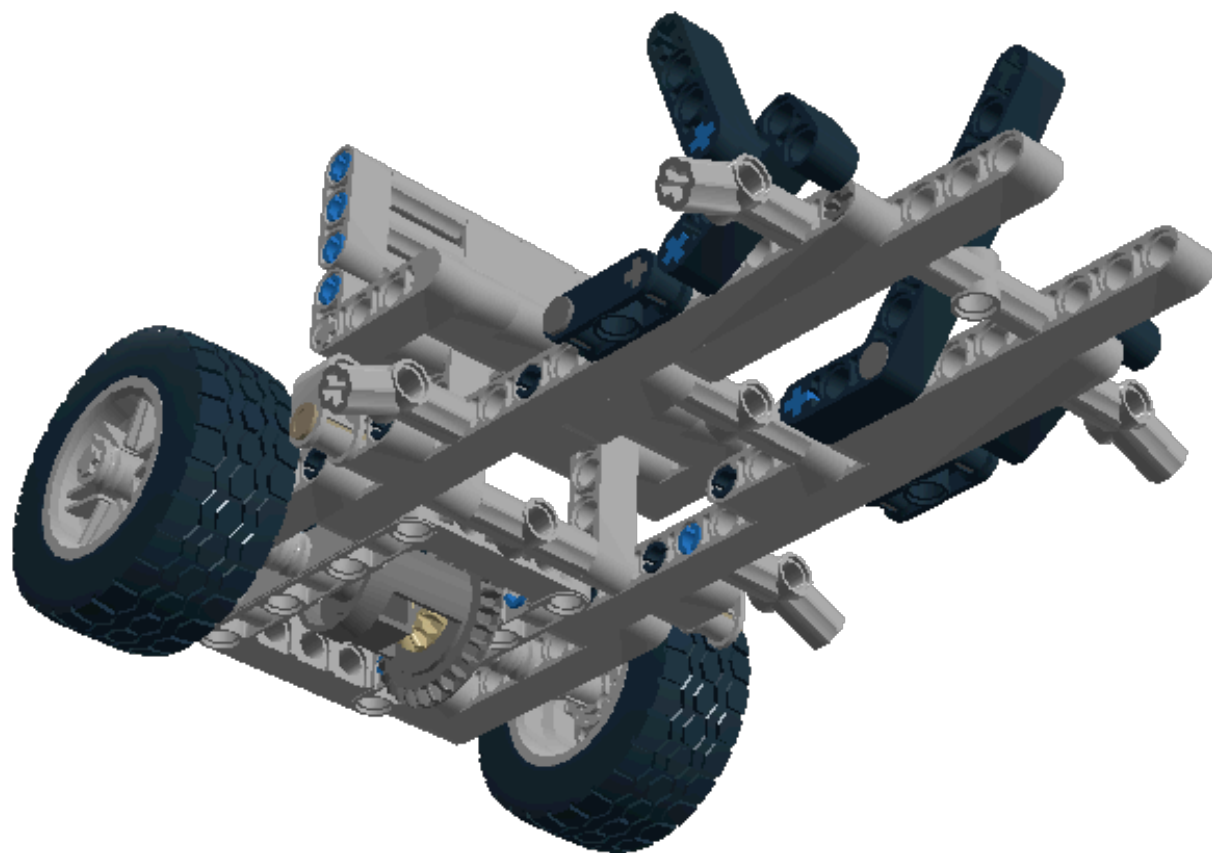
Step 281 of 319

1 x



Step 282 of 319

1 x

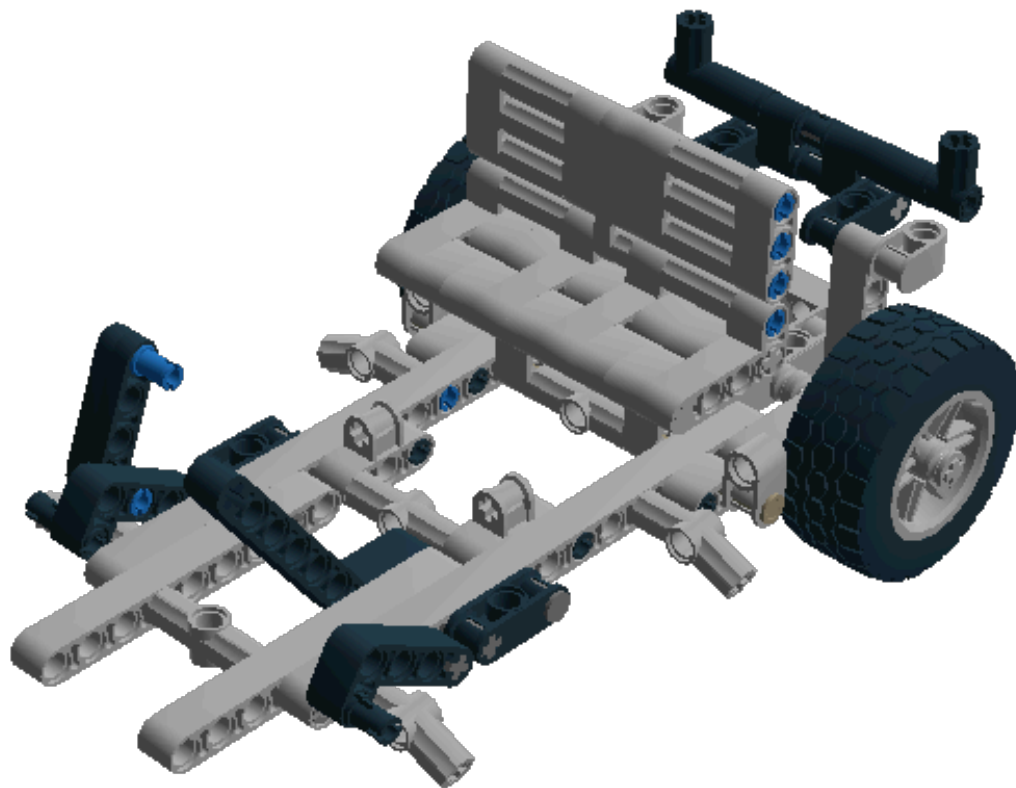


Step 283 of 319

2 x



1 x



Step 284 of 319

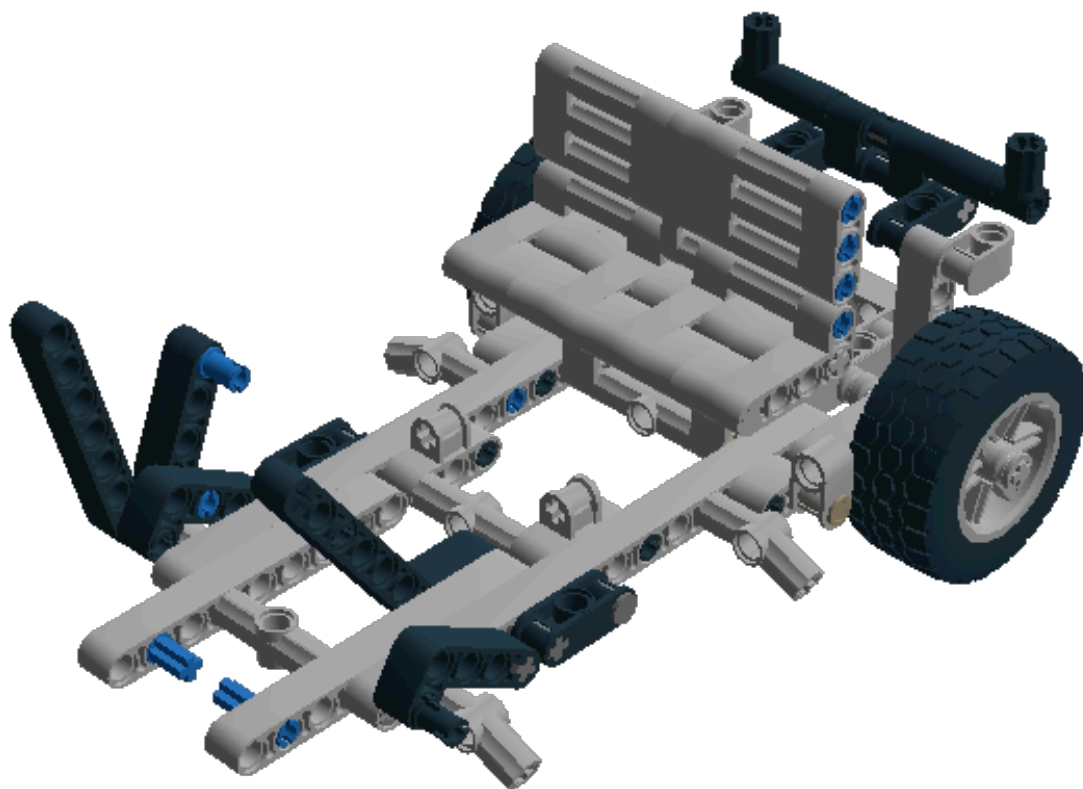
1 x



1 x



2 x

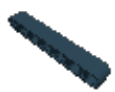


Step 285 of 319

1 x



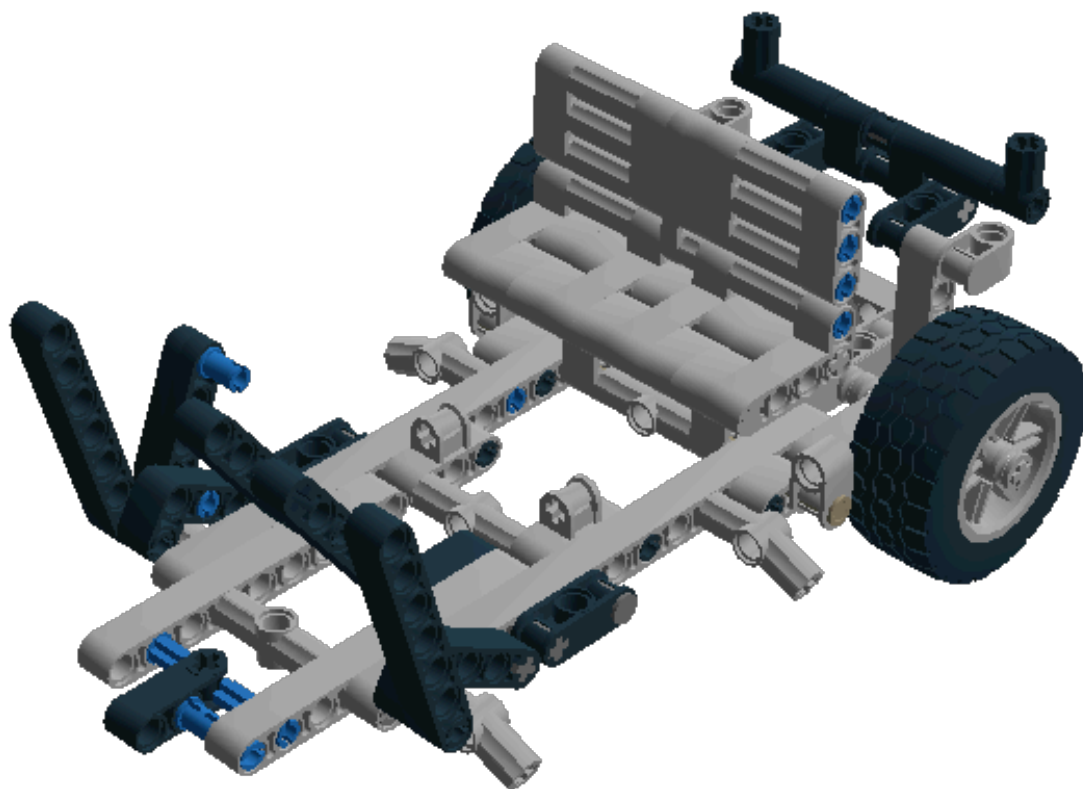
1 x



1 x



1 x



Step 286 of 319

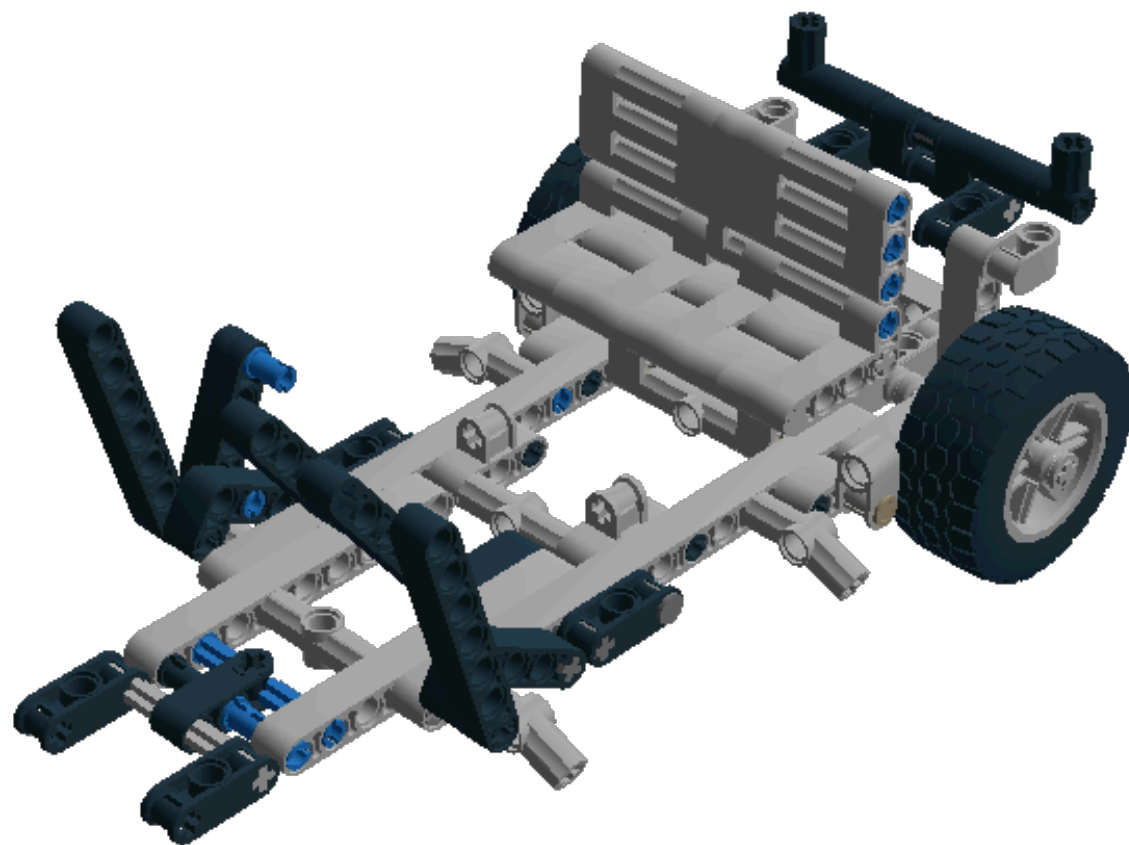
1 x



1 x



2 x



Step 287 of 319

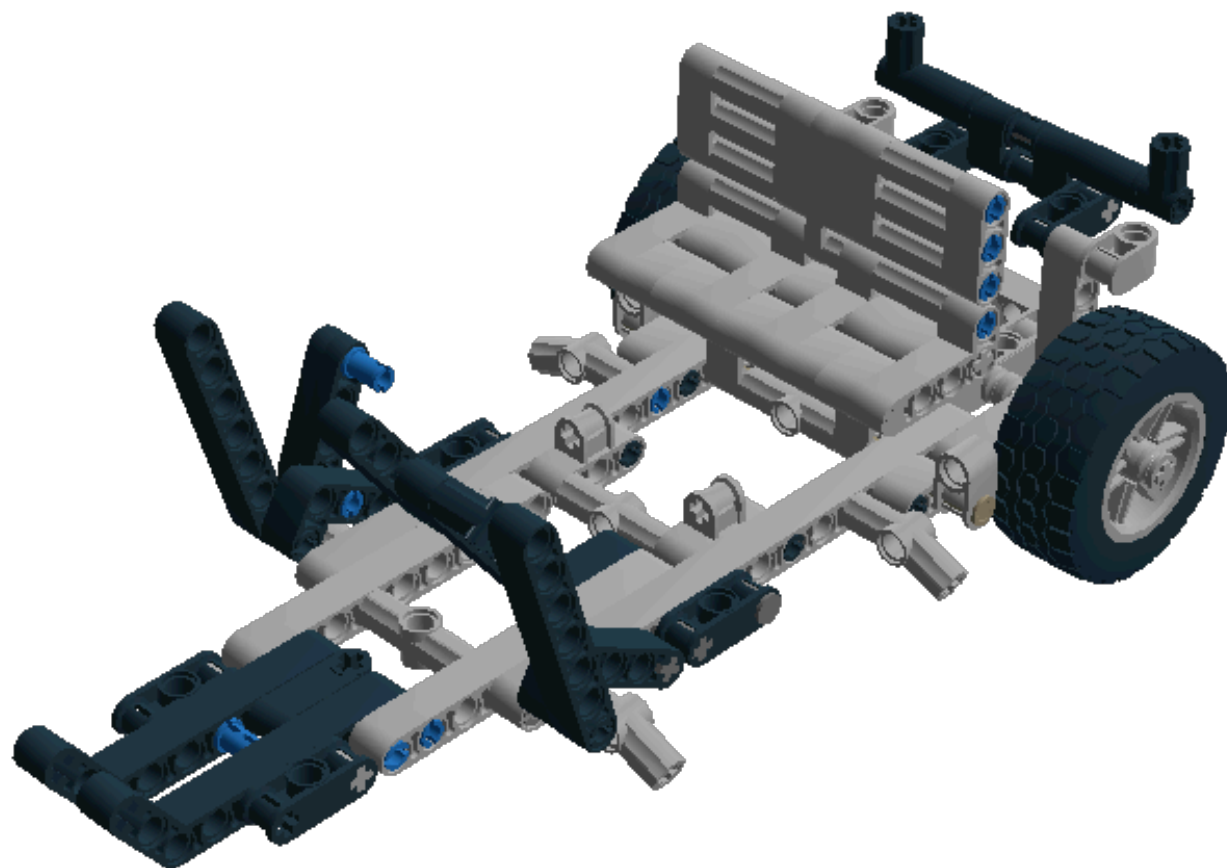
2 x



1 x

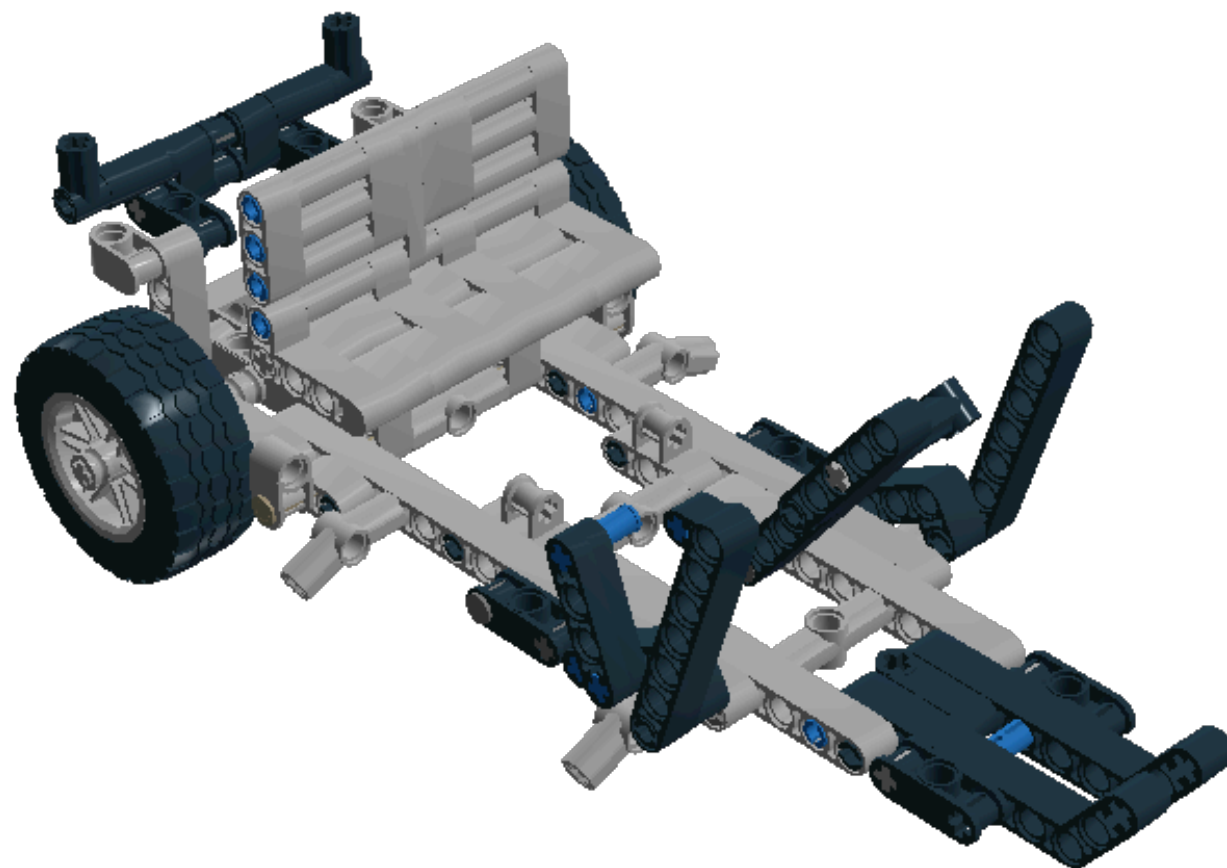
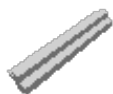


1 x



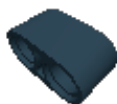
Step 288 of 319

1 x



Step 289 of 319

1 x



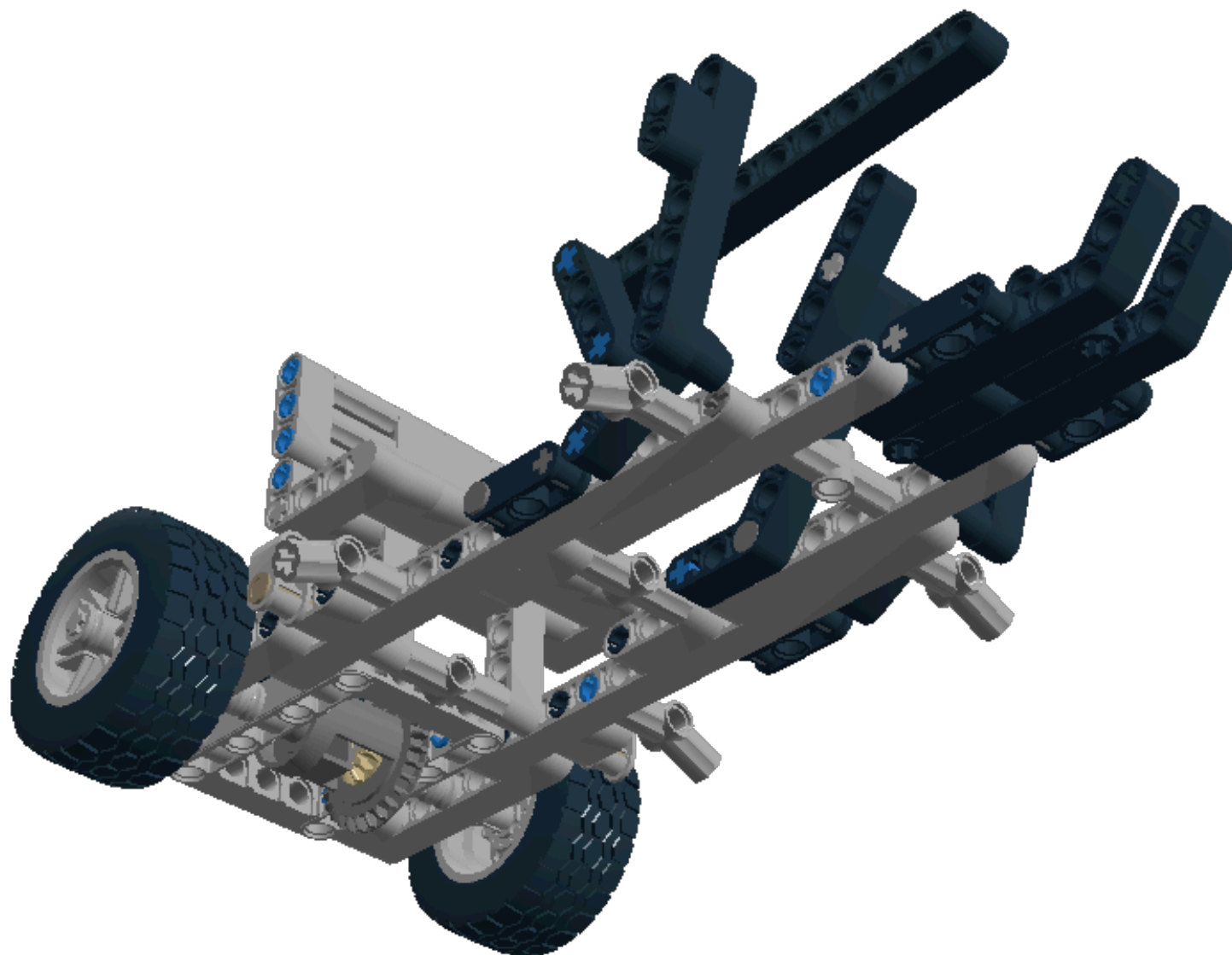
1 x



1 x



1 x



Step 290 of 319

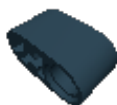
1 x



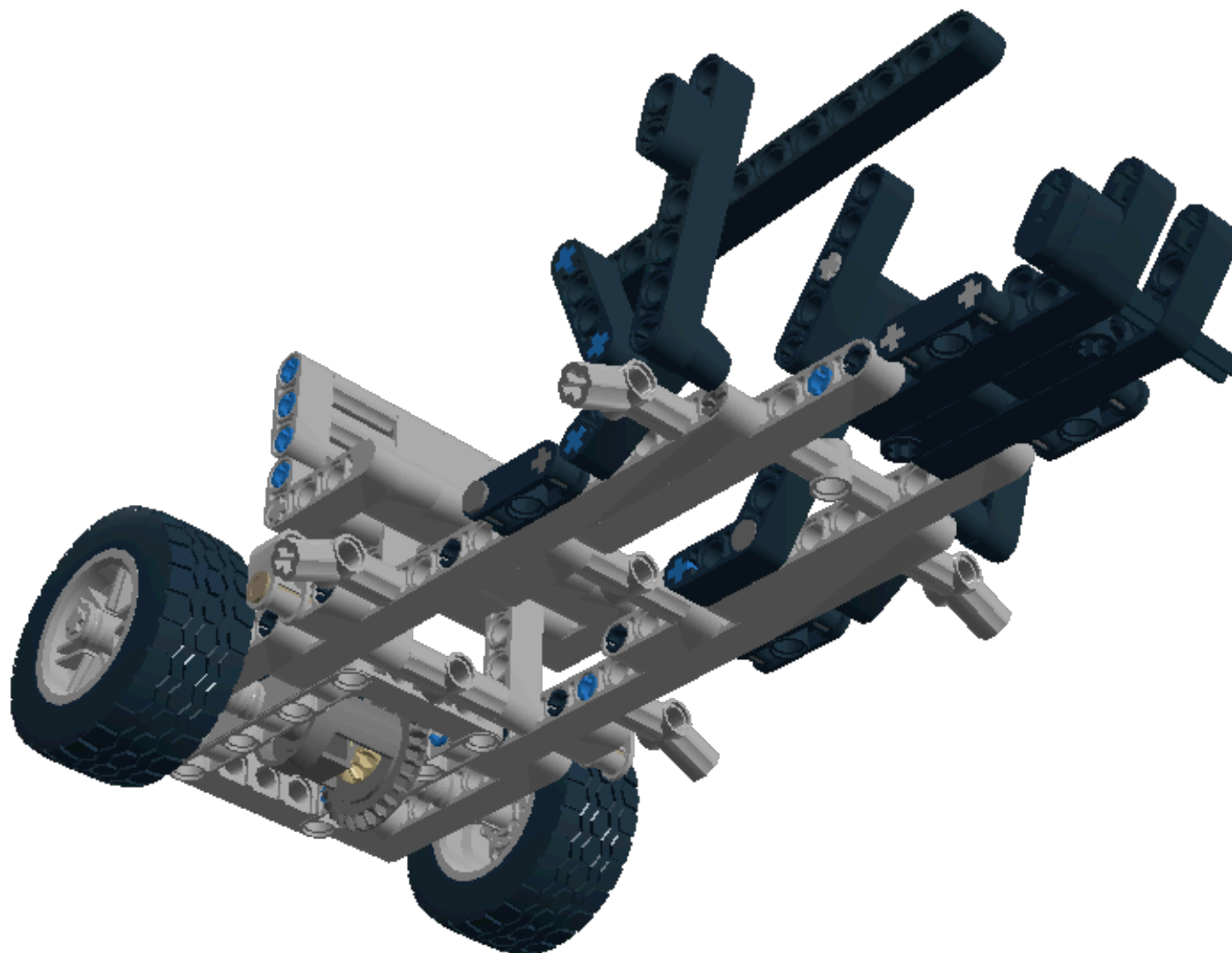
1 x



1 x

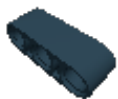


1 x



Step 291 of 319

1 x



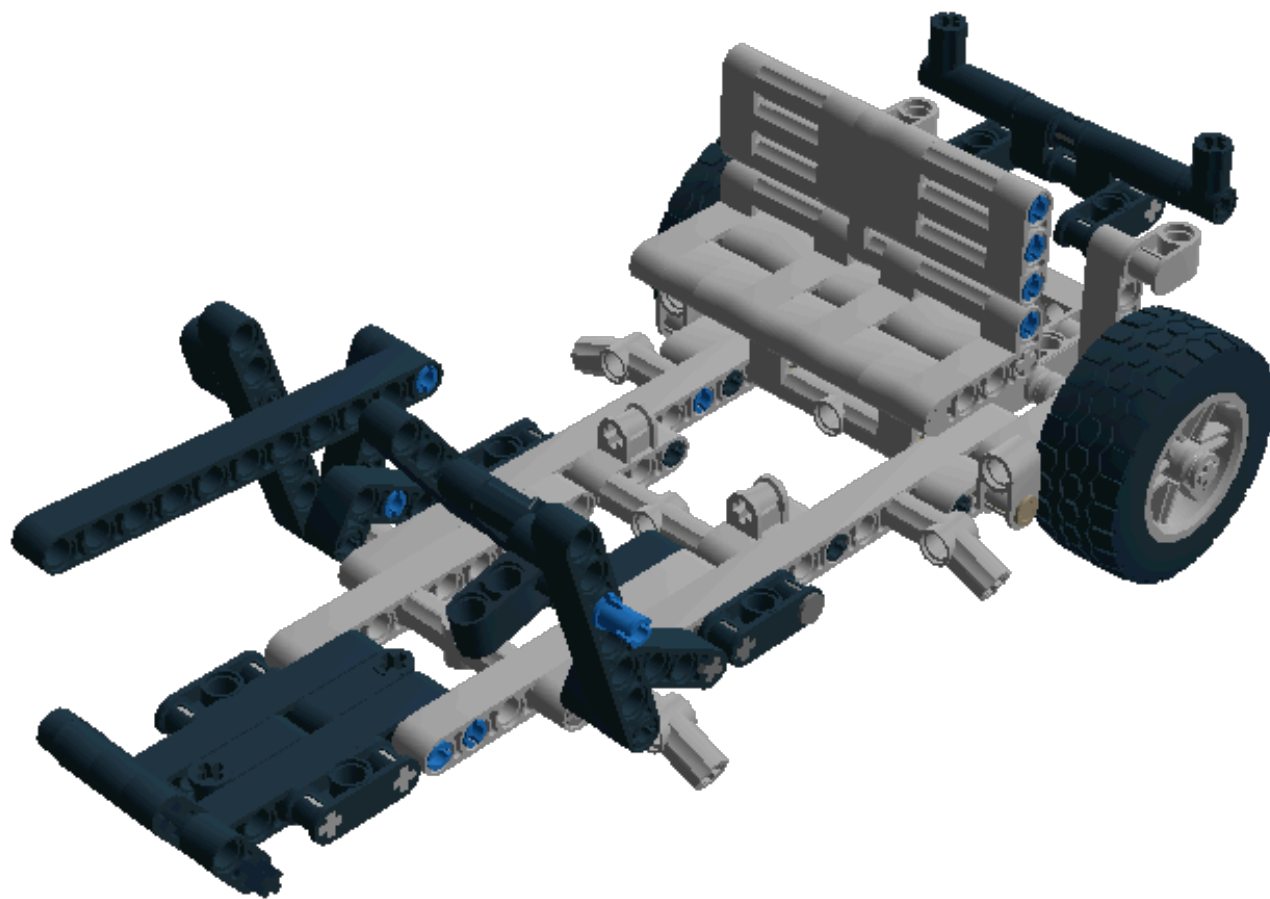
1 x



1 x

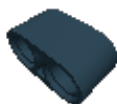


1 x



Step 292 of 319

1 x



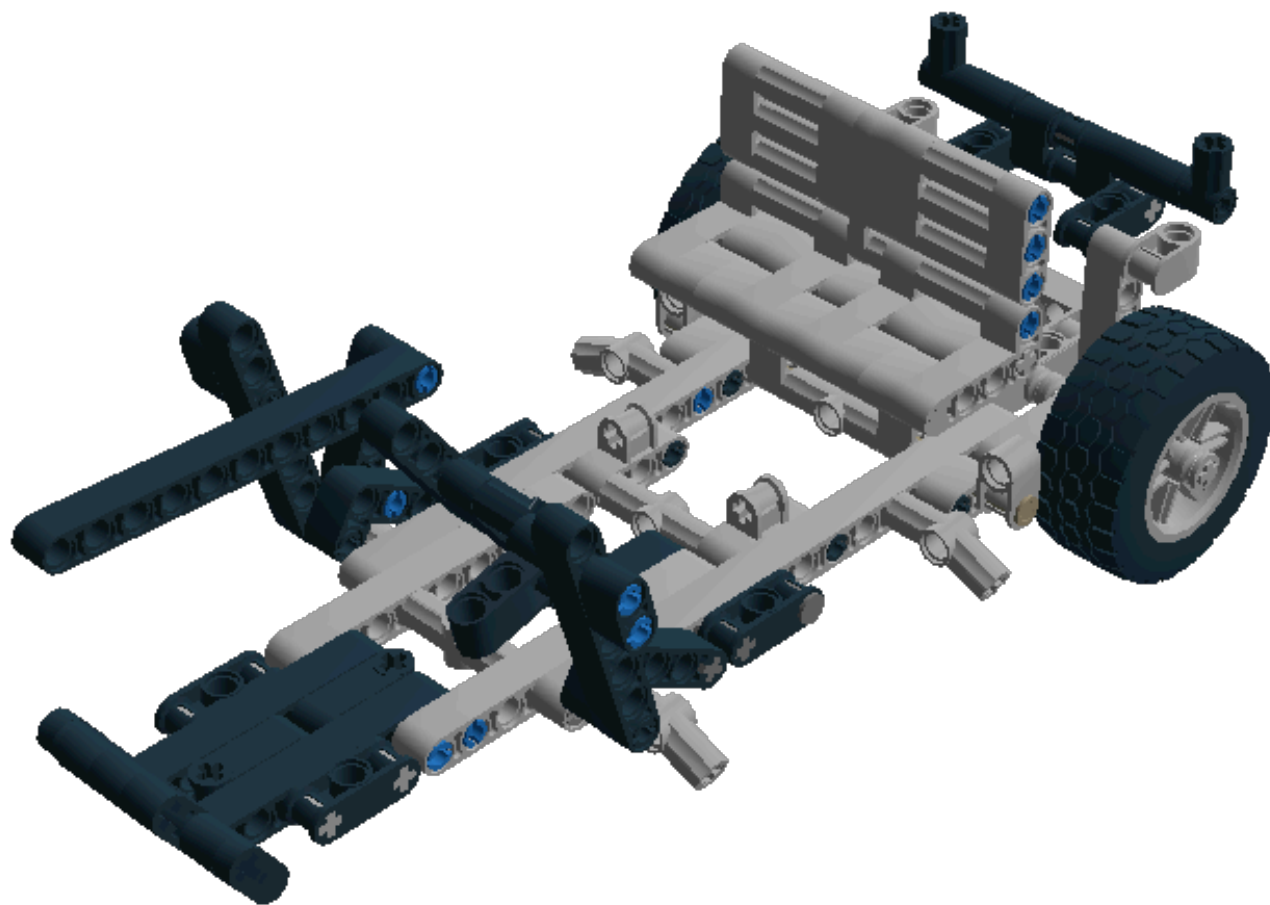
1 x



1 x



1 x

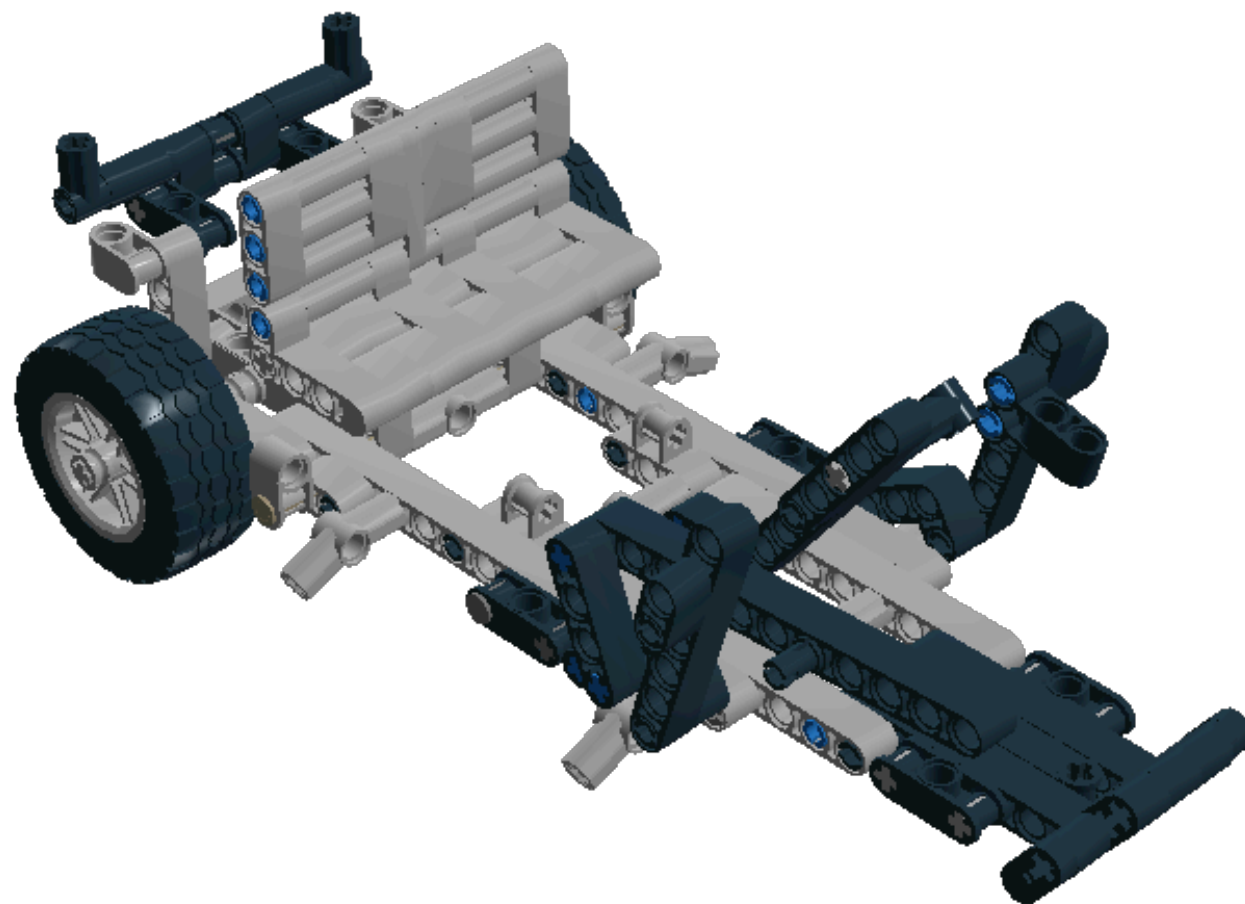


Step 293 of 319

1 x



1 x

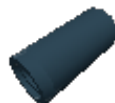


Step 294 of 319

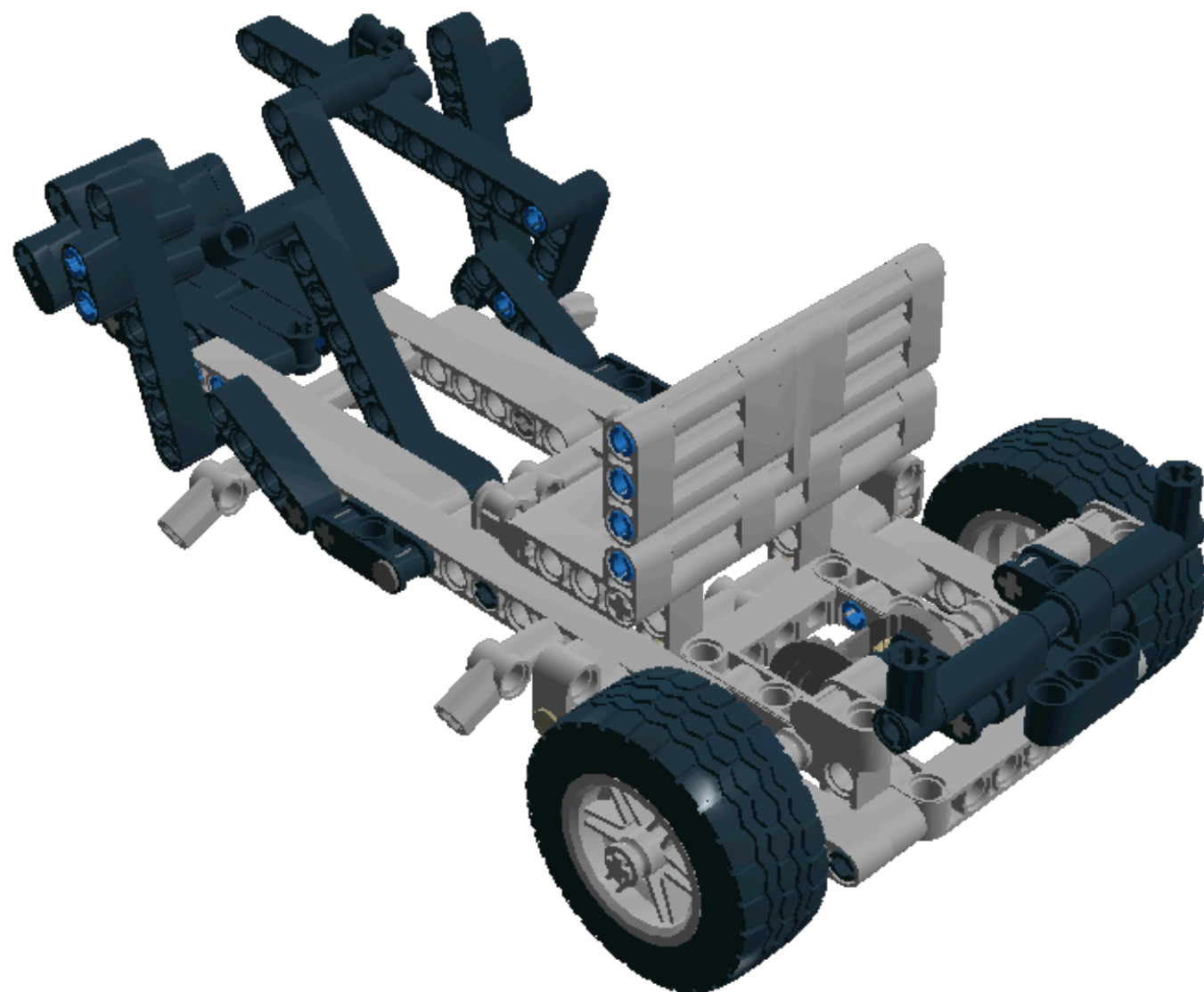
2 x



1 x

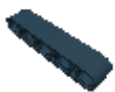


1 x

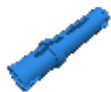


Step 295 of 319

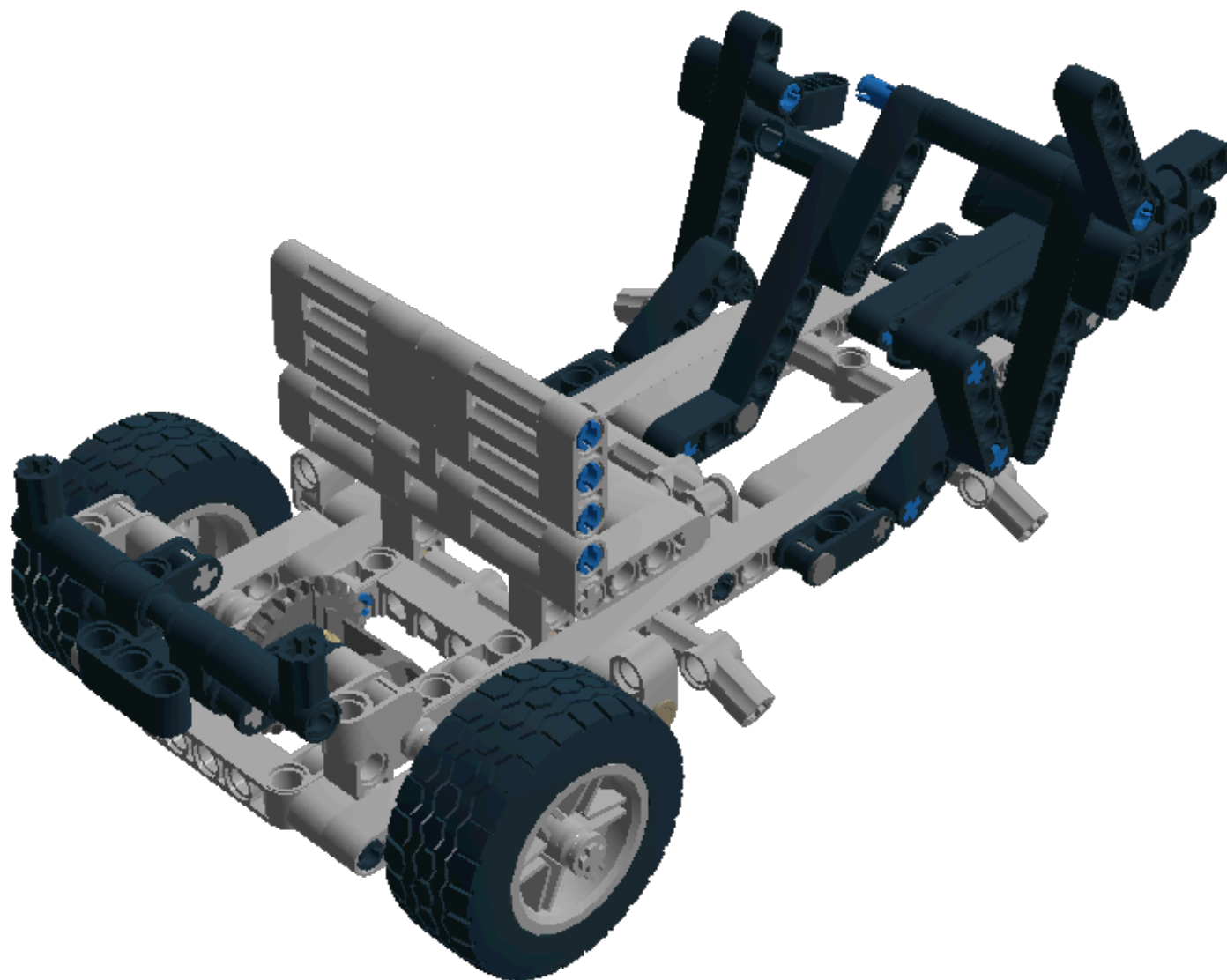
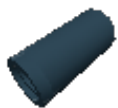
1 x



2 x



1 x

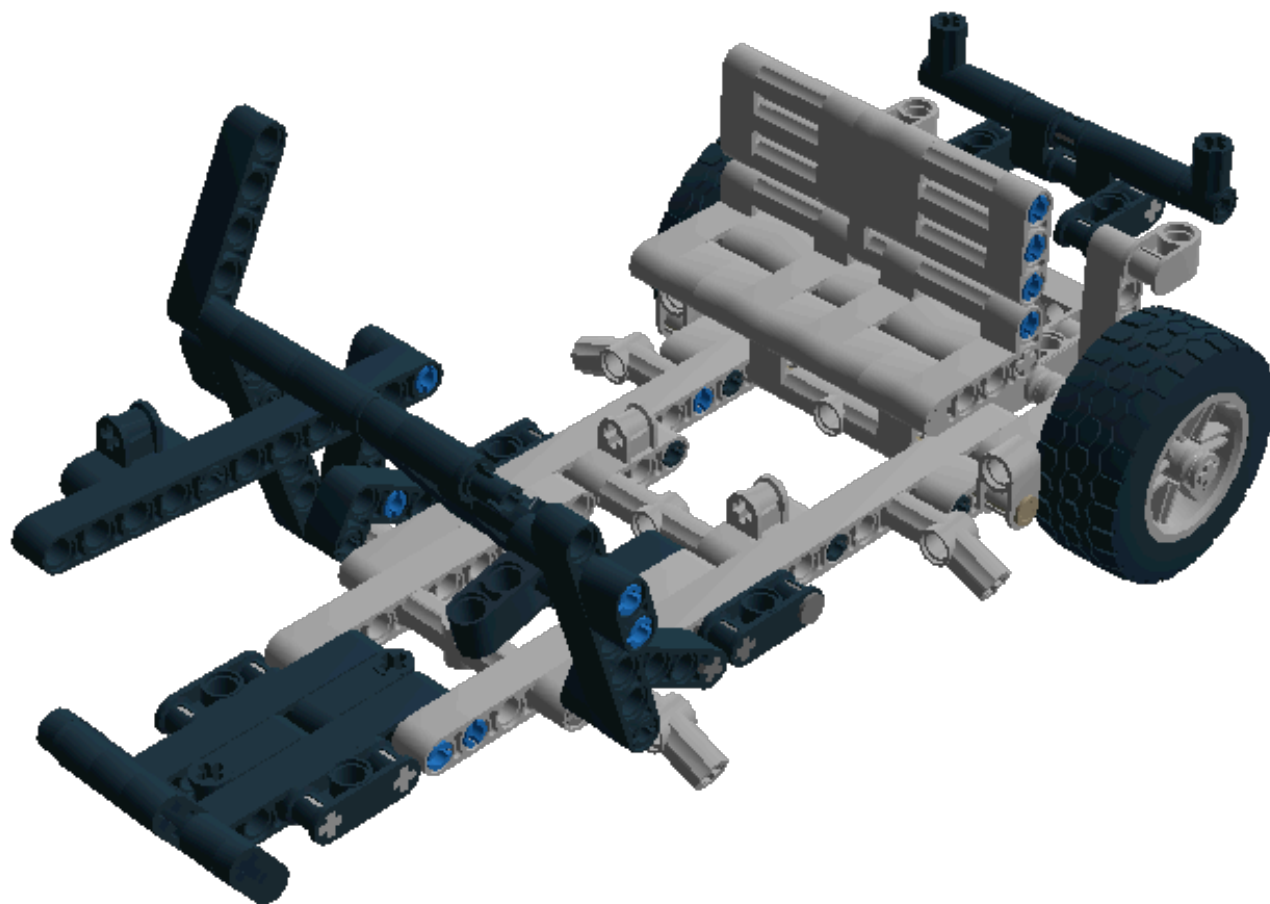
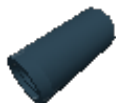


Step 296 of 319

1 x

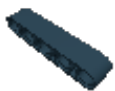


1 x



Step 297 of 319

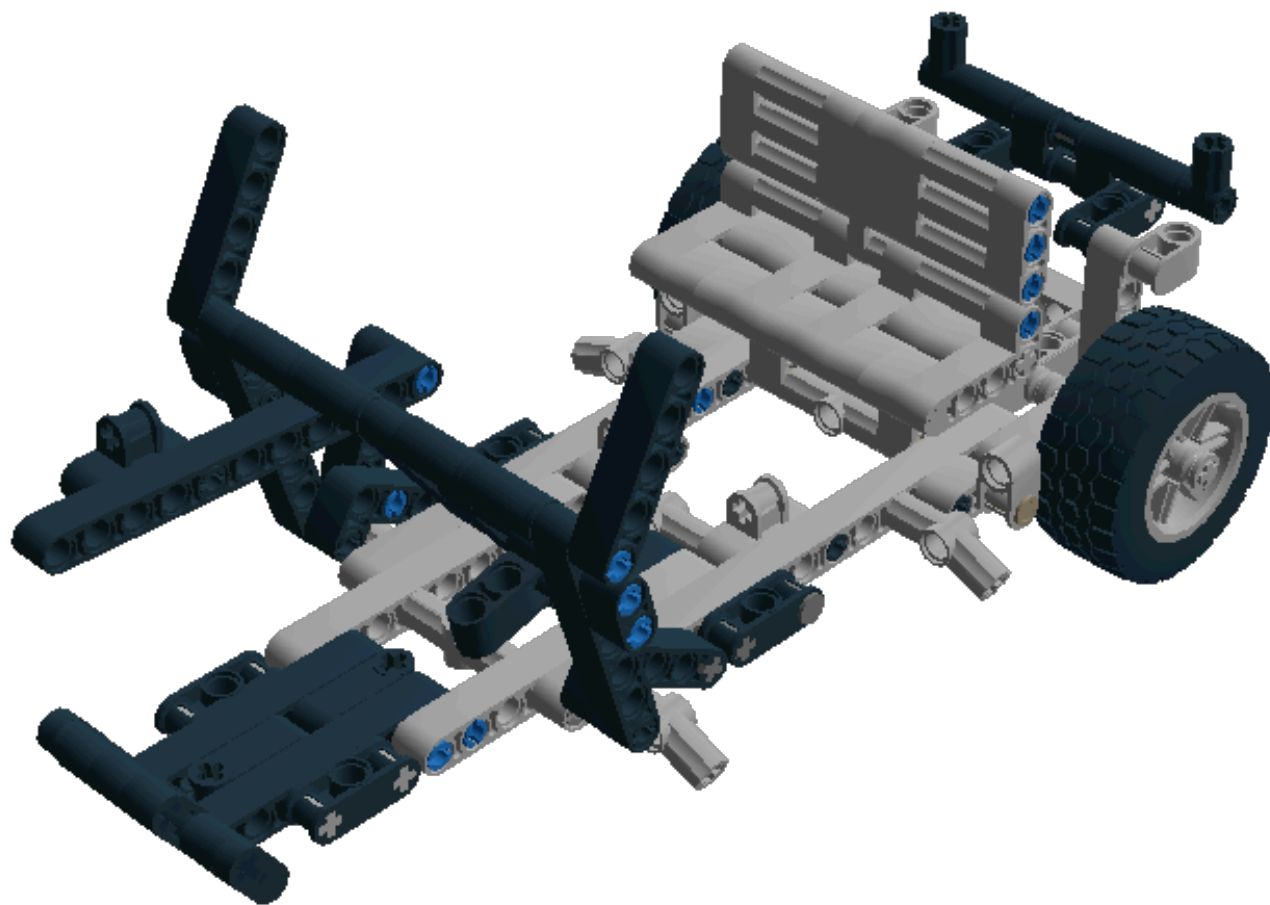
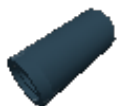
1 x



1 x



1 x

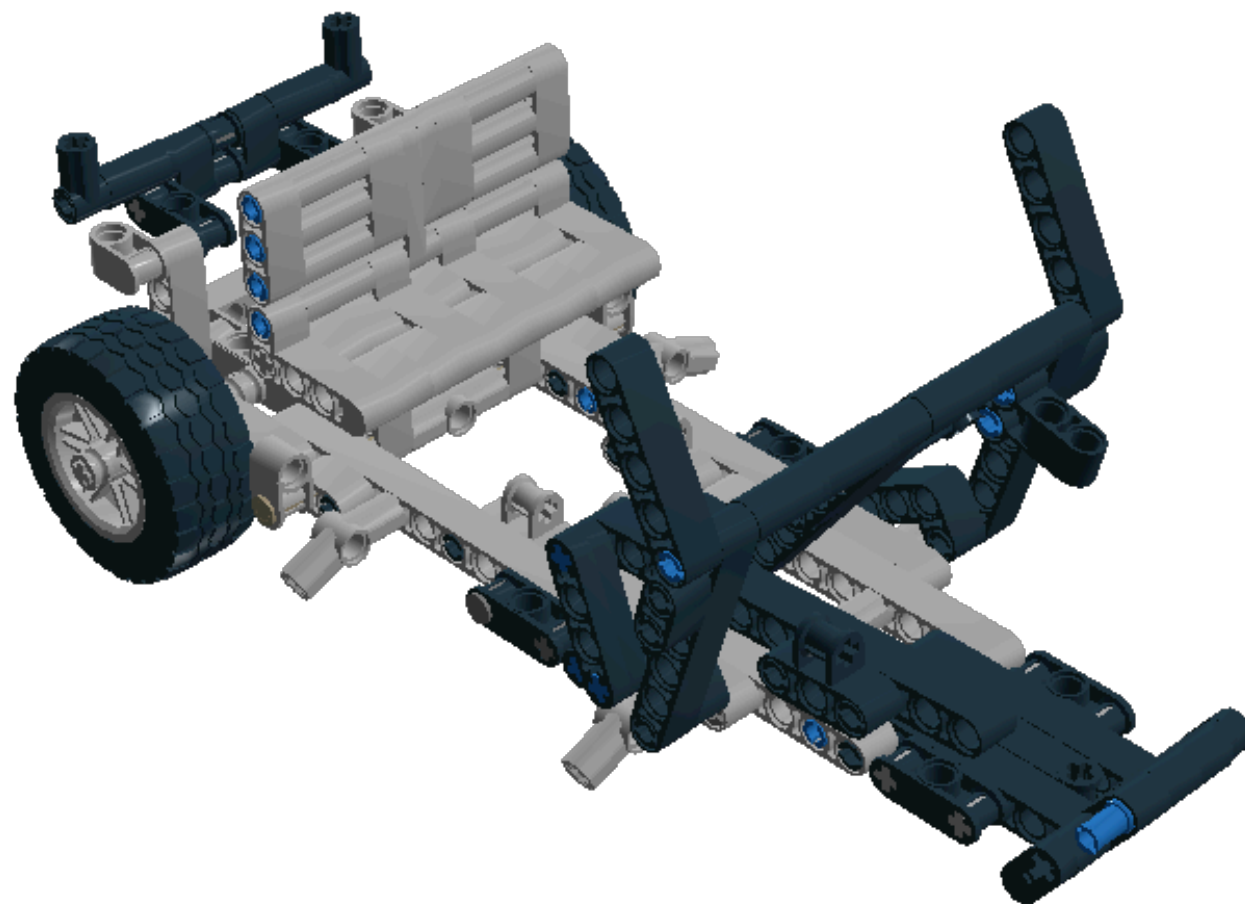


Step 298 of 319

1 x



1 x



Step 299 of 319

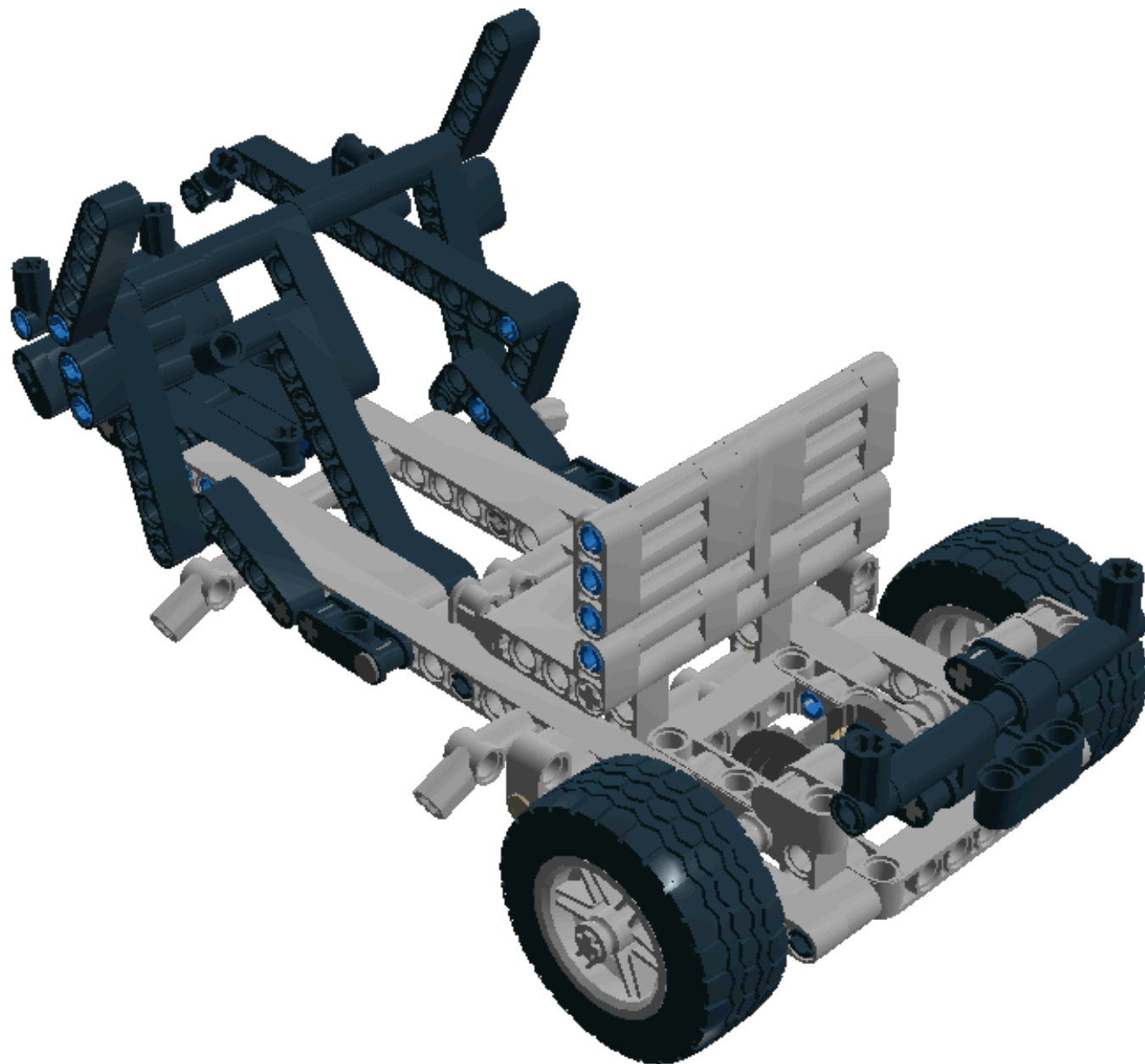
1 x



2 x



1 x



Step 300 of 319

1 x



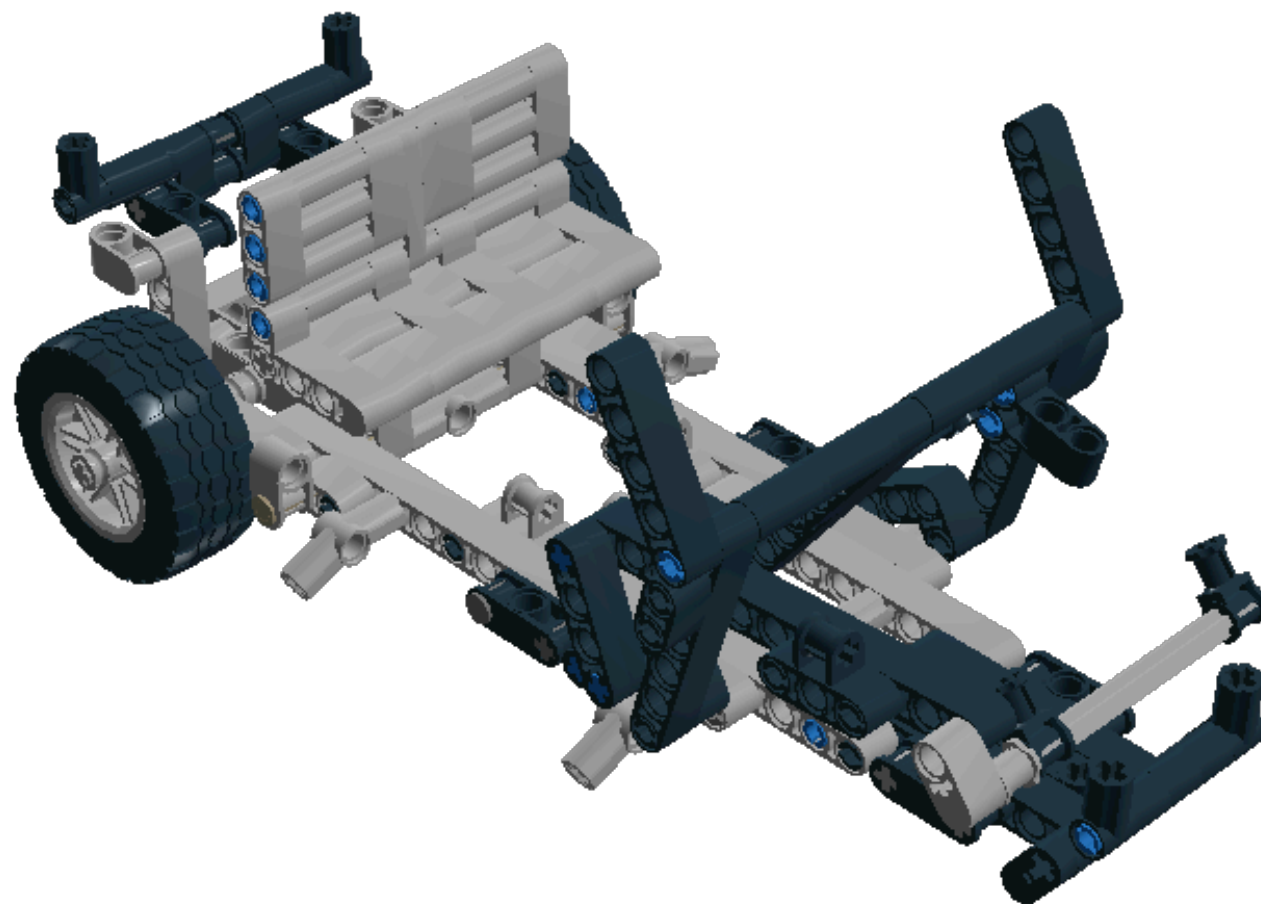
1 x



1 x

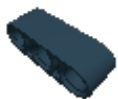


1 x



Step 301 of 319

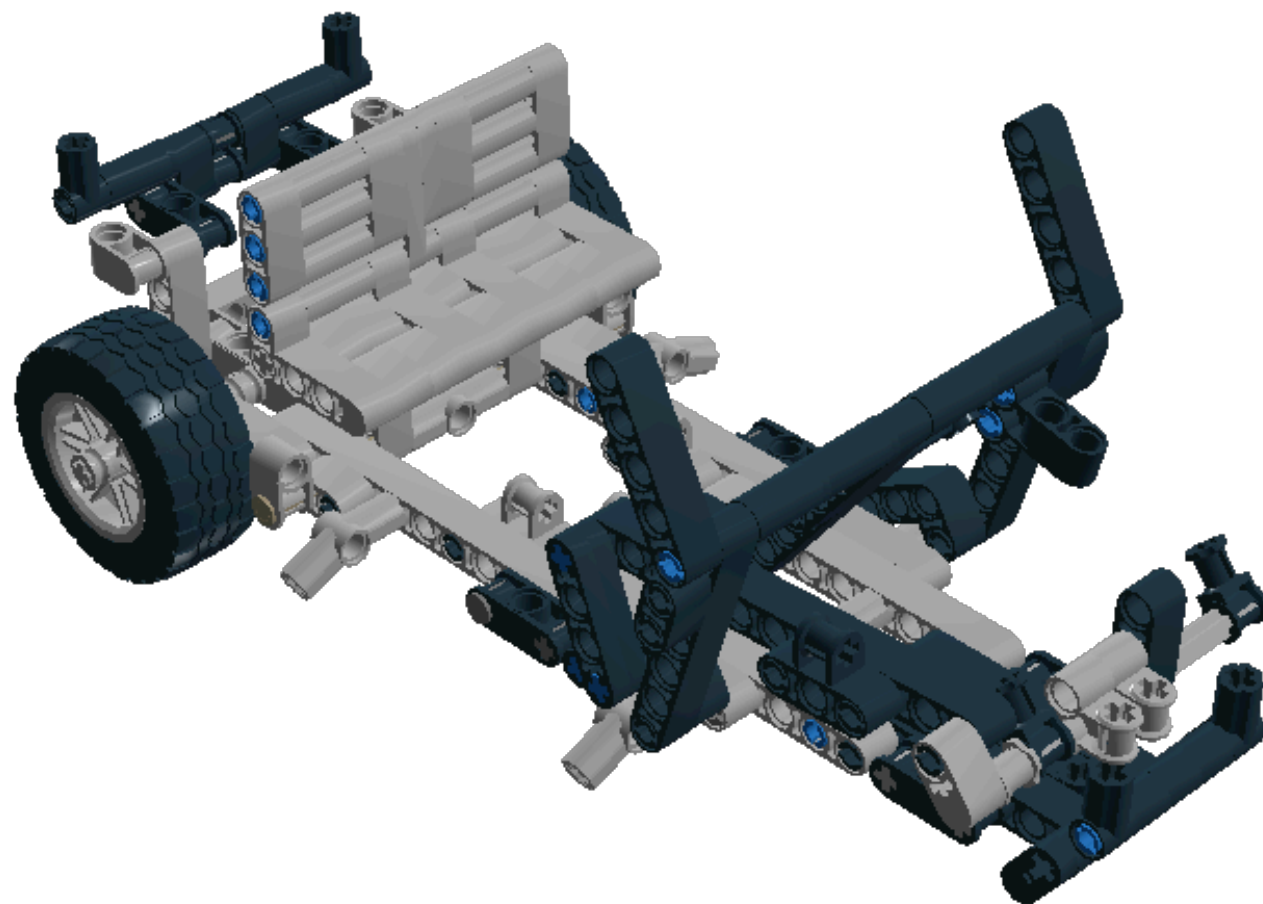
1 x



1 x



2 x



Step 302 of 319

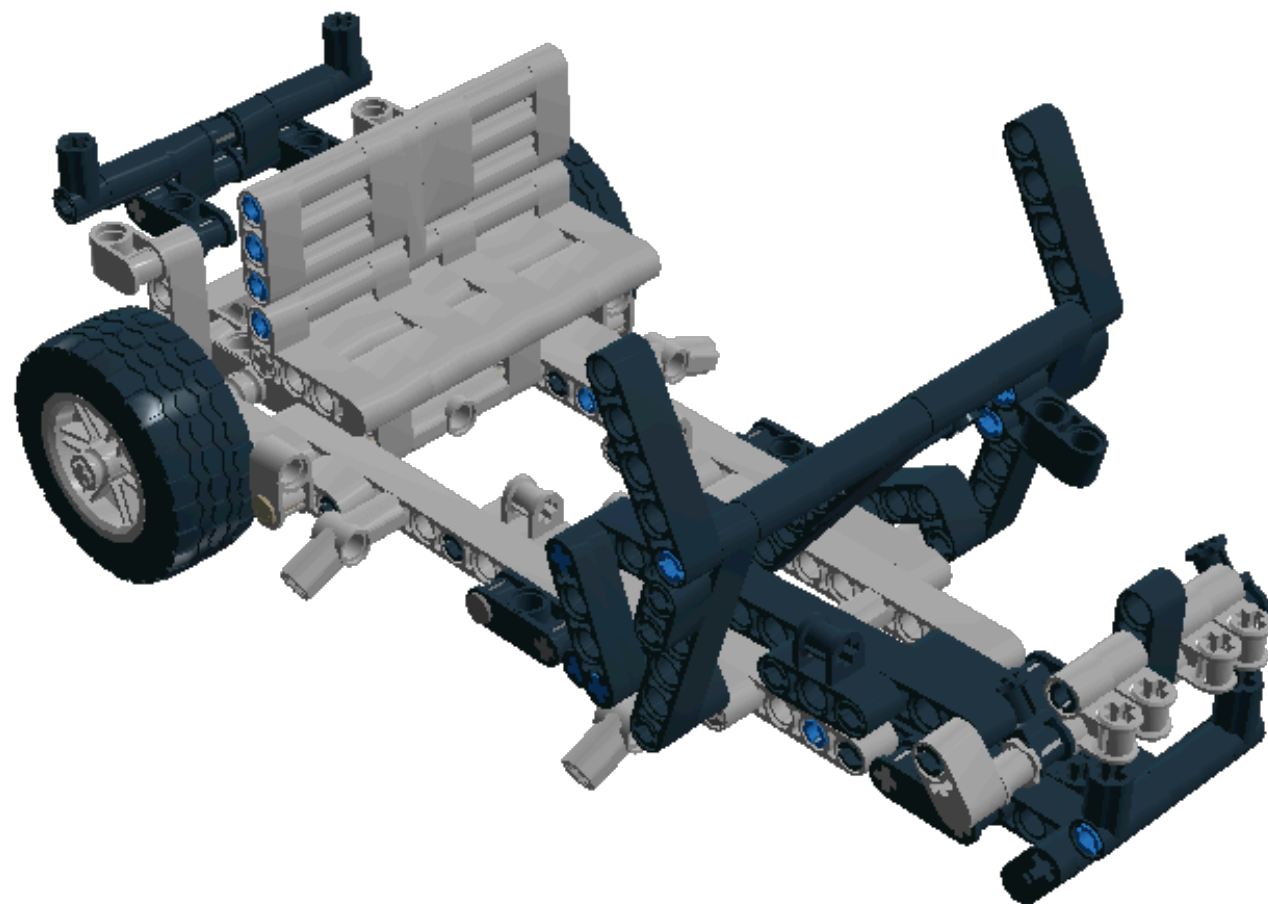
1 x



1 x

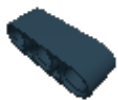


2 x

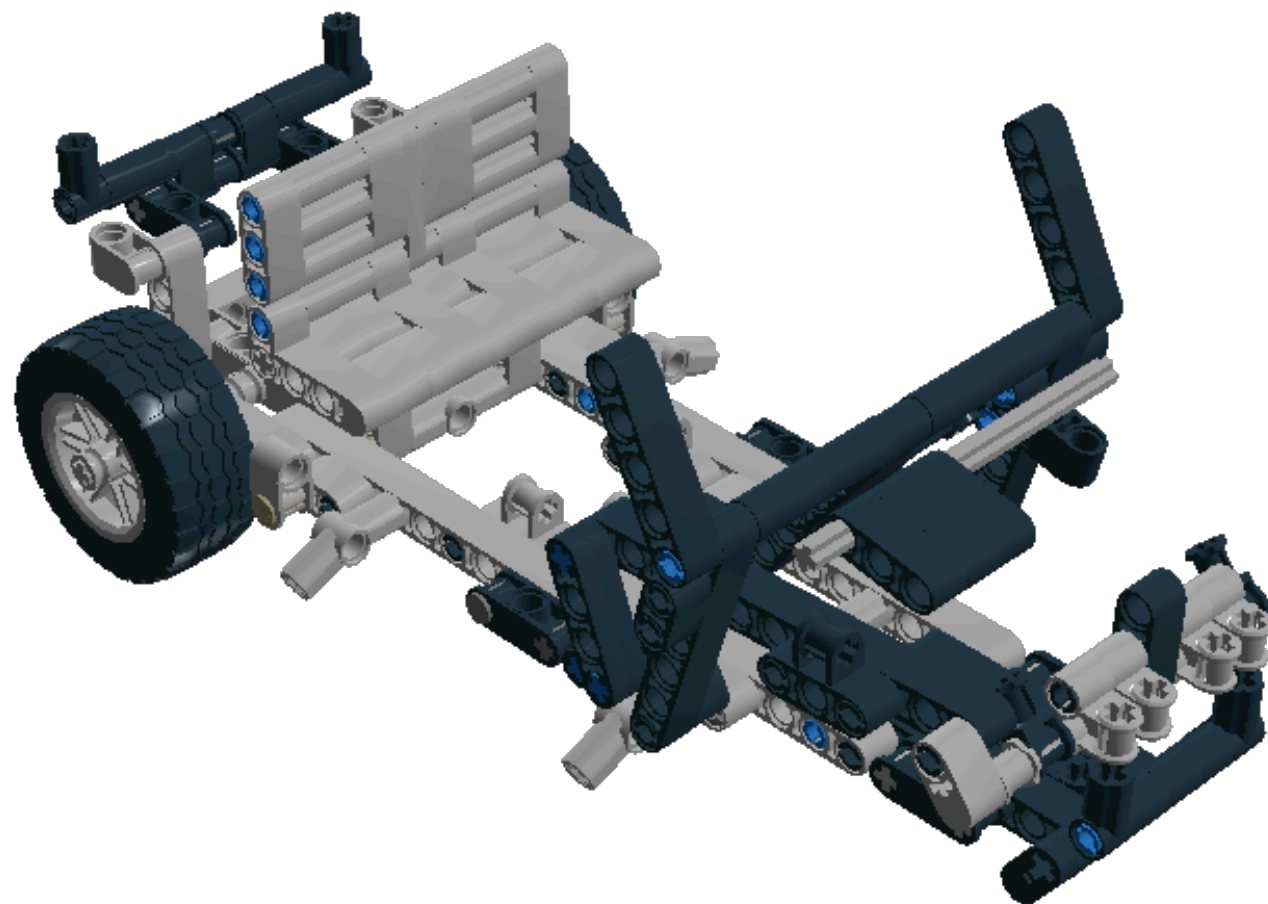


Step 303 of 319

3 x

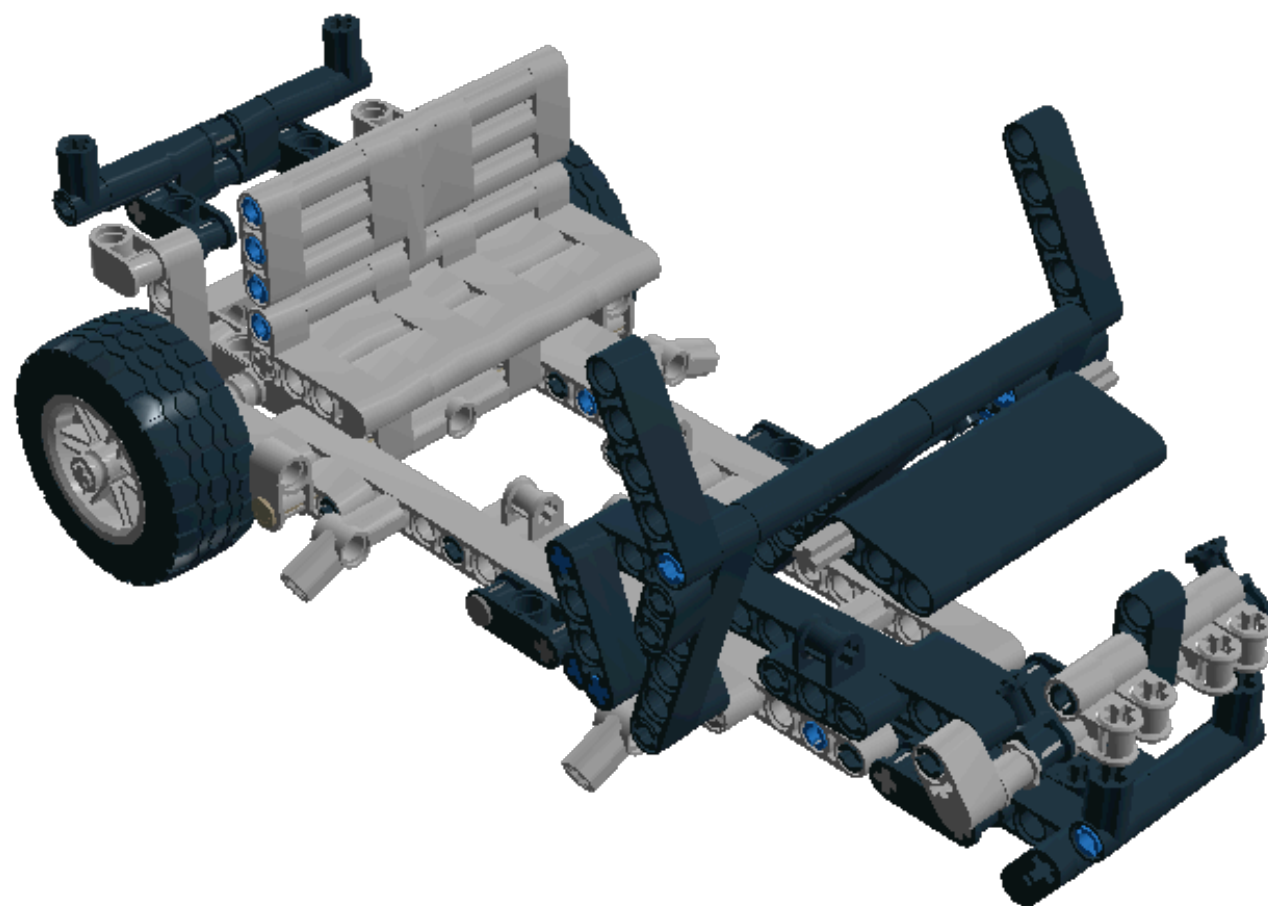
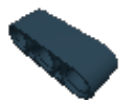


1 x



Step 304 of 319

4 x

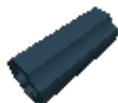


Step 305 of 319

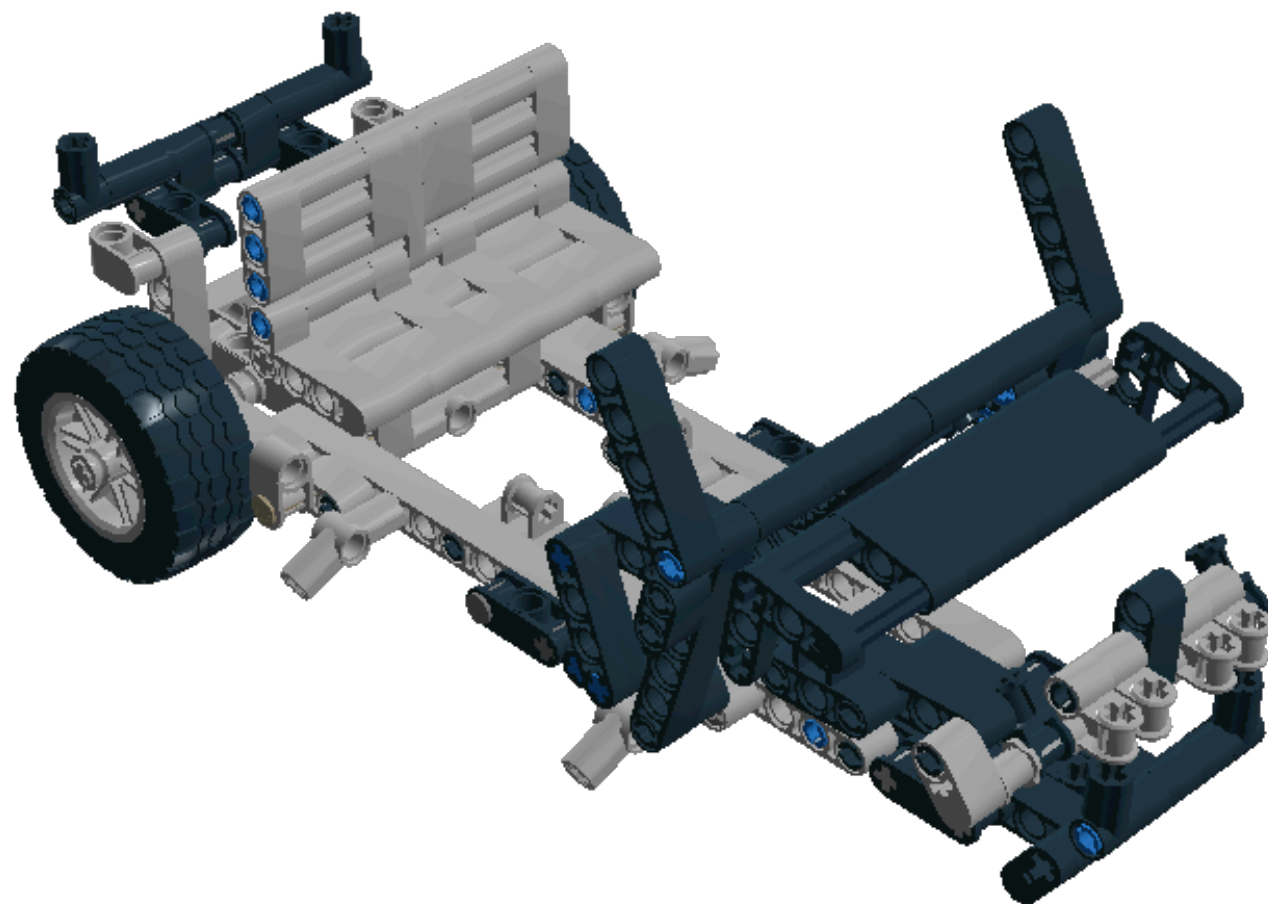
2 x



1 x

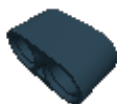


1 x



Step 306 of 319

1 x



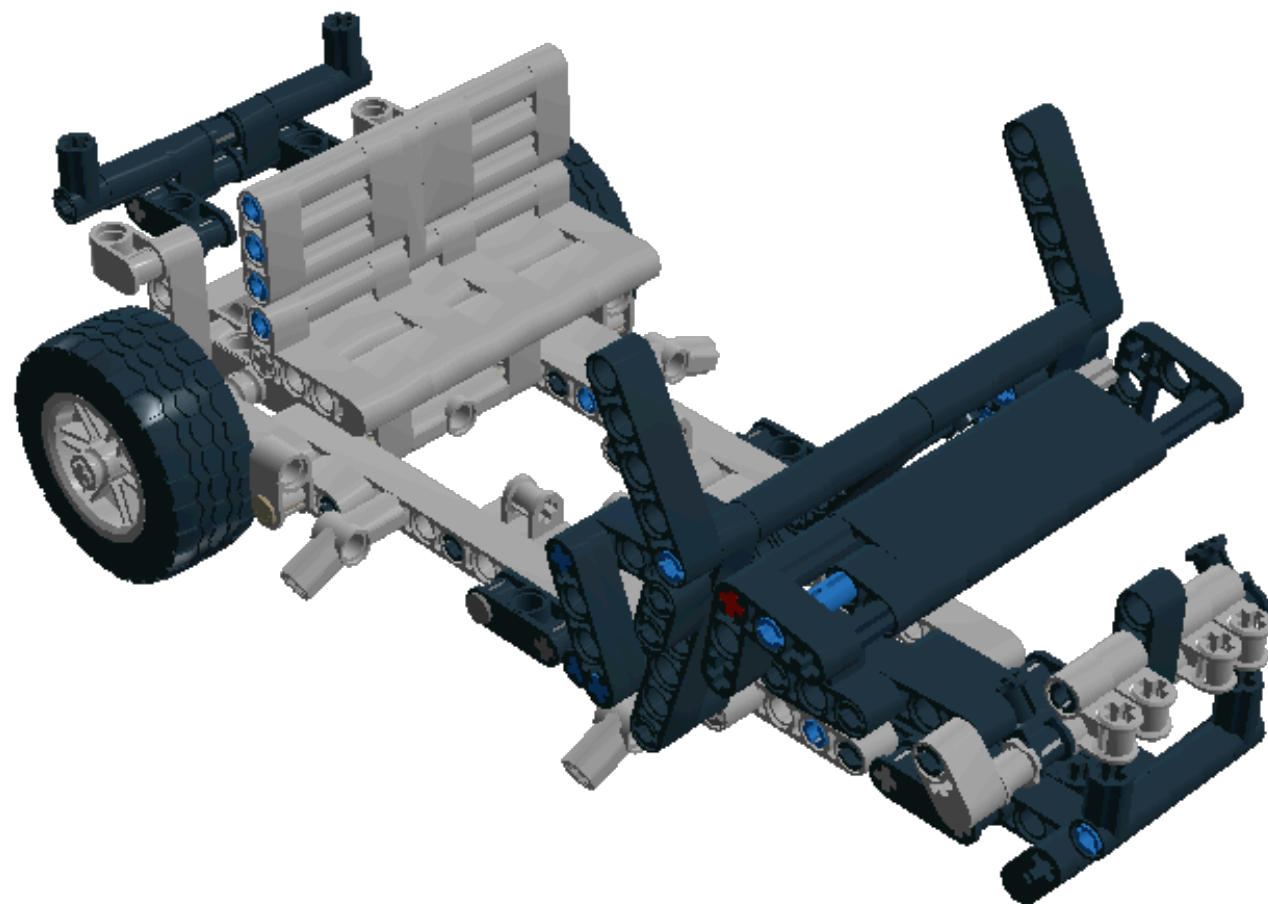
1 x



1 x

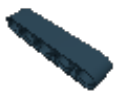


1 x



Step 307 of 319

1 x



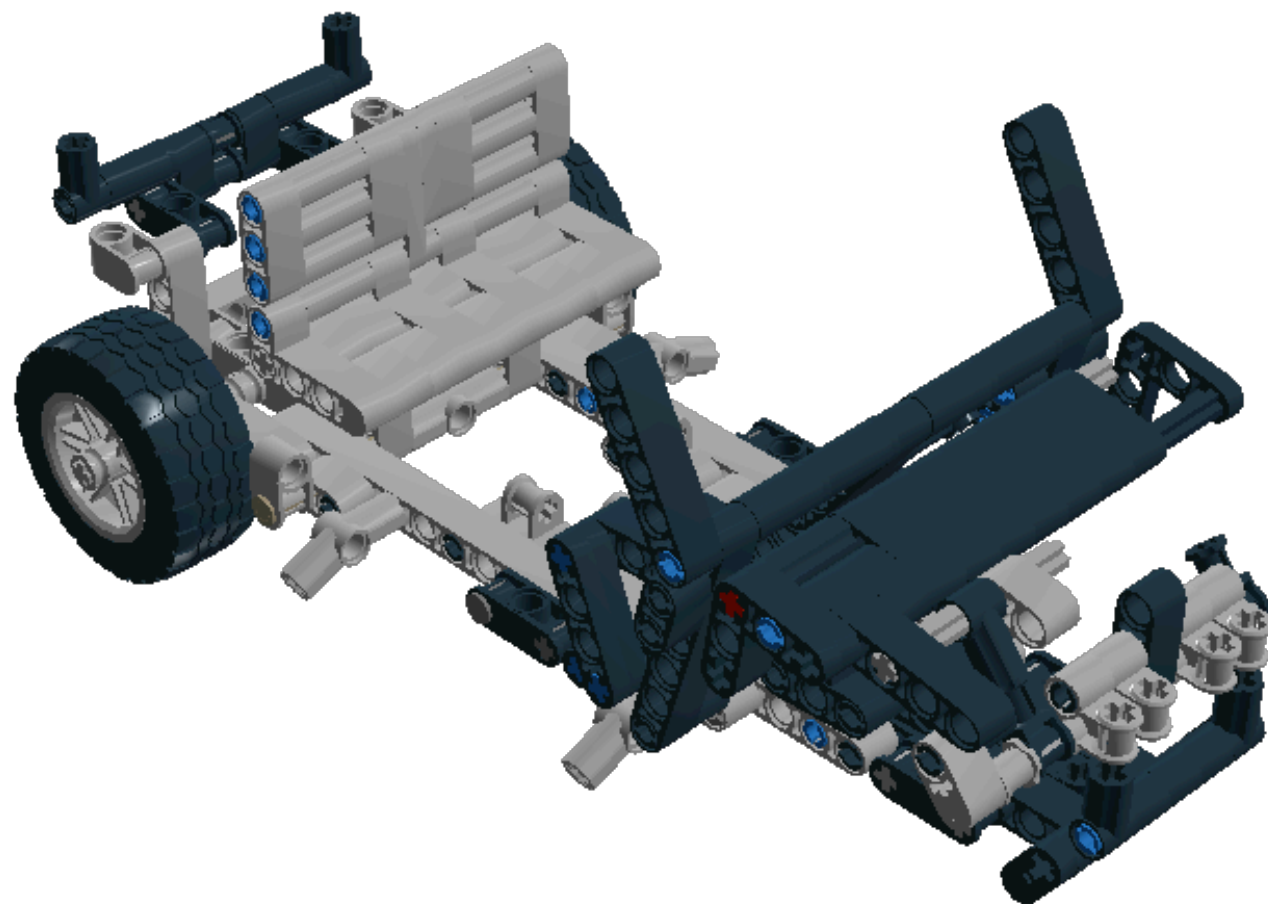
1 x



1 x

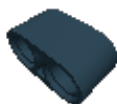


1 x



Step 308 of 319

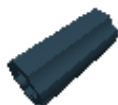
1 x



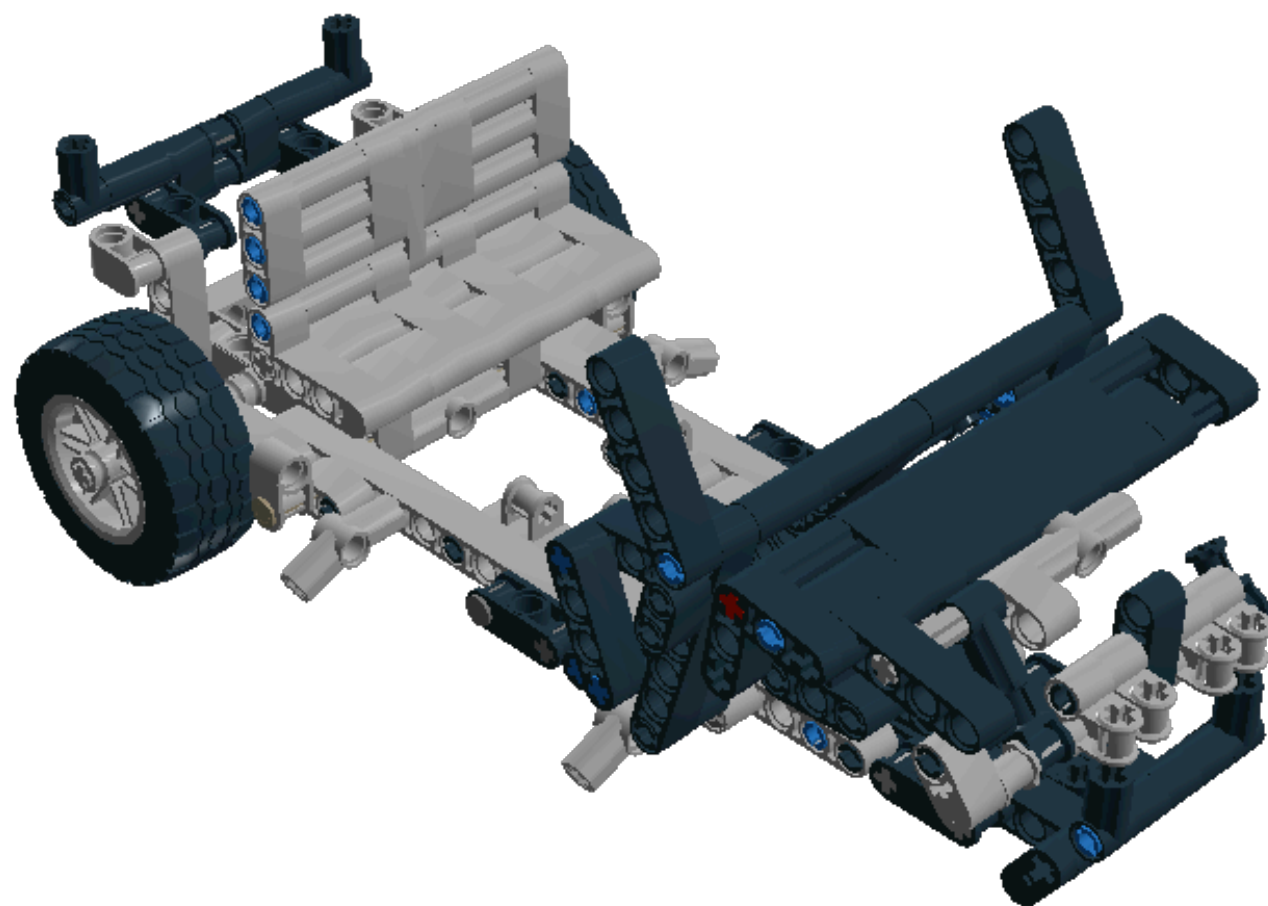
1 x



1 x



1 x



Step 309 of 319

1 x



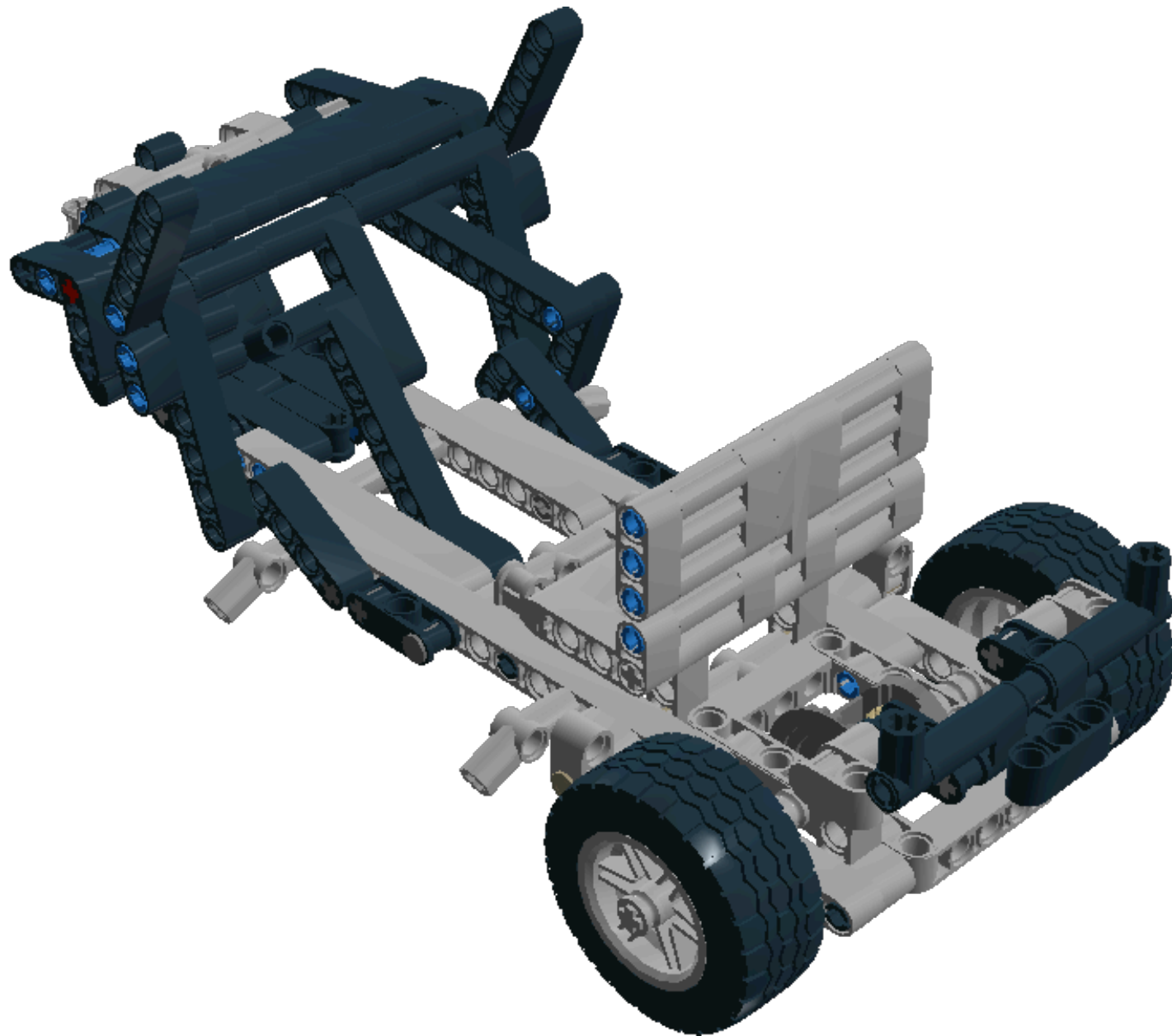
1 x



1 x

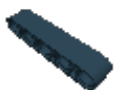


1 x



Step 310 of 319

1 x



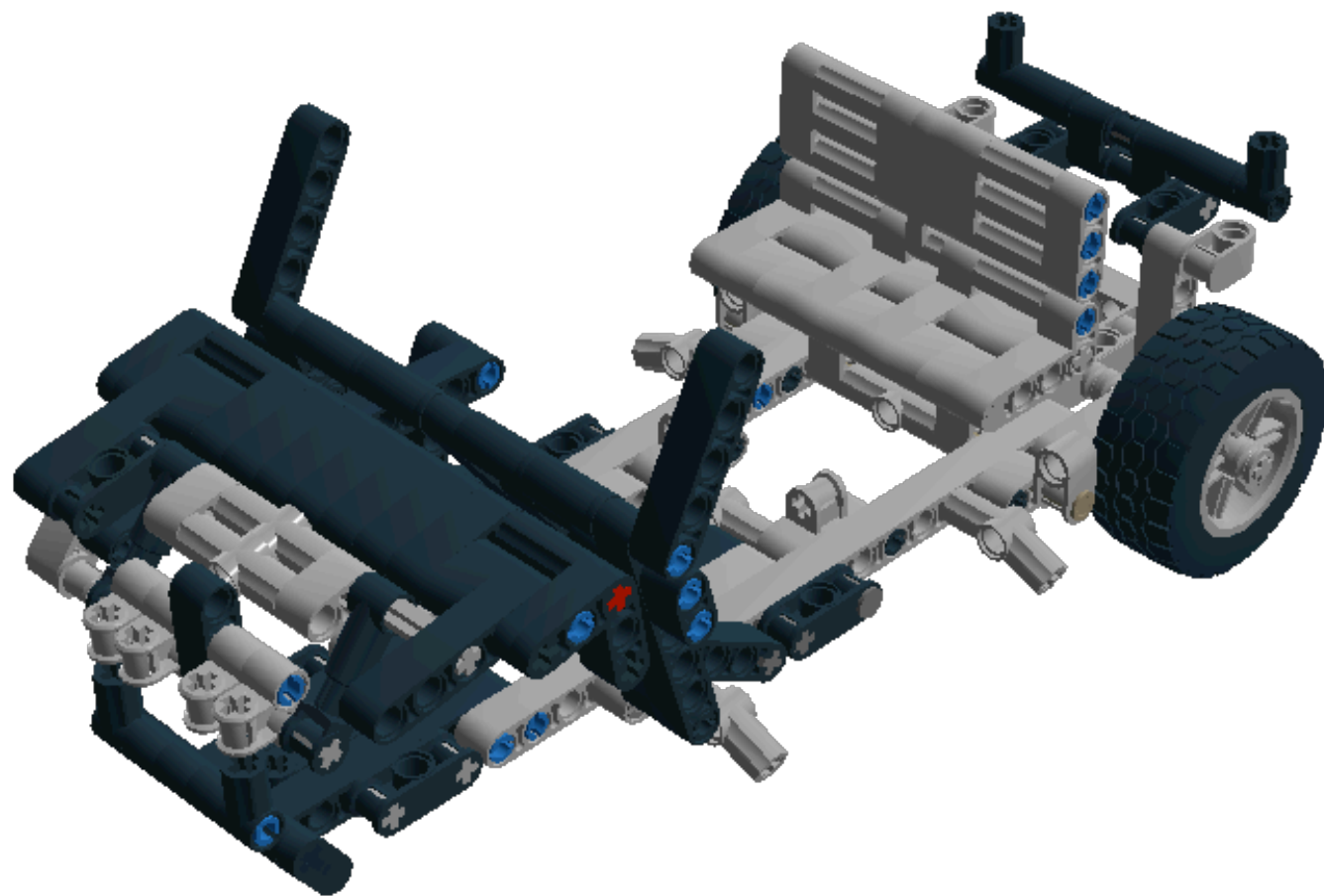
1 x



1 x

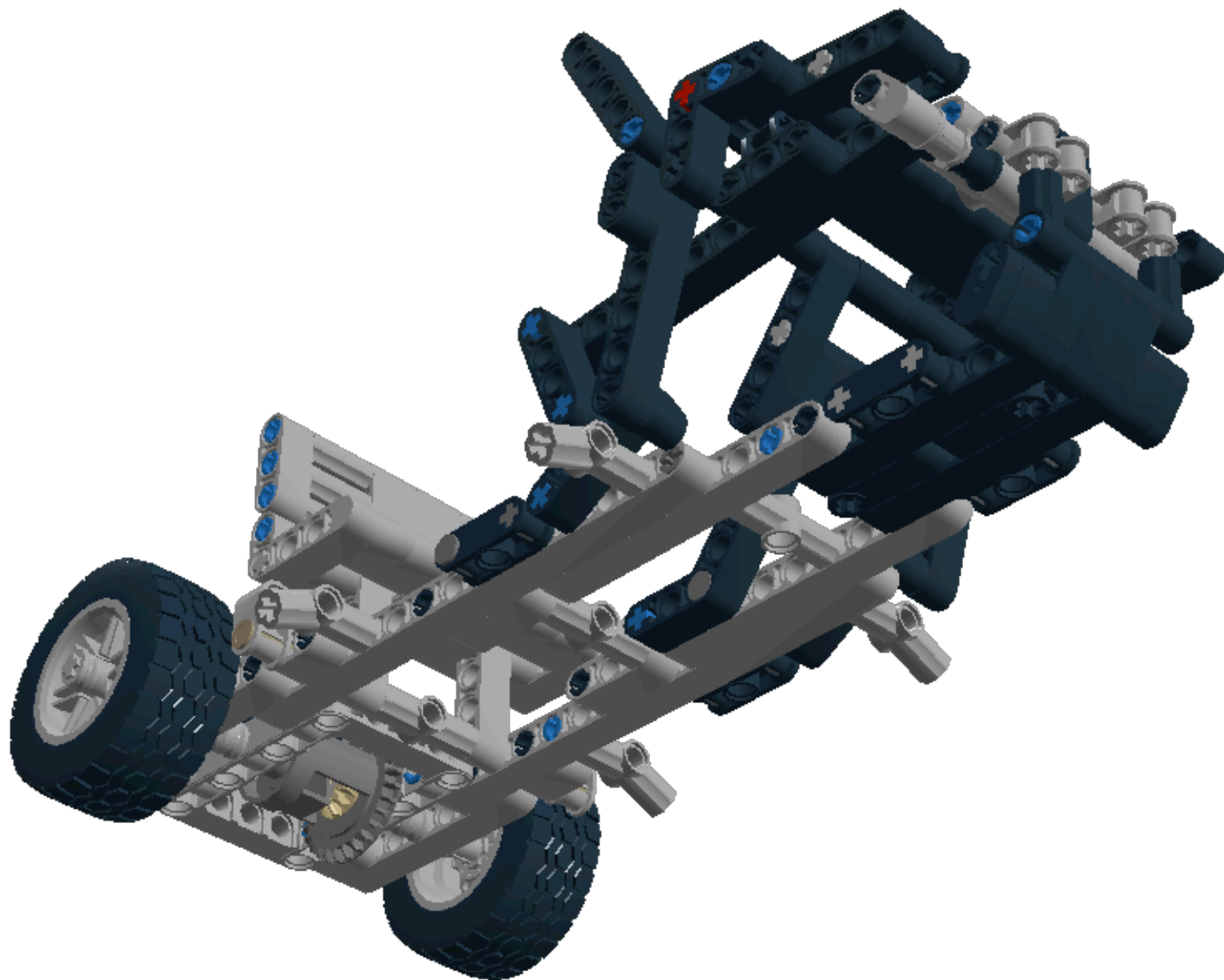


1 x



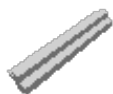
Step 311 of 319

1 x



Step 312 of 319

1 x

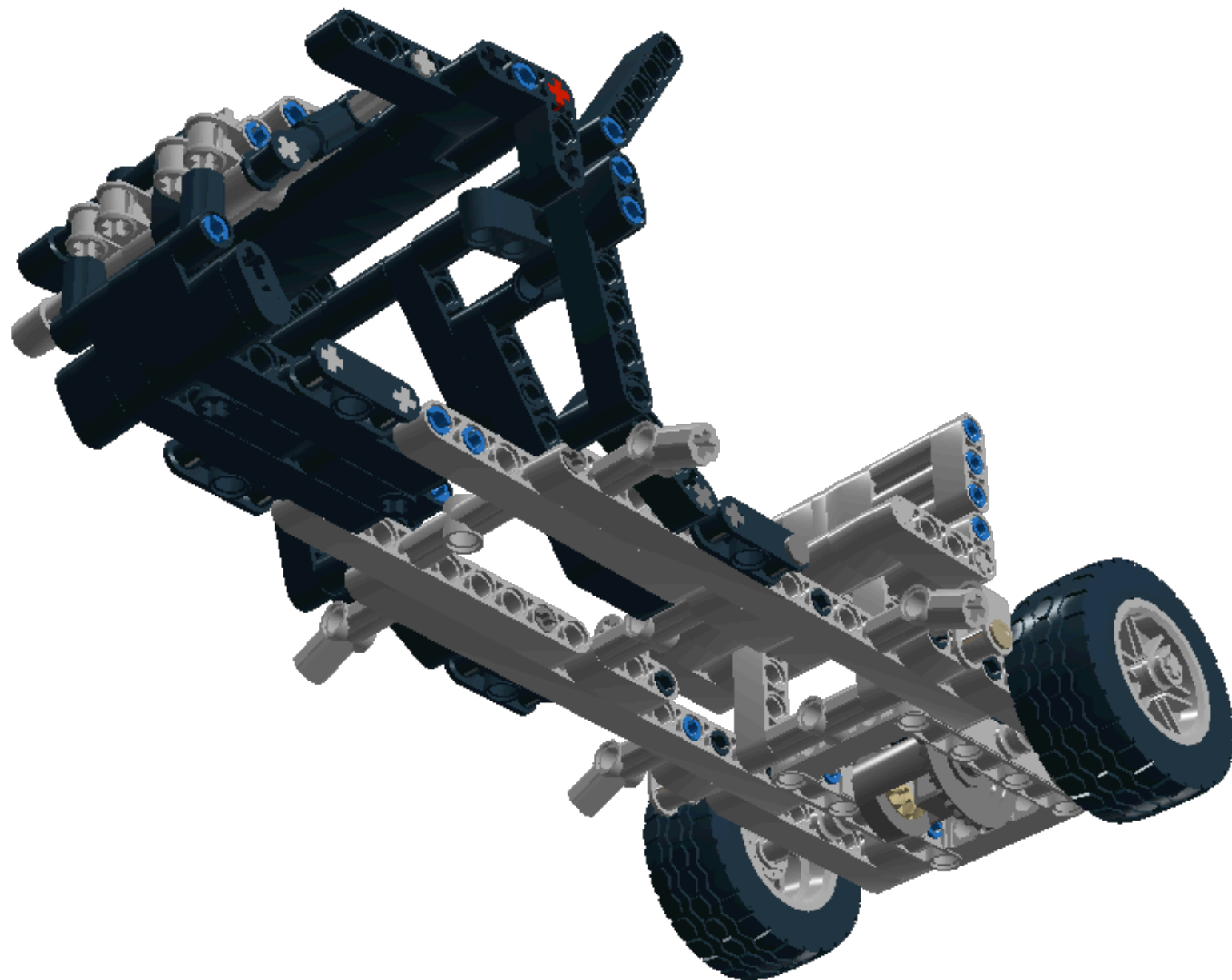


1 x



Step 313 of 319

1 x



Step 314 of 319

1 x



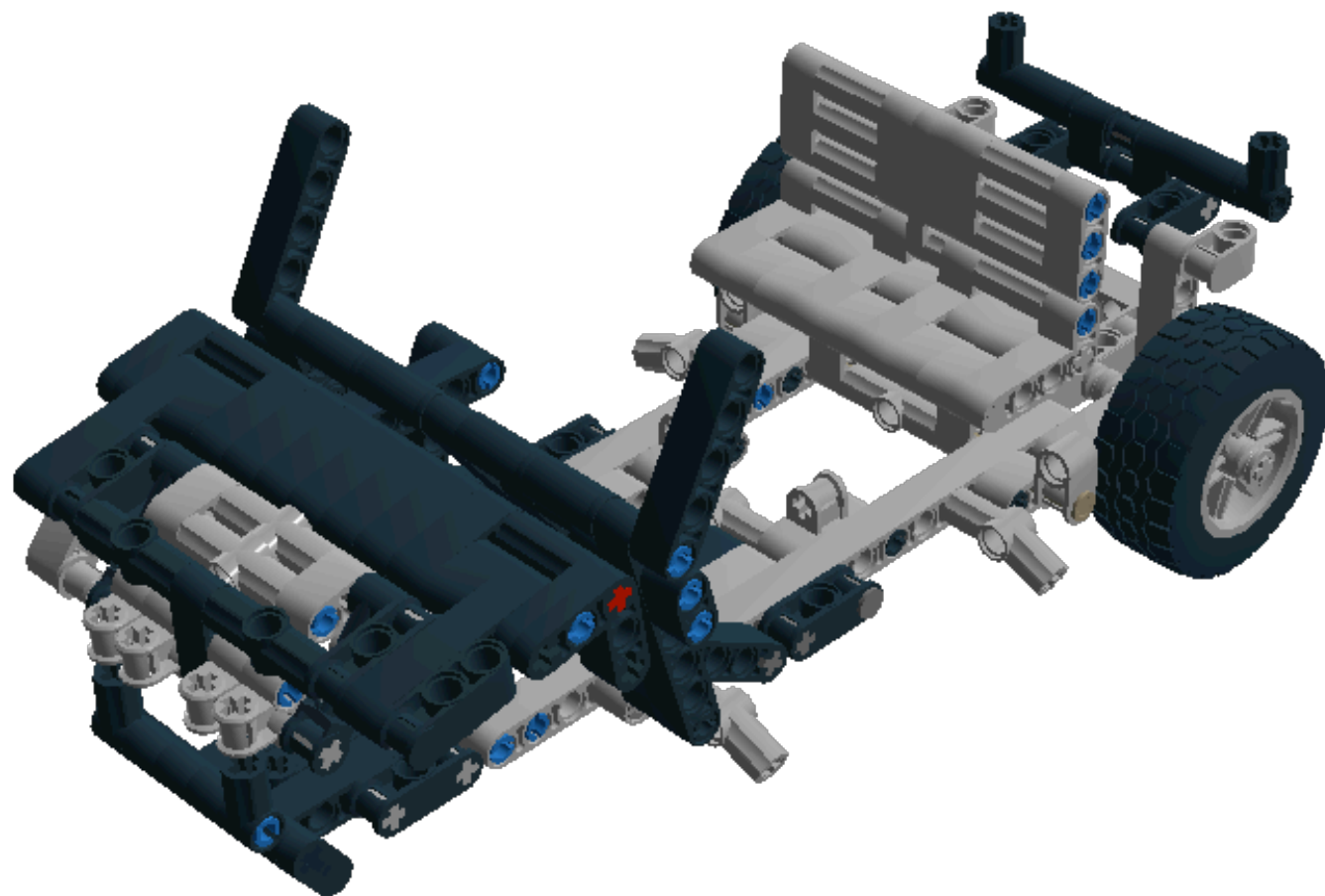
1 x



1 x



1 x

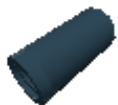


Step 315 of 319

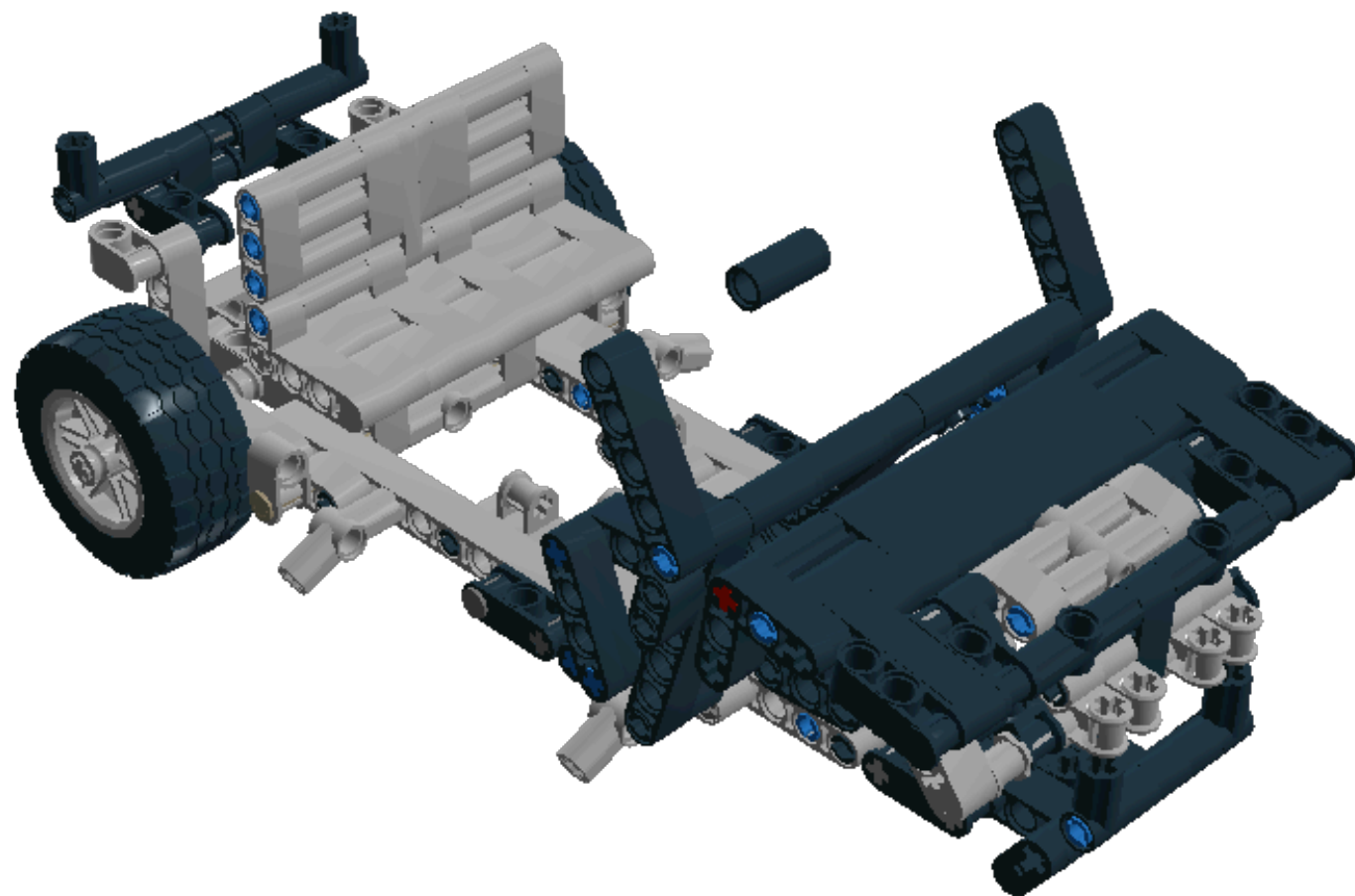
1 x



1 x



1 x

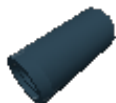


Step 316 of 319

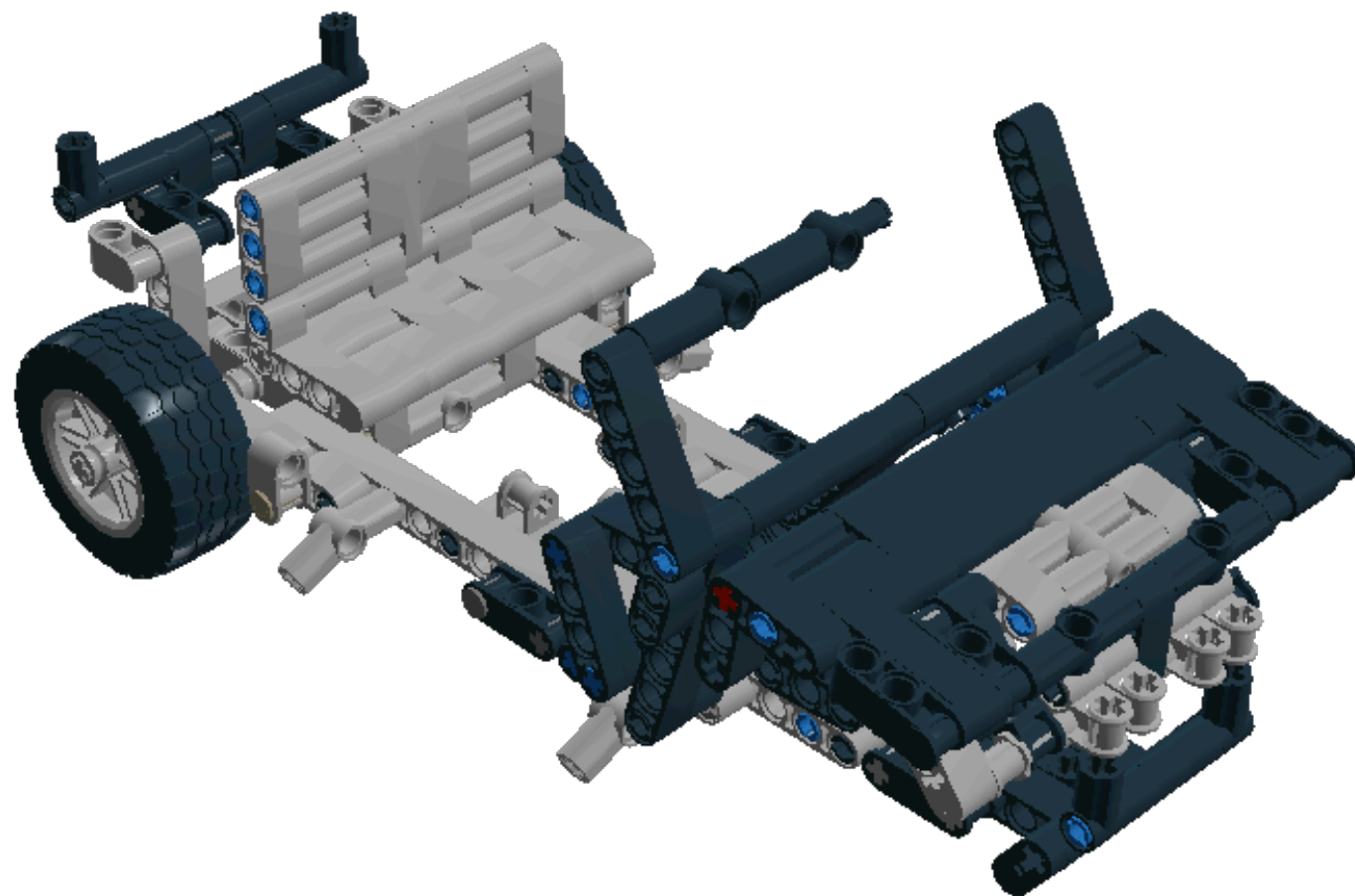
1 x



1 x



2 x

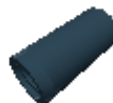


Step 317 of 319

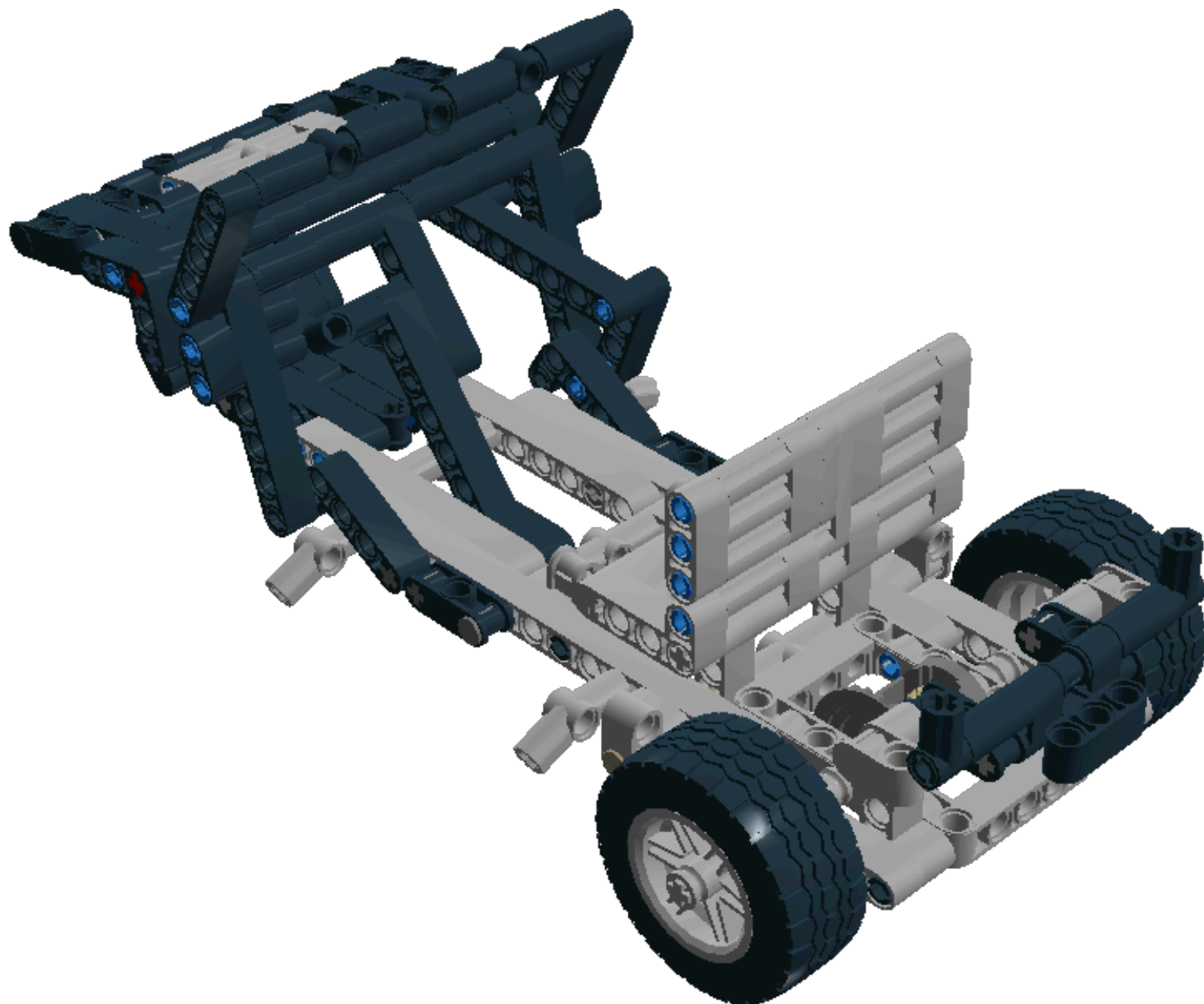
1 x

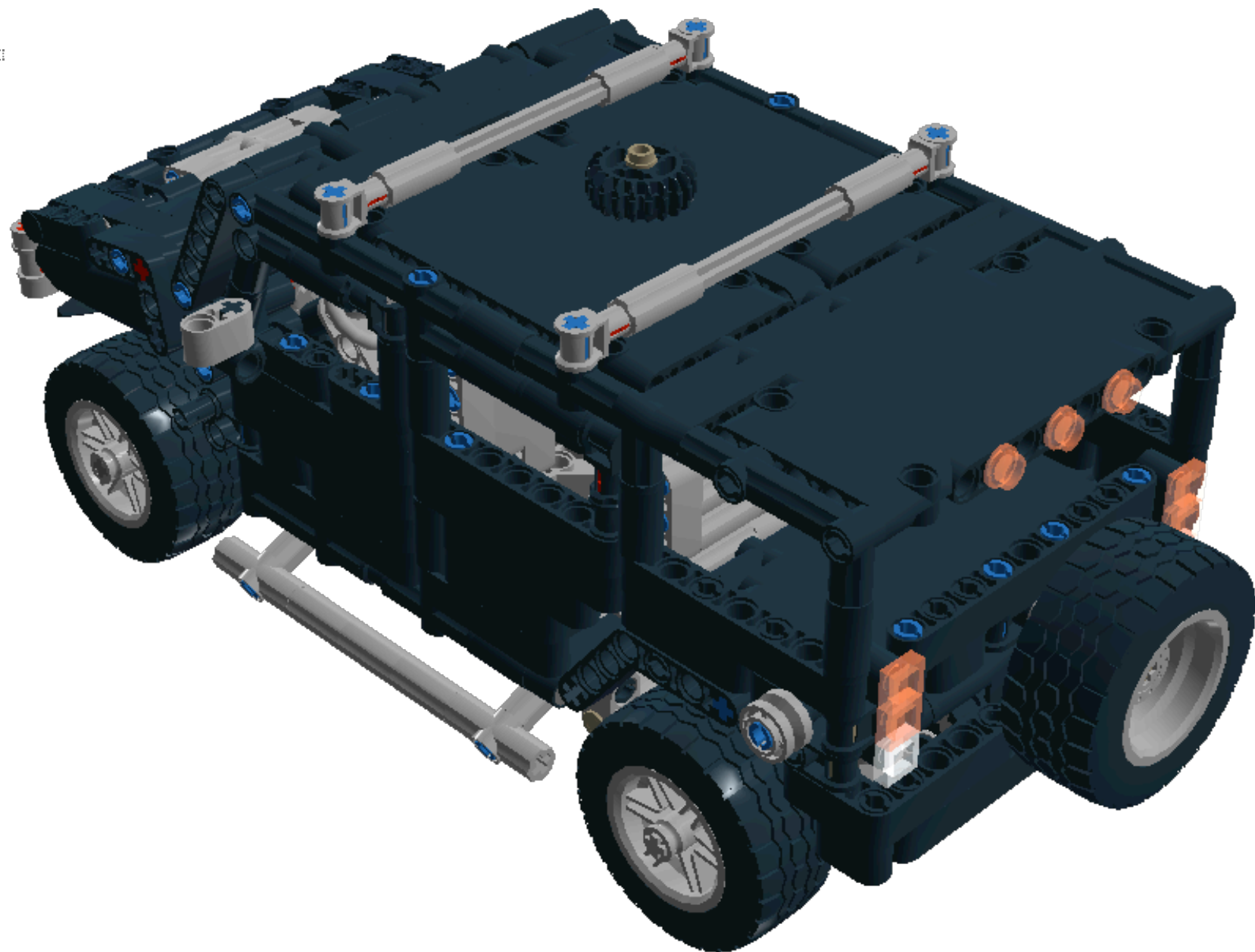


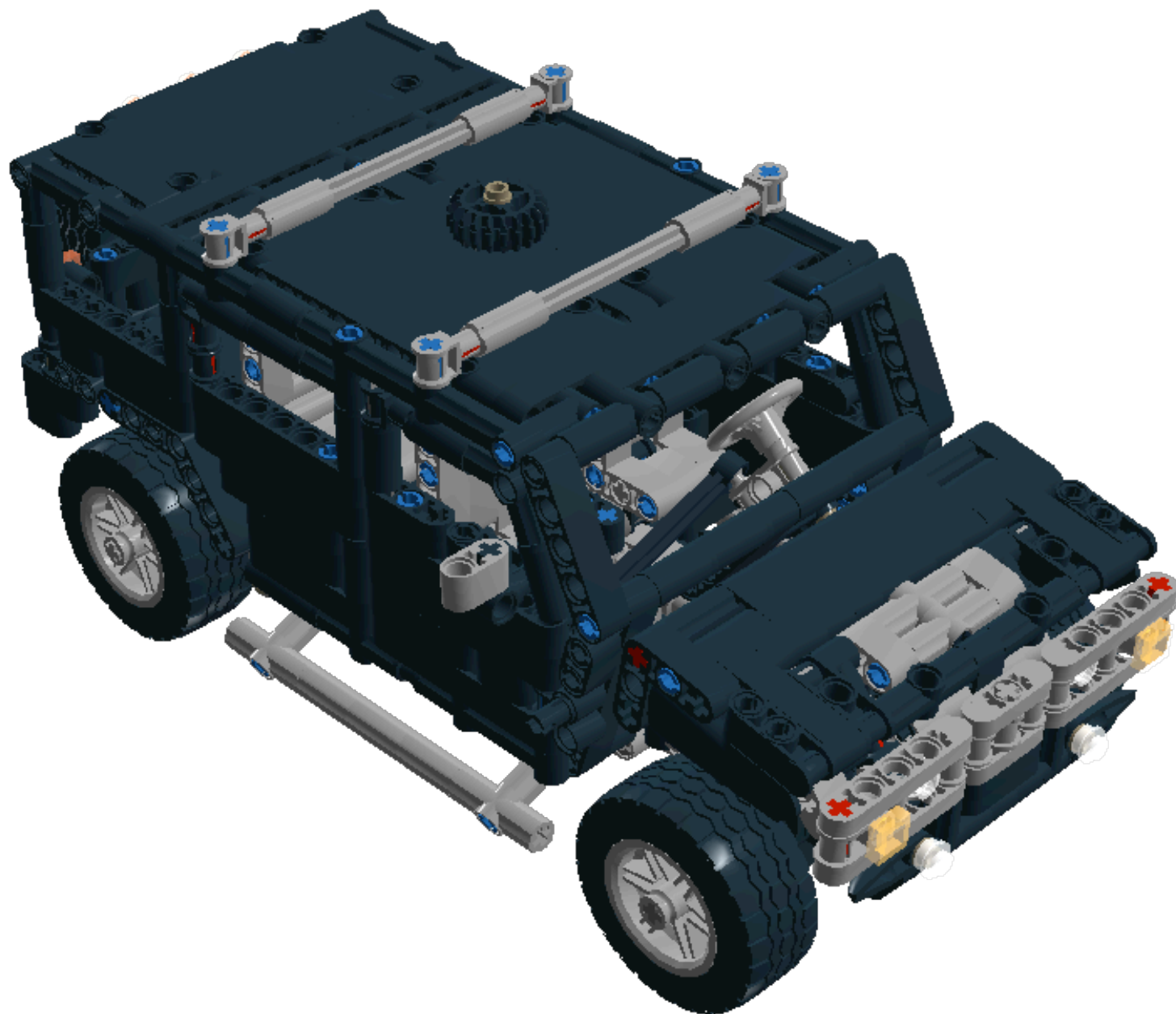
2 x





1 x









2 x  302410 PLATE 1X1 - Transparent


4 x  302441 PLATE 1X1 - Tr. Red

2 x  4262660 PLATE 1X1 - Tr. Bright Orange

4 x  614140 PLATE 1X1 ROUND - Transparent

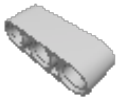
3 x  614141 PLATE 1X1 ROUND - Tr. Red

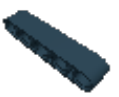
5 x  4297210 RIM WIDE W.CROSS 30x20 - Medium Stone Grey

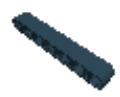
5 x  TYRE 49.53x20 TRUCK - Black

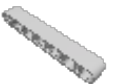
9 x  4177444 TECHNIC 2M BEAM - Black


9 x  4142822 TECHNIC 3M BEAM - Black


9 x  4211655 TECHNIC 3M BEAM - Medium Stone Grey


11 x  4140429 TECHNIC 5M BEAM - Black


15 x  3252426 TECHNIC 7M BEAM - Black


2 x  4211665 TECHNIC 7M BEAM - Medium Stone Grey


8 x  4120017 TECHNIC ANG. BEAM 4X2 90 DEG - Black


8 x  4211610 TECHNIC ANG. BEAM 4X2 90 DEG - Medium Stone Grey


3 x  4154767 TECHNIC 9M BEAM - Black


2 x  4156308 TECHNIC 9M BEAM - Medium Stone Grey


2 x  4156150 TECHNIC 11M BEAM - Black


2 x  4164422 TECHNIC 13M BEAM - Black


2 x  4211770 TECHNIC 15M BEAM - Medium Stone Grey


2 x  4142823 TECHNIC ANG. BEAM 3X5 90 DEG. - Black

6 x  4211713 TECHNIC ANG. BEAM 3X5 90 DEG. - Medium Stone Grey


2 x  4128593 TECHNIC ANGULAR BEAM 4X4 - Black


3 x  3227126 TECHNIC ANGULAR BEAM 3X7 - Black

4 x  4164133 TECHNIC LEVER 2M - Black


4 x  4211741 TECHNIC LEVER 2M - Medium Stone Grey

8 x  663226 TECHNIC LEVER 3M - Black


3 x  4211566 TECHNIC LEVER 3M - Medium Stone Grey


2 x  4142236 LEVER 1X4, WITHOUT NOTCH - Black


4 x  6029206 LEVER 5M - Medium Stone Grey

4 x  4143187 COMB WHEEL - Black


2 x  4211586 TECHNIC 6M HALF BEAM - Medium Stone Grey


1 x  4211561 TECHNIC LEVER 4M - Medium Stone Grey


4 x  4112287 TECHNIC LEVER 3X3M, 90° - Black


1 x  4128557 HALFBEAM CURVE 3X5 - Black


2 x  6009019 TRIANGEL - Medium Stone Grey


48 x  4211573 1/2 BUSH - Medium Stone Grey

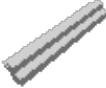
2 x  4211483 CONNECTOR PEG W. KNOB - Medium Stone Grey


58 x  4142865 2M CROSS AXLE W. GROOVE - Bright Red


2 x  4211375 BALL W. CROSS AXLE - Medium Stone Grey

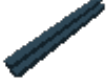
96 x  278026 CONNECTOR PEG W. FRICTION - Black

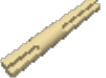
1 x  4211807 CONNECTOR PEG - Medium Stone Grey

19 x  4211815 CROSS AXLE 3M - Medium Stone Grey


12 x  4211622 BUSH FOR CROSS AXLE - Medium Stone Grey

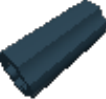
59 x  4189110 CONN.BUSH W.FRIC./CROSSALE - Bright Blue


7 x  370526 CROSS AXLE 4M - Black


1 x  4666999 KRYDSAKSEL M/STOP 4M - Brick Yellow


58 x  4514553 CONNECTOR PEG W. FRICTION 3M - Bright Blue


5 x  6015356 CON. BUSH 2M FR. + CROSS AXLE - Dark Stone Grey


4 x  4512363 CROSS AXLE, EXTENSION, 2M - Black


19 x  4512360 CROSS AXLE, EXTENSION, 2M - Medium Stone Grey


5 x  4566927 CROSSAXLE 3M WITH KNOB - Sand Yellow


19 x  4107085 ANGLE ELEMENT, 0 DEGREES [1] - Black


10 x  4107081 CATCH W. CROSS HOLE - Black

6 x  4211553 CATCH W. CROSS HOLE -
Medium Stone Grey


9 x  4211639 CROSS AXLE 5M - Medium
Stone Grey

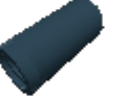
2 x  653626 CROSS BLOCK 90° - Black


8 x  4211775 CROSS BLOCK 90° -
Medium Stone Grey


1 x  4211758 HUB Ø11,2 X 7,84 - Medium
Stone Grey


6 x  4515185 BEAM 1X2 W/CROSS AND
HOLE - Black


19 x  4515184 BEAM 1X2 W/CROSS
AND HOLE - Medium
Stone Grey


34 x  75619 TUBE Ø7,84 2M - Black


5 x  370626 CROSS AXLE 6M - Black


10 x  4560177 CROSS AXLE 4M WITH
END STOP - Dark Stone
Grey


3 x  4107742 2M FRIC. SNAP W/CROSS
HOLE - Black


4 x  4211805 CROSS AXLE 7M - Medium
Stone Grey


4 x  6055631 CROSS AXLE 5M WITH
END STOP - Sand Yellow


12 x  4121667 DOUBLE CROSS BLOCK
- Black


2 x  4211621 DOUBLE CROSS BLOCK -
Medium Stone Grey


20 x  4107783 ANGLE ELEMENT, 180
DEGREES [2] - Black


9 x  4211567 ANGLE ELEMENT, 180
DEGREES [2] - Medium
Stone Grey


10 x  4173970 CROSS BLOCK 3M -
Black


4 x  4560174 DOUBLE BUSH 3M Ø4.9 - Black


4 x  4535768 CROSS AXLE 9M - Medium Stone Grey


1 x  4177961 TRACK ROD 6M, - Black


2 x  4525904 UNUNIVERSAL JOINT - Medium Stone Grey


1 x  373726 CROSS AXLE 10M - Black


2 x  6099801 BEAM 1M W. 2 CROSS AXLES 90° - Black


2 x  6005331 BEAM 1M W. 2 CROSS AXLES 90° - Dark Stone Grey


4 x  4107767 ANGLE ELEMENT, 90 DEGREES [6] - Black


2 x  4140430 TECHNIC CROSS BLOCK 2X1 - Black


4 x  4211629 TECHNIC CROSS BLOCK 2X1 - Medium Stone Grey


1 x  370826 CROSS AXLE 12M - Black


4 x  4211552 ANGLE ELEMENT, 157,5 DEGR. [3] - Medium Stone Grey


2 x  4107084 ANGLE ELEMENT, 112,5 DEGR. [5] - Black


2 x  4121610 ANGLE ELEMENT 135 DEG. [4] - Black


1 x  4143466 TECHNIC CROSSBLOCK 2X3 - Black


4 x  6007966 CROSS BLOCK 3X2 - Black


2 x  4538007 CROSS BLOCK 3X2 - Medium Stone Grey


2 x  4610371 CROSS BLOCK/FORM 2X2X2 - Black


2 x  4225033 BEAM 3 M. W/4 SNAPS -
Medium Stone Grey


1 x  4211578 STEERING WHEEL Ø24 -
Medium Stone Grey


1 x  4539880 BEAM FRAME 5X7 Ø 4.85 -
Medium Stone Grey

4 x  4566243 FLAT PANEL - Black


3 x  4140445 CONICAL WHEEL Z12 -
Brick Yellow


1 x  4177431 DOUBLE CONICAL WHEEL
Z12 1M - Black

1 x  4562009 RACK 7 M - Black

3 x  6093977 DOUBLE CONICAL WHEEL
Z20 1M - Black

1 x  4525184 DIFFERENTIALE 3M Z 28 -
Dark Stone Grey

2 x  4177441 BION. EYE - Black

1 x  6023036 RIGHT PANEL 2X5 (N0 21)
- Black

1 x  6022761 LEFT PANEL 2X5 (NR 22) -
Black